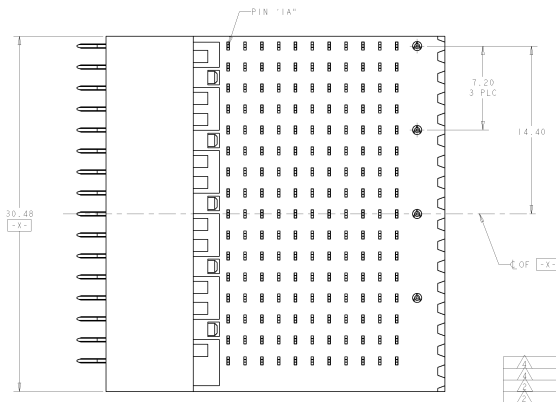
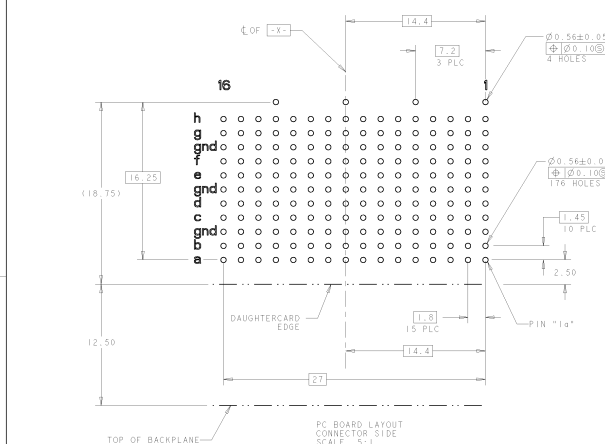
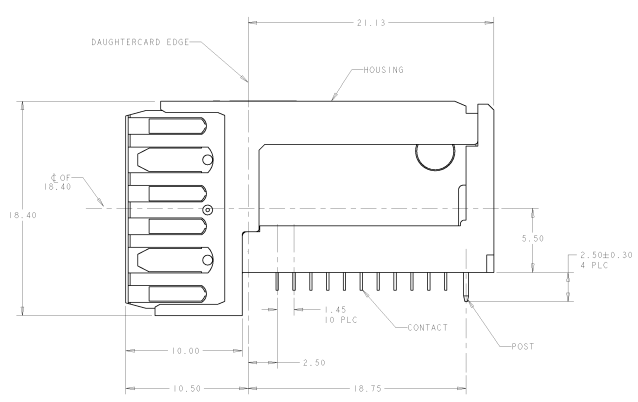
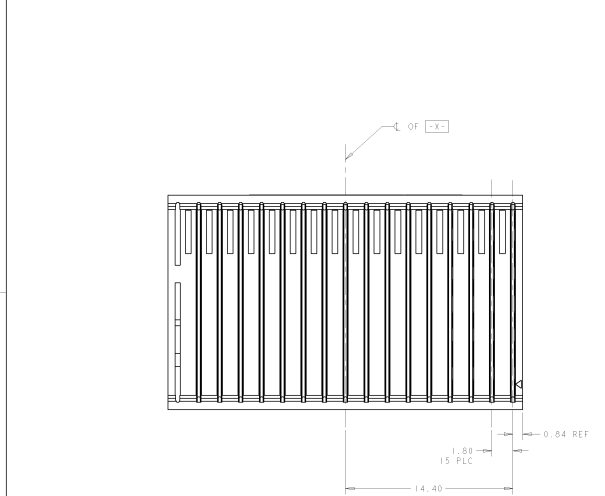


REV	DATE	DESCRIPTION
1	01/11/2007	REVISED FOR PRODUCTION
2	01/11/2007	REVISED FOR PRODUCTION

REV	DATE	DESCRIPTION	BY	CHK	APP
1	01/11/2007	REVISED FOR PRODUCTION	DAVID	DAVID	DAVID
2	01/11/2007	REVISED FOR PRODUCTION	DAVID	DAVID	DAVID



- △ HOUSING: LCP, UL94V-0, BLACK.
CONTACT: PHOSPHOR BRONZE.
POST: BRASS WIRE.
- △ CONTACT: 0.76 μm GOLD PER ASTM B 488 IN CONTACT AREA.
ON PCB TAIL:
1.27 μm MIN TIN-LEAD
OVER 1.27 μm MIN NICKEL PER
SAE AMS-00-N-230 OVER ALL.
POST: 1.27 μm MIN NICKEL.
- △ MANUFACTURING TOLERANCE FOR A Ø 0.56±0.05 FINISHED HOLE.
DRILLED HOLE: Ø 0.65±0.02
COPPER PLATE: 0.050±0.025
TIN/LEAD PLATE: 0.0124±0.0038
- △ CONTACT: 0.76 μm GOLD PER ASTM B 488 IN CONTACT AREA.
ON PCB TAIL:
1.27 μm MIN MATTE TIN PER ASTM B 545
OVER 0.27 μm MIN NICKEL PER
SAE AMS-00-N-230 OVER ALL.
POST: 1.27 μm MIN NICKEL.
- △ MANUFACTURING TOLERANCE FOR A Ø 0.573±0.145 FINISHED HOLE WITHOUT TIN LEAD PLATING.
DRILLED HOLE: Ø 0.65 ±0.02
COPPER PLATING: 0.025 ± 0.050

DESCRIPTION	PART NO
DIFFERENTIAL, NONSEQUENTIAL	1410207-4
SINGLE END, NONSEQUENTIAL	1410207-3
DIFFERENTIAL, NONSEQUENTIAL	1410207-2
SINGLE END, NONSEQUENTIAL	1410207-1

RIGHT ANGLE PLUG ASSEMBLY RIGHT END, FULL, 20 Pin, Multigig 871 DAUGHTERCARD CONNECTOR	PART 1 ENG DRG (REVISED) A 00778 C-1410207
DATE: 2/16/2007 REV: 002 108-2002 108-13056	CUSTOMER DRAWING: 1410207-1