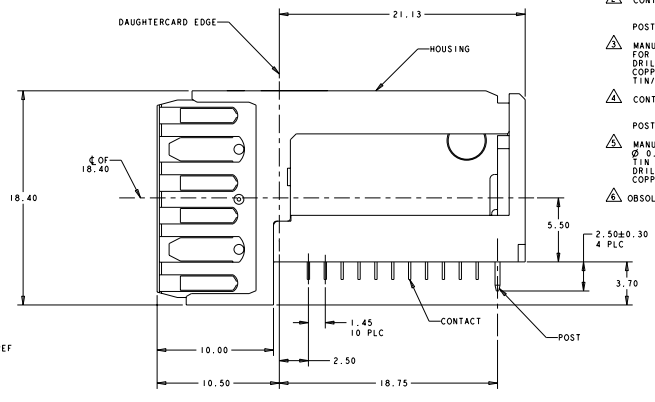
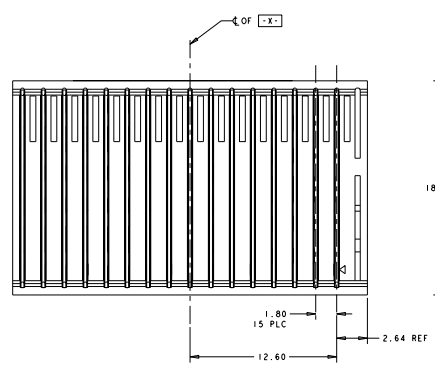
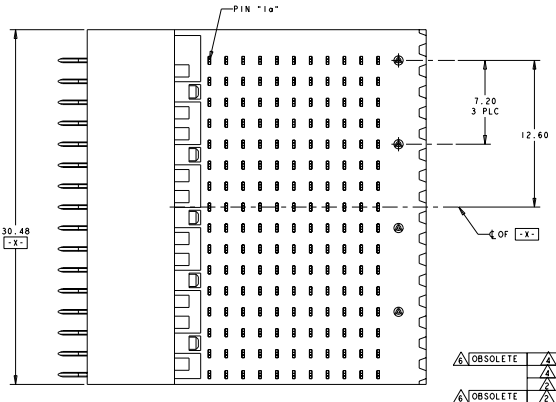
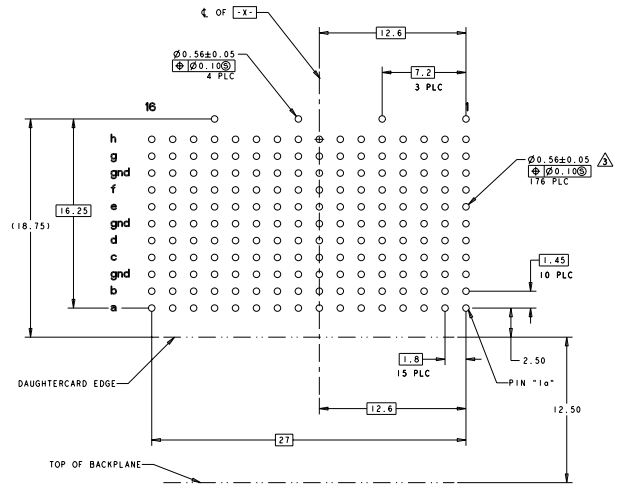


DATE: 02/28/2018 BY: PCB ELECTRONICS CORPORATION ALL RIGHTS RESERVED
 REVISIONS FOR FABRICATION

REV	DATE	REVISIONS	BY	CHK	APP
A	EC 0512-0341-04		PLM/DBM	DB	GG
A1	REVISED PER ECO-99-025699		ZHONGHOU	KK	AEQ



- △ HOUSING: LCP, UL94V-0, BLACK.
CONTACT: PHOSPHOR BRONZE.
POST: BRASS WIRE.
- △ CONTACT: 0.76 µm GOLD PER ASTM B 488 IN CONTACT AREA.
1.27 µm MIN TIN-LEAD ON PCB TAIL.
OVER 1.27 µm MIN NICKEL PER SAE AMS-QQ-N-290 OVER ALL.
POST: 1.27 µm MIN NICKEL.
- △ MANUFACTURING TOLERANCE FOR A Ø0.56±0.05 FINISHED HOLE.
DRILLED HOLE: Ø0.65±0.02
COPPER PLATE: 0.050±0.025
TIN/LEAD PLATE: 0.0124±0.0038
- △ CONTACT: 0.76 µm GOLD PER ASTM B 488 IN CONTACT AREA.
1.27 µm MIN MATTE TIN PER ASTM B 545 ON PCB TAIL.
OVER 1.27 µm MIN NICKEL PER SAE AMS-QQ-N-290 OVER ALL.
POST: 1.27 µm MIN NICKEL.
- △ MANUFACTURING TOLERANCE FOR A Ø0.575±0.045 FINISHED HOLE WITHOUT TIN LEAD PLATING:
DRILLED HOLE: Ø0.65±0.02
COPPER PLATING: 0.025 ± 0.050
- △ OBSOLETE PARTS: OBSOLETE CIS STREAMLINING PER D.RENAUD/D.SINISI



△ OBSOLETE	△	△	DESCRIPTION	PART NO
			DIFFERENTIAL, NONSEQUENTIAL	1410206-4
			SINGLE END, NONSEQUENTIAL	1410206-3
			DIFFERENTIAL, NONSEQUENTIAL	1410206-2
			SINGLE END, NONSEQUENTIAL	1410206-1

DATE: 02/28/2018 BY: PCB ELECTRONICS CORPORATION ALL RIGHTS RESERVED		20FEB2003 20FEB2003 20FEB2003 188-2812 116-13056	Stamps Tyco Electronics Corporation Harrisburg, PA 17105-3600 RIGHT ANGLE PLUG ASSEMBLY, LEFT END, FULL 20, 3mm, Multi I/G RT 1, DAUGHTERCARD CONNECTOR	1410206 00778 1410206
SHEET NO: 1 OF 1	DATE: 02/28/2018	DRAWN BY: J. J. ... CHECKED BY: ...	CUSTOMER DRAWING	SCALE: 6:1

444 000 REV 01/2002/06