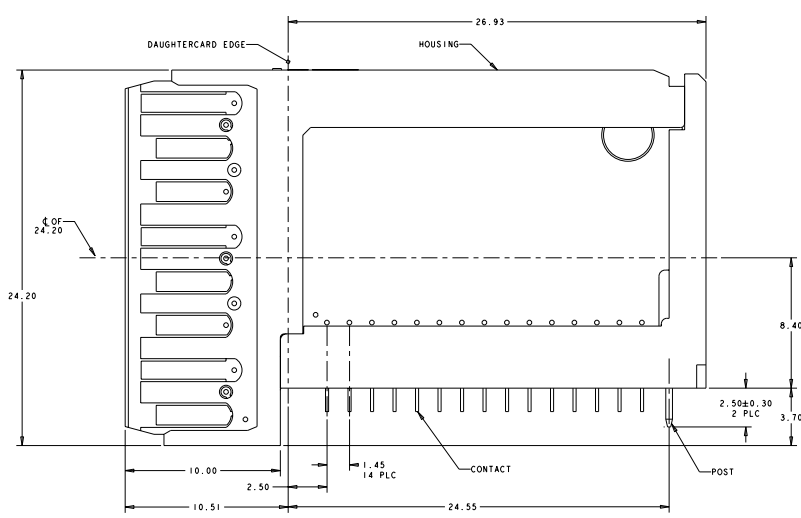
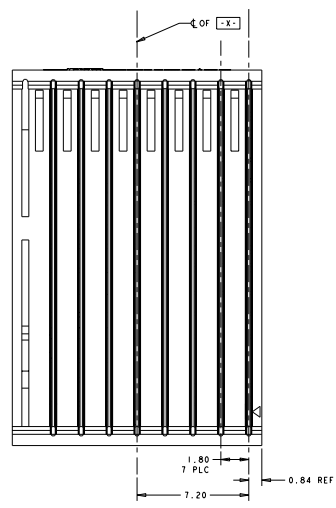
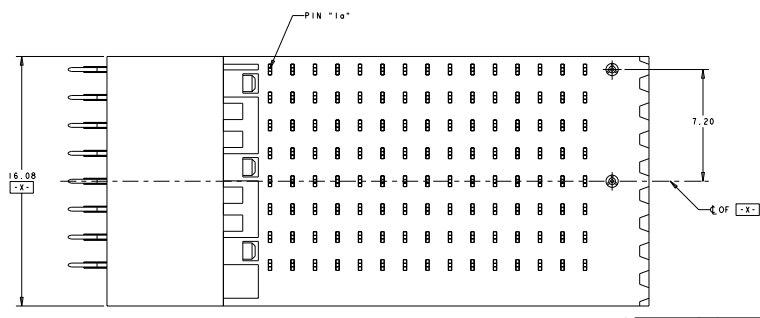
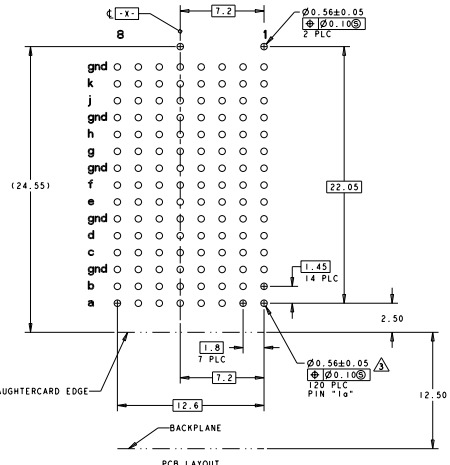


REV	DATE	DESCRIPTION	BY	CHK	APP
A	EC 0512-0341-04		PLM2004	BM	GG
A1	REVISED PER ECO-09-025699		DMC2009	KK	AEQ



- △ HOUSING: LCP, UL94V-0, BLACK. CONTACT: PHOSPHOR BRONZE. POST: BRASS WIRE.
- △ CONTACT: 0.76 μm GOLD PER ASTM B 488 IN CONTACT AREA. 1.27 μm MIN TIN-LEAD ON PCB TAIL. OVER 1.27 μm MIN NICKEL PER SAE AMS-00-N-290 OVER ALL. POST: 1.27 μm MIN NICKEL.
- △ MANUFACTURING TOLERANCE FOR A Ø 0.56±0.05 FINISHED HOLE. DRILLED HOLE: Ø 0.65±0.02. COPPER PLATE: 0.050-0.025. TIN/LEAD PLATE: 0.0124-0.0038.
- △ CONTACT: 0.76 μm GOLD PER ASTM B 488 IN CONTACT AREA. 1.27 μm MIN MATTE TIN PER ASTM B 545 ON PCB TAIL. OVER 1.27 μm MIN NICKEL PER SAE AMS-00-N-290 OVER ALL. POST: 1.27 μm MIN NICKEL.
- △ MANUFACTURING TOLERANCE FOR A Ø 0.575 ±0.045 FINISHED HOLE WITHOUT TIN LEAD PLATING: DRILLED HOLE: Ø 0.65 ±0.02. COPPER PLATING: 0.025 - 0.050.
- △ OBSOLETE PARTS: OBSOLETE CIS STREAMLINING PER D.RENAUD/D.SINISI



DESCRIPTION	PART NUMBER
DIFFERENTIAL, NONSEQUENTIAL	1410233-4
SINGLE END, NONSEQUENTIAL	1410233-3
DIFFERENTIAL, NONSEQUENTIAL	1410233-2
SINGLE END, NONSEQUENTIAL	1410233-1

CONTACT TAIL/ HOLE FINISH

DATE: 05/12/2017	DATE: 05/12/2017	DATE: 05/12/2017
DESIGNED BY: PLM2004	DESIGNED BY: PLM2004	DESIGNED BY: PLM2004
DATE: 05/12/2017	DATE: 05/12/2017	DATE: 05/12/2017
DESIGNED BY: PLM2004	DESIGNED BY: PLM2004	DESIGNED BY: PLM2004
DATE: 05/12/2017	DATE: 05/12/2017	DATE: 05/12/2017
DESIGNED BY: PLM2004	DESIGNED BY: PLM2004	DESIGNED BY: PLM2004

RIGHT ANGLE, PLUG ASSEMBLY, RIGHT END, HALF, 25.4mm MultiGig RT1 DAUGHTERCARD CONNECTOR

SCALE: 6:1

CUSTOMER DRAWING