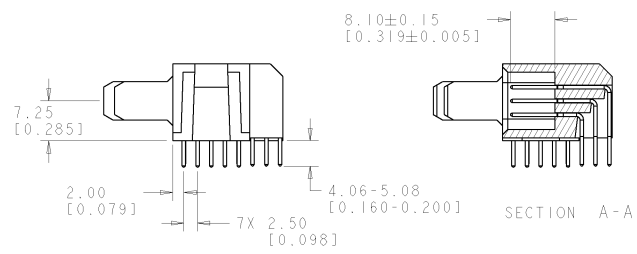


REV	DATE	BY	CHKD	APPD
A	NEW RELEASE			

- PART NUMBER CHANGES AND OR DESIGN CHANGES AFFECTING ITEM INTERCHANGEABILITY REQUIRE PRIOR TYCO APPROVAL AND AUTHORIZATION BY REVISION TO THIS DRAWING.
- MATERIAL:
 - INSULATORS - THERMOPLASTIC, GLASS REINFORCED, COLOR: BLACK
 - UL94V-0 FLAMMABILITY RATED.
 - POWER CONTACTS - PHOSPHOR BRONZE ALLOY, COPPER ALLOY
 - SIGNAL CONTACTS - BRASS ALLOY
- FINISH:
 - CONTACTS - GOLD PLATE 0.76µm MIN. THK. OVER NICKEL
 - 1.27µm MIN. THK.
 - SOLDER TAILS, TIN 3.05µm MIN. THK. OVER 1.27µm MIN. THK. NICKEL.

△ ITEMS PROVIDED TO THIS SPECIFICATION TO BE PERMANENTLY IDENTIFIED PER THE FOLLOWING IDENTIFIER LABEL

TYCO PART NO. XXXXXXXX-X DATE CODE (e.g. 0106) YEAR WEEK



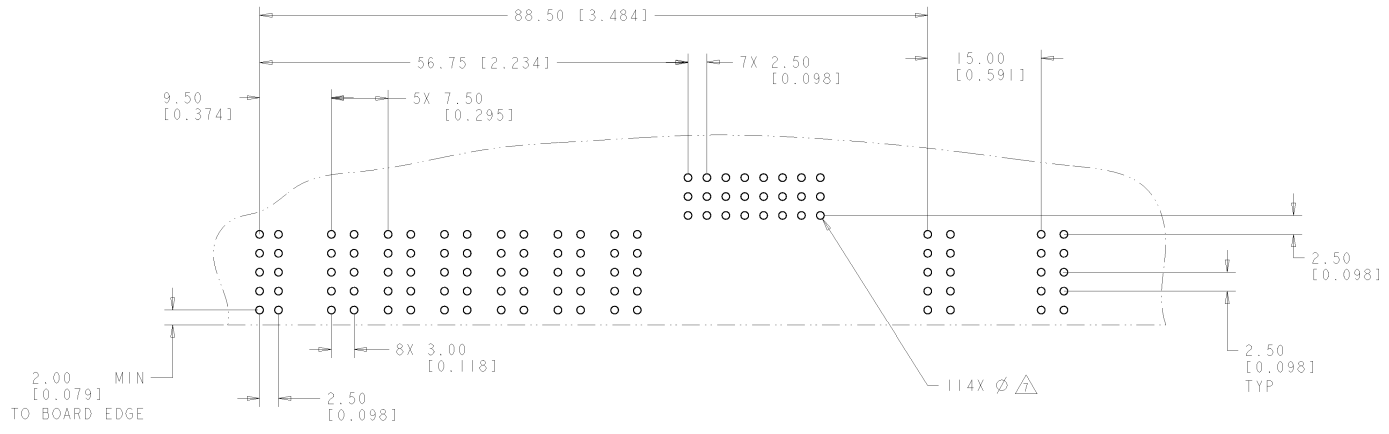
ELCON FLATPAQ

AS SHOWN		6646900-1	
DESCRIPTION		PART NUMBER	
CONNECTOR, PIN, RIGHT ANGLE SOLDER TAILS FLATPAQ		tyco Electronics Tyco Electronics Harrisburg, PA 17105-3400	
DATE	REV	SIZE	RESTRICTED TO
02MAR07	02MAR07	A200779	6646900
CUSTOMER DRAWING		SCALE	SHEET
		3:1	1 OF 3

AMP 1471-8 REV 20MAR2000
PFA/ENGINEER DRAWING

THIS DRAWING IS UNPUBLISHED. RELEASED FOR PUBLICATION BY TYCO ELECTRONICS CORPORATION. ALL RIGHTS RESERVED.

REV. NO.	DATE	BY	APP'D.	DESCRIPTION
00				SEE SHEET 1



PRINTED CIRCUIT LAYOUT
COMPONENT SIDE

CONNECTOR	CATALOG MODULE #	QTY	SIZE NO.	CONTACT QTY	MATING PIN	MAX. CURRENT (PER CONTACT)	CONTACT SPACING	VOLTAGE RATING
PIN	FP105	5	8	10	1.25 X 7.00 [1.049 X .276]	35 amps	7.50 [1.2953]	250
	FP106	3	8	6	1.25 X 7.00 [1.049 X .276]	35 amps	7.50 [1.2953]	250
	FP302	1	22	24	.64 SQ. [0.025]	3 amp	2.50 [0.0984]	125
	FP516	RIGHT ANGLE GUIDE SOCKET						

ELCON FLATPAQ

DIMENSIONS: mm (INCHES) 0 PLC ±.010 1 PLC ±.012 2 PLC ±.015 3 PLC ±.020 4 PLC ±.025 5 PLC ±.030 ANGLES ±.5		FINISH: - WEIGHT: - CUSTOMER DRAWING: -		DWG: R. GRZYBOWSKI CHK: P. DAMATO APP'D: R. P. K. LINGER DATE: 02MAY07 BY: 02MAY07		tyco Electronics Harrisburg, PA 17105-3400		CONNECTOR, PIN, RIGHT ANGLE SOLDER TAILS FLATPAQ		SIZE: A200779 CASE CODE: - DRAWING NO: 6646900 RESTRICTED TO: -	
SCALE: 3:1				SHEET: 2 OF 3		REV: A					

AMP 1471-9 REV 30MAR2000

4

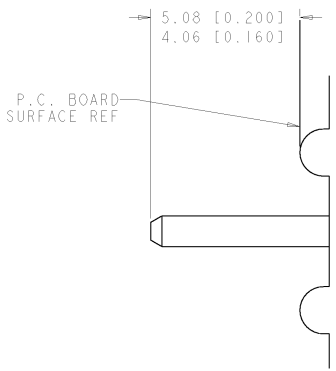
3

2

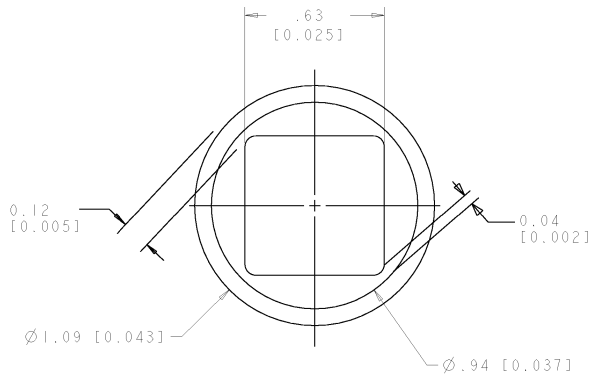
1

THIS DRAWING IS UNPUBLISHED. RELEASED FOR PUBLICATION BY TICO ELECTRONICS CORPORATION. ALL RIGHTS RESERVED.

REV	DATE	BY	DESCRIPTION
00			SEE SHEET 1



6. SOLDER TAIL DETAIL
SCALE 10 : 1



△ SOLDER TERMINATION AREA
SCALE 40:1
RECOMMENDED PRINTED CIRCUIT HOLE
SOLDER HOLE
FINISHED HOLE: $\varnothing 1.02 [0.040] \pm .008 [0.0003]$
DRILLED HOLE: $\varnothing 1.15 [0.0453] \pm .013 [0.0005]$
COPPER PLATE: .025 [0.0010] MIN
TIN PLATE: .008 [0.0003] MIN. (PER SURFACE)

ELCON FLATPAQ

DIMENSIONS: mm (INCHES)		DIMENSIONS: mm (INCHES)		DIMENSIONS: mm (INCHES)		DIMENSIONS: mm (INCHES)	
Ø	PLC	±	PLC	±	PLC	±	PLC
1	PLC	±	PLC	±	PLC	±	PLC
2	PLC	±	PLC	±	PLC	±	PLC
3	PLC	±	PLC	±	PLC	±	PLC
4	PLC	±	PLC	±	PLC	±	PLC
5	PLC	±	PLC	±	PLC	±	PLC
6	PLC	±	PLC	±	PLC	±	PLC
7	PLC	±	PLC	±	PLC	±	PLC
8	PLC	±	PLC	±	PLC	±	PLC
9	PLC	±	PLC	±	PLC	±	PLC
10	PLC	±	PLC	±	PLC	±	PLC
11	PLC	±	PLC	±	PLC	±	PLC
12	PLC	±	PLC	±	PLC	±	PLC
13	PLC	±	PLC	±	PLC	±	PLC
14	PLC	±	PLC	±	PLC	±	PLC
15	PLC	±	PLC	±	PLC	±	PLC
16	PLC	±	PLC	±	PLC	±	PLC
17	PLC	±	PLC	±	PLC	±	PLC
18	PLC	±	PLC	±	PLC	±	PLC
19	PLC	±	PLC	±	PLC	±	PLC
20	PLC	±	PLC	±	PLC	±	PLC
21	PLC	±	PLC	±	PLC	±	PLC
22	PLC	±	PLC	±	PLC	±	PLC
23	PLC	±	PLC	±	PLC	±	PLC
24	PLC	±	PLC	±	PLC	±	PLC
25	PLC	±	PLC	±	PLC	±	PLC
26	PLC	±	PLC	±	PLC	±	PLC
27	PLC	±	PLC	±	PLC	±	PLC
28	PLC	±	PLC	±	PLC	±	PLC
29	PLC	±	PLC	±	PLC	±	PLC
30	PLC	±	PLC	±	PLC	±	PLC
31	PLC	±	PLC	±	PLC	±	PLC
32	PLC	±	PLC	±	PLC	±	PLC
33	PLC	±	PLC	±	PLC	±	PLC
34	PLC	±	PLC	±	PLC	±	PLC
35	PLC	±	PLC	±	PLC	±	PLC
36	PLC	±	PLC	±	PLC	±	PLC
37	PLC	±	PLC	±	PLC	±	PLC
38	PLC	±	PLC	±	PLC	±	PLC
39	PLC	±	PLC	±	PLC	±	PLC
40	PLC	±	PLC	±	PLC	±	PLC
41	PLC	±	PLC	±	PLC	±	PLC
42	PLC	±	PLC	±	PLC	±	PLC
43	PLC	±	PLC	±	PLC	±	PLC
44	PLC	±	PLC	±	PLC	±	PLC
45	PLC	±	PLC	±	PLC	±	PLC
46	PLC	±	PLC	±	PLC	±	PLC
47	PLC	±	PLC	±	PLC	±	PLC
48	PLC	±	PLC	±	PLC	±	PLC
49	PLC	±	PLC	±	PLC	±	PLC
50	PLC	±	PLC	±	PLC	±	PLC
51	PLC	±	PLC	±	PLC	±	PLC
52	PLC	±	PLC	±	PLC	±	PLC
53	PLC	±	PLC	±	PLC	±	PLC
54	PLC	±	PLC	±	PLC	±	PLC
55	PLC	±	PLC	±	PLC	±	PLC
56	PLC	±	PLC	±	PLC	±	PLC
57	PLC	±	PLC	±	PLC	±	PLC
58	PLC	±	PLC	±	PLC	±	PLC
59	PLC	±	PLC	±	PLC	±	PLC
60	PLC	±	PLC	±	PLC	±	PLC
61	PLC	±	PLC	±	PLC	±	PLC
62	PLC	±	PLC	±	PLC	±	PLC
63	PLC	±	PLC	±	PLC	±	PLC
64	PLC	±	PLC	±	PLC	±	PLC
65	PLC	±	PLC	±	PLC	±	PLC
66	PLC	±	PLC	±	PLC	±	PLC
67	PLC	±	PLC	±	PLC	±	PLC
68	PLC	±	PLC	±	PLC	±	PLC
69	PLC	±	PLC	±	PLC	±	PLC
70	PLC	±	PLC	±	PLC	±	PLC
71	PLC	±	PLC	±	PLC	±	PLC
72	PLC	±	PLC	±	PLC	±	PLC
73	PLC	±	PLC	±	PLC	±	PLC
74	PLC	±	PLC	±	PLC	±	PLC
75	PLC	±	PLC	±	PLC	±	PLC
76	PLC	±	PLC	±	PLC	±	PLC
77	PLC	±	PLC	±	PLC	±	PLC
78	PLC	±	PLC	±	PLC	±	PLC
79	PLC	±	PLC	±	PLC	±	PLC
80	PLC	±	PLC	±	PLC	±	PLC
81	PLC	±	PLC	±	PLC	±	PLC
82	PLC	±	PLC	±	PLC	±	PLC
83	PLC	±	PLC	±	PLC	±	PLC
84	PLC	±	PLC	±	PLC	±	PLC
85	PLC	±	PLC	±	PLC	±	PLC
86	PLC	±	PLC	±	PLC	±	PLC
87	PLC	±	PLC	±	PLC	±	PLC
88	PLC	±	PLC	±	PLC	±	PLC
89	PLC	±	PLC	±	PLC	±	PLC
90	PLC	±	PLC	±	PLC	±	PLC
91	PLC	±	PLC	±	PLC	±	PLC
92	PLC	±	PLC	±	PLC	±	PLC
93	PLC	±	PLC	±	PLC	±	PLC
94	PLC	±	PLC	±	PLC	±	PLC
95	PLC	±	PLC	±	PLC	±	PLC
96	PLC	±	PLC	±	PLC	±	PLC
97	PLC	±	PLC	±	PLC	±	PLC
98	PLC	±	PLC	±	PLC	±	PLC
99	PLC	±	PLC	±	PLC	±	PLC
100	PLC	±	PLC	±	PLC	±	PLC

AMP 1471-8 REV 31MAR2000

A

B

C

D