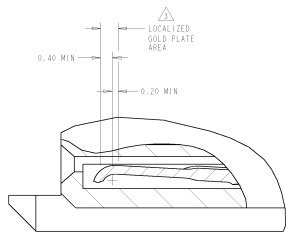
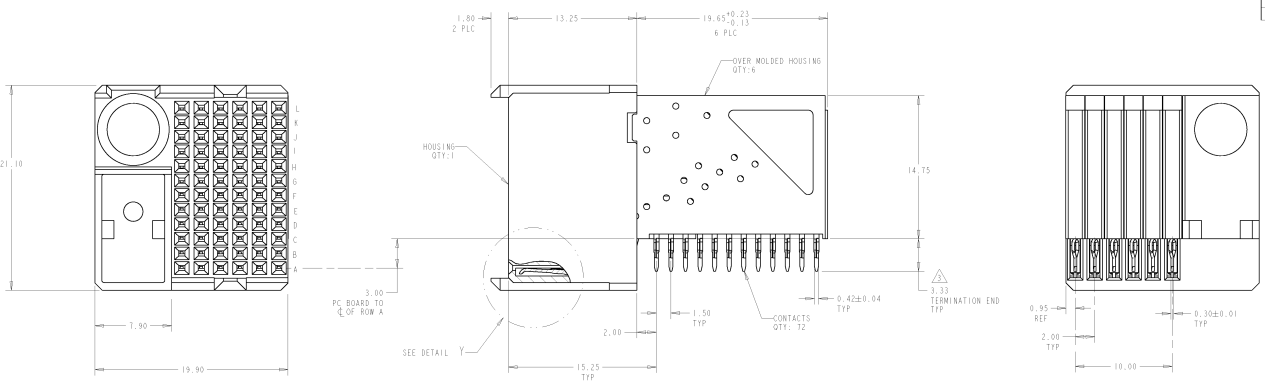
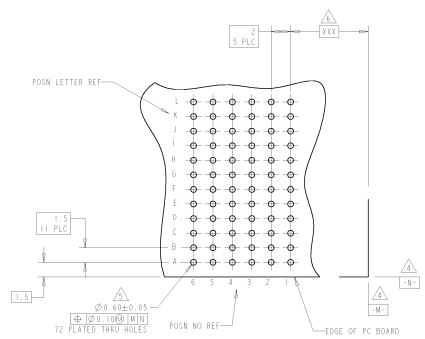
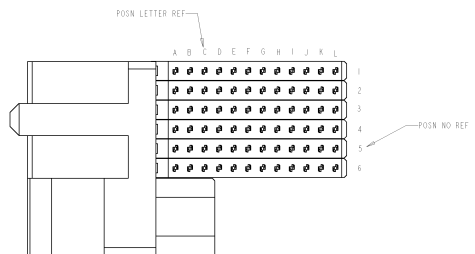


8	7	6	5	4	3	2	1
DATE REVISIONS TO BE INDICATED	REVISIONS FOR IDENTIFICATION						
AD	00						

REV	DATE	DESCRIPTION	BY	CHKD	APPD
D		REV PER EC 0512-0319-04	BLUMBERG	BC	GS
A		REV PER EC 0512-0302-05	BLUMBERG	BC	GS



DETAIL Y
SCALE 15:1
TYPICAL



RECOMMENDED
PRINTED CIRCUIT BOARD
LAYOUT
RECOMMENDED PRINTED CIRCUIT BOARD
THICKNESS 1.27
COMPONENT SIDE OF PRINTED CIRCUIT BOARD

- ▲ GLASS FILLED POLYESTER, BLACK
- ▲ PHOSPHOR BRONZE
- ▲ CONFORMS TO ALL TESTING ACCORDING TO IEC 61076-4-101 PERFORMANCE LEVEL 2
- ▲ DATUMS ESTABLISHED BY CUSTOMER.
- ▲ DRILLED HOLE DIAMETER 0.70±0.025
COPPER THK 0.025-0.05
TIN THICKNESS 0.004-0.01
- ▲ DIMENSION ESTABLISHED BY CUSTOMER.
- ▲ GENERAL PLATING SPECIFICATION: UNDERPLATING
VENTING CONTACTS: 1.25µm MIN NICKEL AND ACTION
PIN: 0.5µm MIN TIN
FOR PLATING OF MATING SURFACES SEE APPLICABLE
SPECIFICATION REFERENCE FOR EACH DASH NUMBER.

5120640-1
PART
NUMBER

MANUFACTURER Tyco	PART NUMBER 5120640-1	DATE 01/20/05	REV 01	DESCRIPTION RECEPTACLE ASSEMBLY, SIGNAL/GROUND COMBINATION, 72 POSITION, LEFT HAND, 2-PAK, 12 HW
DATE 01/20/05	REV 01	DESCRIPTION RECEPTACLE ASSEMBLY, SIGNAL/GROUND COMBINATION, 72 POSITION, LEFT HAND, 2-PAK, 12 HW	DATE 01/20/05	REV 01
DATE 01/20/05	REV 01	DESCRIPTION RECEPTACLE ASSEMBLY, SIGNAL/GROUND COMBINATION, 72 POSITION, LEFT HAND, 2-PAK, 12 HW	DATE 01/20/05	REV 01