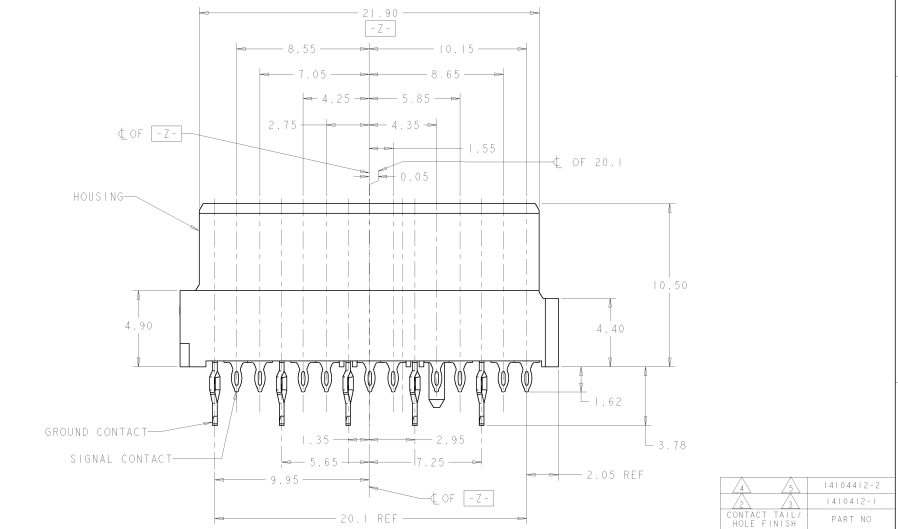
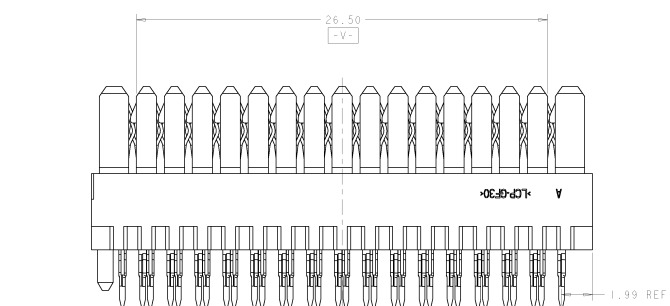
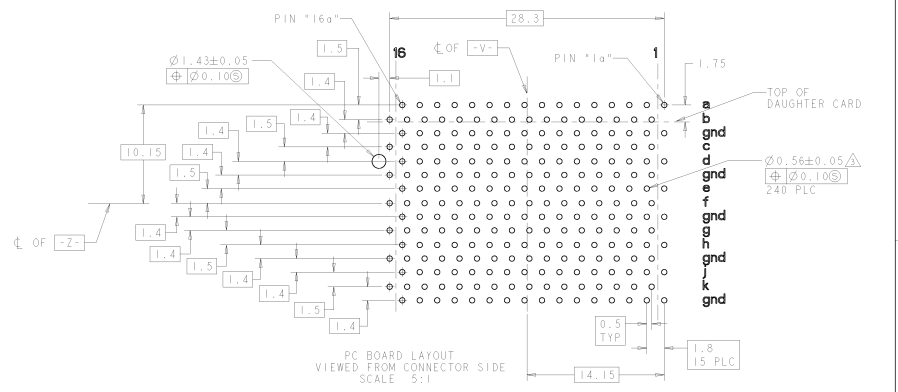
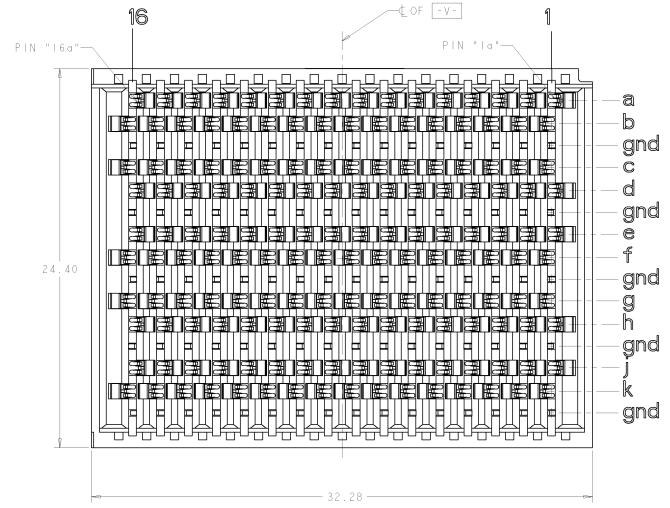


8	7	6	5	4	3	2	1
DATE STARTED TO MANUFACTURE	REVISIONS FOR MANUFACTURE						
AD	AD						

REV	DATE	DESCRIPTION	BY	CHKD	APPD
1	00				
2	00	REV 0012-0041-04			



- △ HOUSING: LCP, UL94V-0, BLACK.
CONTACT: PHOSPHOR BRONZE.
- △ 1.27µm GOLD PER ASTM B 488 IN CONTACT AREA, 1.27µm MIN TIN-LEAD ON PCB TAIL, OVER 3.81µm MIN NICKEL PER SAE AMS-00-N-290 OVER ALL.
- △ MANUFACTURING TOLERANCE FOR Ø0.56 ± 0.05 DIAMETER FINISHED HOLE:
DRILLED HOLE: Ø0.65 ± 0.02
COPPER PLATING: 0.050 - 0.025
TIN-LEAD PLATING: 0.0124 - 0.0038.
- △ 1.27 µm GOLD PER ASTM B 488 IN CONTACT AREA - 1.27 µm MIN MATTE TIN PER ASTM B 545 ON PCB TAIL, OVER 3.81 µm MIN NICKEL PER SAE AMS-00-N-290 OVER ALL.
- △ MANUFACTURING TOLERANCE FOR A Ø 0.575 ± 0.045 FINISHED HOLE WITHOUT TIN LEAD PLATING:
DRILLED HOLE: Ø0.65 ± 0.02
COPPER PLATING: 0.025 - 0.050

△	△	14104412-2
△	△	CONTACT TAIL / HOLE FINISH
		PART NO

MANUFACTURER: tyco PART NO: 14104412-1 REV: 0012-0041-04 DATE: 08-13-08 MATERIAL: LCP	DRAWN BY: tyco CHECKED BY: tyco APPROVED BY: tyco DATE: 08-13-08 SCALE: 5:1	PART NO: 14104412-1 REV: 0012-0041-04 DATE: 08-13-08 SCALE: 5:1	tyco ELECTRONICS 14104412-1 VERTICAL RECEPTACLE ASSEMBLY, STAND ALONE, FULL 25 4mm MULTIFIG RT-1 BACKPLANE CONNECTOR 14104412-1
--	--	--	--

NOT TO SCALE

PROCESSED DRAWING