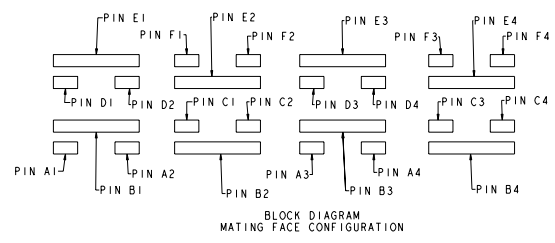
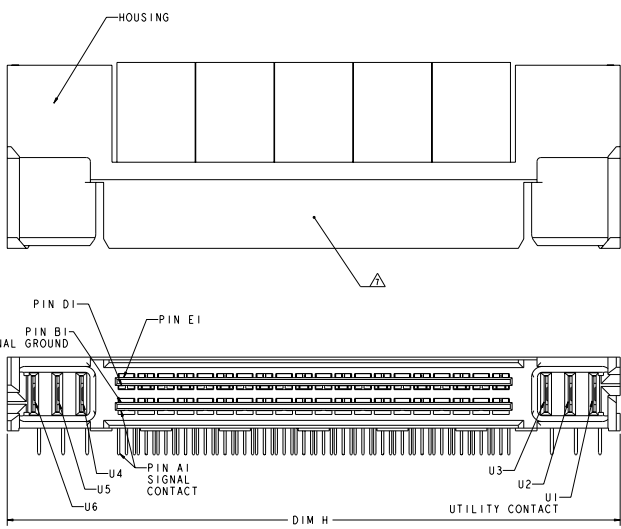
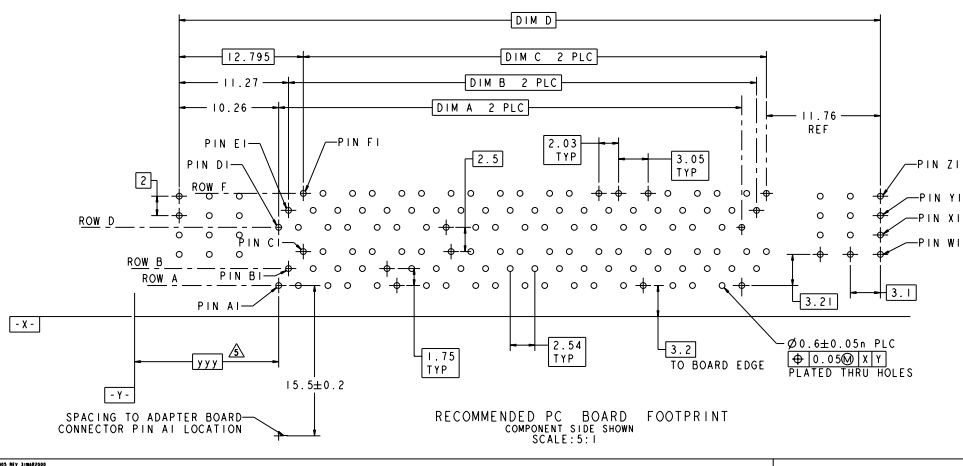


REV	DATE	DESCRIPTION	BY	CHK	APP
B		REVISED PER ECO-08-015857			
C		REVISED PER ECO-10-012356			

- △ HOUSINGS: POLYESTER, UL 94V-0 RATED, NATURAL SIGNAL AND SIGNAL GROUND CONTACTS: COPPER ALLOY UTILITY CONTACTS: PHOSPHOR BRONZE
- △ UTILITY CONTACTS: 0.76µm MIN GOLD IN CONTACT AREA, 2.54µm MIN TIN ON PCB TAILS, OVER 1.27µm MIN NICKEL OVER ALL. SIGNAL AND SIGNAL GROUND CONTACTS: 0.76µm MIN GOLD IN CONTACT AREA, 2.54µm MIN TIN ON PCB TAILS, OVER 1.27µm MIN NICKEL OVER ALL.
- 3. ROWS A, C, D, AND F ARE SIGNAL CONTACTS. ROWS B AND E ARE SIGNAL GROUND CONTACTS.
- △ CONNECTOR SIZE CAN ACCOMMODATE INDICATED QUANTITY OF DIFFERENTIAL PAIRS.
- △ DIMENSIONS PER CUSTOMER BOARD LAYOUT.
- △ COMPANY LOGO IN APPROXIMATE AREA SHOWN.



LOADED UTILITY CONTACTS							PART NUMBER
NO	NO	YES	YES	YES	YES	YES	2-6367550-7
YES	YES	YES	YES	YES	YES	YES	6367550-9
YES	YES	YES	YES	YES	YES	YES	6367550-8
YES	YES	YES	YES	YES	YES	YES	6367550-7
YES	YES	YES	YES	YES	YES	YES	6367550-6
YES	YES	YES	YES	YES	YES	YES	6367550-5
YES	YES	YES	YES	YES	YES	YES	6367550-4
YES	YES	YES	YES	YES	YES	YES	6367550-3
YES	YES	YES	YES	YES	YES	YES	6367550-2
YES	YES	YES	YES	YES	YES	YES	6367550-1
U6	U5	U4	U3	U2	U1		



192	99.32	92.62	68.58	68.07	56	2-6367550-7
240	119.64	112.94	88.90	88.39	72	6367550-9
216	109.48	102.78	78.74	78.23	64	6367550-8
192	99.32	92.62	68.58	68.07	56	6367550-7
168	89.16	82.46	58.42	57.91	48	6367550-6
144	79.00	72.30	48.26	47.75	40	6367550-5
120	68.84	62.14	38.10	37.59	32	6367550-4
96	58.68	51.98	27.94	27.43	24	6367550-3
72	48.52	41.82	17.78	17.27	16	6367550-2
48	38.36	31.66	7.62	7.11	8	6367550-1
N	DIM	DIM	B	A OR C	DIFF	PART
			DIM	DIM	PAIRS	NUMBER

DRAWING NO: 000000000000000000 DATE: 00000000 BY: 00000000 CHECKED: 00000000 APPROVED: 00000000	TITLE: Z-DOK+ HOST BOARD CONNECTOR ASSEMBLY, 8-12 SIGNAL DIFF. PAIR, 3 UTILITY CONTACTS PER SIDE PART NUMBER: 6367550 CUSTOMER DRAWING	THIS ELECTRONICS CORPORATION HARRISBURG, PA 17105-3600 PHONE: 717-636-7550 FAX: 717-636-7551 E-MAIL: SALES@TEC.COM
---	--	--