

4

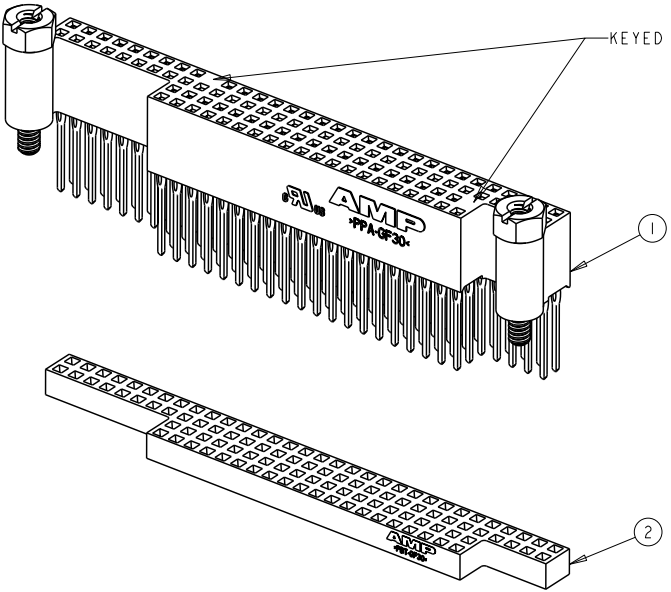
3

2

1

THIS DRAWING IS UNPUBLISHED. RELEASED FOR PUBLICATION 20  
 © COPYRIGHT 20 BY TYCO ELECTRONICS CORPORATION. ALL RIGHTS RESERVED.

LOC	DIST	REVISIONS				
P	LTR	DESCRIPTION	DATE	DWN	APVD	
O		REV PER EC 0G3C-0183-01	13JUN2001	MB	JO	
A		REV PER EC 0G3C-0313-04	25AUG2004	MB	JO	
B		0G3C-0184-05	31AUG2005	RB	JO	
BI		REVISED PER ECO-09-025699	08DEC2009	KK	AEG	



- 1. COMPONENTS BULK PACKAGED.
- 2. 1445440-1 & -3 (AS SHOWN) KEYED VERSION PER PCI04 SPECIFICATION.
- 3. 1445440-2 & -4 UNKEYED VERSION.
- 4. ROHS 2002/95/EC COMPLIANT PART TO BE USED WITH ROHS 2002/95/EC COMPLIANT PCB'S.
- 5. OBSOLETE PARTS: OBSOLETE CIS STREAMLINING PER D.RENAUD/D.SINISI

4	3	1445251-1	1375793-4	1445440-4		
5	4	2	OBSOLETE	1445251-1	1375793-3	1445440-3
5	3	OBSOLETE	1445251-1	1375793-2	1445440-2	
5	2	OBSOLETE	1445251-1	1375793-1	1445440-1	
2	1	ORGANIZER QTY = 1	CONNECTOR ASSY QTY = 1	PART NUMBER		

<small>THIS DRAWING IS A CONTROLLED DOCUMENT FOR TYCO ELECTRONICS CORPORATION          IT IS SUBJECT TO CHANGE AND THE CONTROLLING ENGINEERING ORGANIZATION          SHOULD BE CONTACTED FOR THE LATEST REVISION.</small>		DWN 29MAR2001 R BROWN CHK 29MAR2001 J OLSON APVD 29MAR2001 J OLSON	<b>Tyco Electronics</b> Tyco Electronics Corporation Harrisburg, PA 17105-3608
DIMENSIONS: mm 	TOLERANCES UNLESS OTHERWISE SPECIFIED: 0 PLC ±. 1 PLC ±0.5 2 PLC ±0.13 3 PLC ±0.013 4 PLC ±0.0001 ANGLES °	NAME KIT, PC/104 ASSEMBLY, TWO STANDOFF W/ORGANIZER	RESTRICTED TO
MATERIAL -	FINISH -	PRODUCT SPEC 108-1956 APPLICATION SPEC 114-13021	SIZE CAGE CODE DRAWING NO A3 00779 C-1445440
CUSTOMER DRAWING		WEIGHT -	SCALE 2:1 SHEET 1 OF 1 REV BI