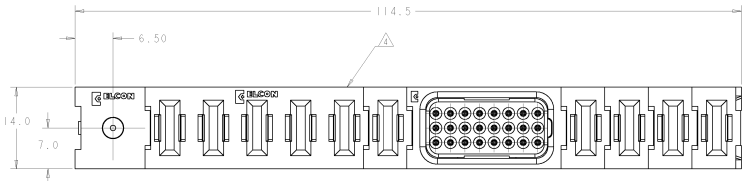


REV. NO.		REVISIONS	
DATE	DESCRIPTION	BY	CHKD
00	NEW RELEASE		



1. PART NUMBER CHANGES AND OR DESIGN CHANGES AFFECTING ITEM INTERCHANGEABILITY REQUIRE PRIOR TYCO ELECTRONICS APPROVAL AND AUTHORIZATION BY REVISION TO THIS DRAWING.

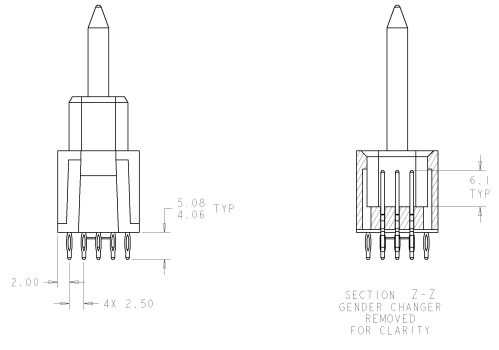
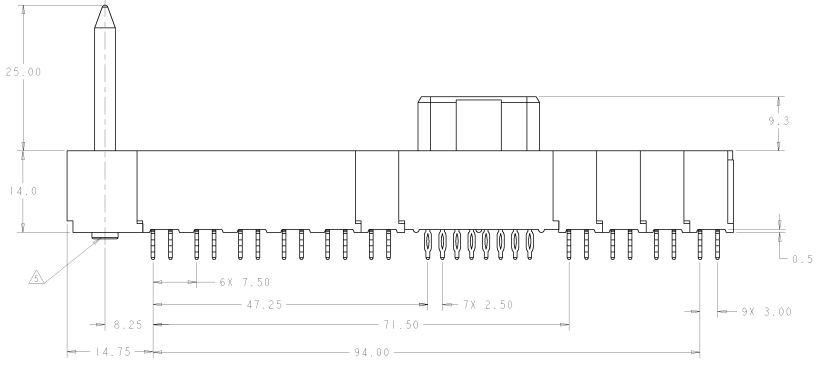
△ MATERIAL:
 INSULATORS - THERMOPLASTIC, GLASS REINFORCED, COLOR: BLACK, UL94V-0 FLAMMABILITY RATED.
 POWER CONTACTS - PHOSPHOR BRONZE ALLOY, COPPER ALLOY
 COMPLIANT SIGNAL PIN - BRASS ALLOY
 CROWN BAND-BERYLLIUM COPPER ALLOY
 GUIDE PIN-COPPER ALLOY

△ FINISH:
 CONTACTS - GOLD PLATE 0.76µm MIN. THK., OVER NICKEL 1.27µm MIN. THK.
 COMPLIANT TAILS, TIN 1.02µm MIN. THK.
 OVER NICKEL 1.27µm MIN. THK.
 GUIDE PIN - SILVER PLATE 5.08µm MIN THK. OVER NICKEL 1.27µm MIN. THK.

△ ITEMS PROVIDED TO THIS SPECIFICATION TO BE PERMANENTLY IDENTIFIED PER THE FOLLOWING IDENTIFIER LABEL

YEAR WEEK
 TYCO ELECTRONICS P/N DATE CODE (e.g. 0106)
 XXXXXX-X XXXX

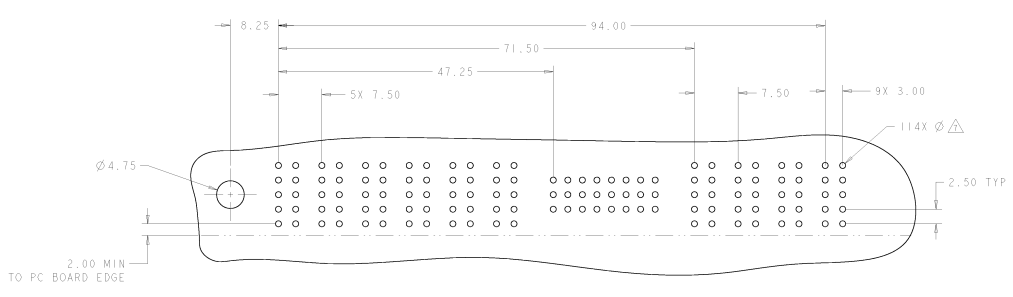
△ ACTIVE GUIDE PIN ACCEPTS M3 X 0.5 SCREWS (USER SUPPLIED).



ELCON FLATPAQ

AS SHOWN	6646495-1
DESCRIPTION	PART NUMBER
SOCKET CONNECTOR STRAIGHT, COMPLIANT TAIL FLATPAQ	
PART NO. 6646495-1 REV. A DATE 00779 CUSTOMER DRAWING	TYCO ELECTRONICS HARRISBURG, PA 17110-1808

REV	DATE	DESCRIPTION	BY	CHK	APP
00		SEE SHEET 1			



PRINTED CIRCUIT LAYOUT
 COMPONENT SIDE

CONNECTOR	CATALOG MODULE #	QTY	SIZE NO.	CONTACT QTY	MATING PIN	MAX. CURRENT (PER CONTACT)	CONTACT SPACING	VOLTAGE RATING
SOCKET	FP200	9	8	9	1.25 X 7.00 [.049 X .276]	35 amps	7.50 [1.2953]	250 VOLTS
	FP401	1	8	24	.64 [0.025] SO.	3 amps	2.50 [1.0984]	125 VOLTS
	FP511	1	SPACER					
	FP515	1	GUIDE PIN, ACTIVE					

ELCON FLATPAQ

08/11/2007 10:00 AM
 J. J. ...
 ...
Typo Electronics
 SOCKET CONNECTOR
 STRAIGHT, COMPLIANT TAIL
 FLATPAQ
 00779 (2)-6646495
 CUSTOMER DRAWING

