

4

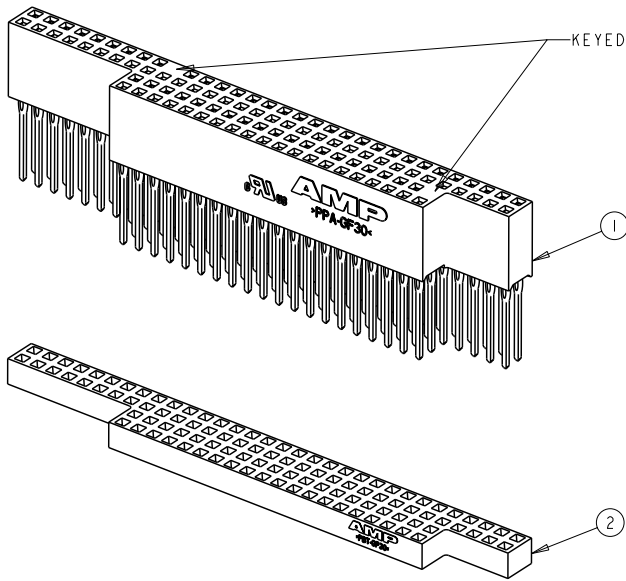
3

2

1

THIS DRAWING IS UNPUBLISHED. RELEASED FOR PUBLICATION 20
 © COPYRIGHT 20 BY TYCO ELECTRONICS CORPORATION. ALL RIGHTS RESERVED.

LOC	DIST	REVISIONS					
AD	00	P	LTR	DESCRIPTION	DATE	DWN	APVD
		O		REV PER EC 0G3C-0183-01	13JUN2001	MB	JO
		A		REV PER EC 0G3C-313-04	26AUG04	MB	JO
		B		0G3C-0184-05	31AUG2005	RB	JO
		BI		REVISED PER ECO-09-025699	08DEC2009	KK	AEG



- 1. COMPONENTS BULK PACKAGED.
- 2 1445441-1 & -3 (AS SHOWN) KEYED VERSION PER PC104 SPECIFICATION.
- 3 1445441-2 & -4 UNKEYED VERSION.
- 4 ROHS 2002/95/EC COMPLIANT PART TO BE USED WITH ROHS 2002/95/EC COMPLIANT PCB'S.
- 5 OBSOLETE PARTS: OBSOLETE CIS STREAMLINING PER D.RENAUD/D.SINISI

4 3	OBSOLETE	1445251-1	1375795-4	1445441-4
4 2	OBSOLETE	1445251-1	1375795-3	1445441-3
3		1445251-1	1375795-2	1445441-2
2		1445251-1	1375795-1	1445441-1
2	ORGANIZER QTY = 1	1	CONNECTOR ASSY QTY = 1	PART NUMBER

DIMENSIONS:		TOLERANCES UNLESS OTHERWISE SPECIFIED:		Tyco Electronics Corporation	
mm		0 PLC ±-	1 PLC ±0.5	2 PLC ±0.13	3 PLC ±0.013
		4 PLC ±0.0001	ANGLES 0°	Tyco Electronics Corporation Harrisburg, PA 17105-3608	
MATERIAL	FINISH	DOWN 29MAR2001 R BROWN CHK 29MAR2001 J OLSON APVD 29MAR2001 J OLSON		NAME KIT, PC/104 ASSEMBLY, NO STANDOFFS W/ORGANIZER	
		PRODUCT SPEC 108-1956		RESTRICTED TO	
		APPLICATION SPEC 114-13021		SIZE A3	CAGE CODE 00779
		WEIGHT		DRAWING NO C-1445441	
CUSTOMER DRAWING				SCALE 2:1	SHEET 1
				OF 1	REV BI