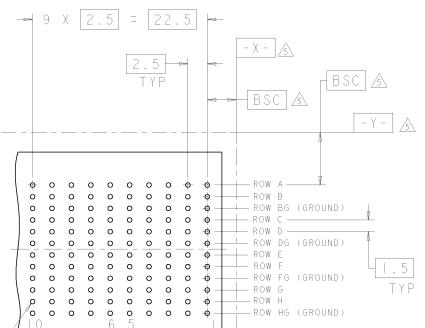
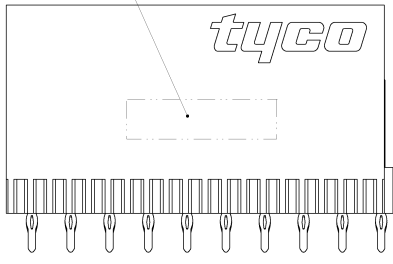
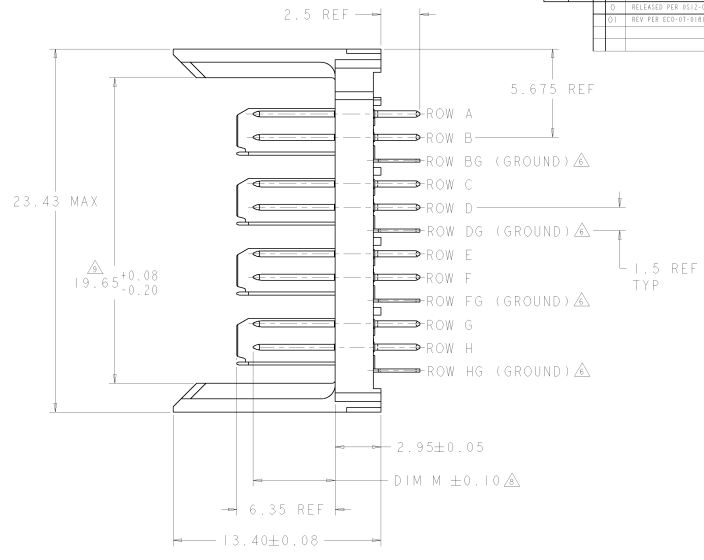
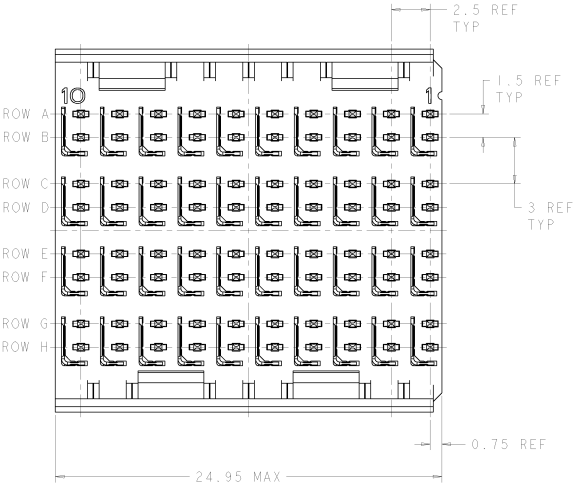


DATE	BY	DESCRIPTION
01/01/2004	AD	REVISED FOR RELEASE

REV	DATE	DESCRIPTION	BY	CHKD	APP'D
0	01/01/2004	RELEASED PER 6312-0324-04	AD		
01		REV PER ECO-01-010141	AD		



- △ REFERENCE APPLICATION SPEC 114-13059 FOR RECOMMENDED PLATED THRU HOLE DIAMETER AND PLATING THICKNESSES.
- △ MATERIAL: CONTACT AND SHIELD - PHOSPHOR BRONZE HOUSING - GLASS FILLED POLYESTER, UL 94V-0.
- △ FINISH: CONTACT AND SHIELD MATING AREA - 0.76µm MIN GOLD OVER 1.27µm MIN NICKEL COMPLIANT PIN AREA - 0.5µm MIN TIN OVER 1.27µm MIN NICKEL
- △ CONNECTOR MARKED WITH PART NUMBER AND DATE CODE.
- △ DATUMS AND BASIC DIMENSIONS ESTABLISHED BY CUSTOMER.
- △ THE FOUR GROUNDS IN EACH COLUMN ARE COMMONED.
- 7. CONTACT AREA LUBRICATED WITH BELLCORE APPROVED LUBRICANT. TECHNICAL REFERENCE: GR-1217-CORE, ISSUE 1, NOVEMBER 1995.
- △ REFER TO "CONTACT LAYOUT" CHART FOR SEQUENCING.
- △ DIMENSION APPLIES TO FIRST AND LAST CIRCUITS.

CONTACT LAYOUT
 A = 9.80mm (DIM M)
 B = 5.30mm (DIM M)
 G = GROUND

		COLUMNS									
		10	9	8	7	6	5	4	3	2	1
ROWS	A	B	B	B	B	B	B	B	B	B	B
	B	B	B	B	B	B	B	B	B	B	B
	BG	G	G	G	G	G	G	G	G	G	G
	C	A	B	B	B	B	B	B	B	B	B
	D	A	B	B	B	B	B	B	B	B	B
	DG	G	G	G	G	G	G	G	G	G	G
	E	B	B	B	B	B	B	B	B	B	B
	F	B	B	B	B	B	B	B	B	B	B
FG	G	G	G	G	G	G	G	G	G	G	
G	B	B	B	B	B	B	B	B	B	B	
H	B	B	B	B	B	B	B	B	B	B	
HG	G	G	G	G	G	G	G	G	G	G	

⊕ 0.05 X Y
 ALL PLATED THRU HOLES

RECOMMENDED PC BOARD LAYOUT, BACKPLANE, COMPONENT SIDE SHOWN
 SCALE 4:1

6469292-1
 PART NUMBER

Tyco Electronics		Tyco Electronics	
DATE	DESCRIPTION	DATE	DESCRIPTION
01/01/2004	RELEASED PER 6312-0324-04	01/01/2004	RELEASED PER 6312-0324-04
01/01/2004	REV PER ECO-01-010141	01/01/2004	REV PER ECO-01-010141

MATERIAL: PHOSPHOR BRONZE FINISH: GOLD CONTACT: GOLD HOUSING: POLYESTER	PART NUMBER: 6469292-1 DATE CODE: 010104 MANUFACTURING: 100104	HEADLINE: HEADLINE PART NUMBER: 6469292-1 DATE CODE: 010104 MANUFACTURING: 100104	HEADLINE: HEADLINE PART NUMBER: 6469292-1 DATE CODE: 010104 MANUFACTURING: 100104
--	--	--	--