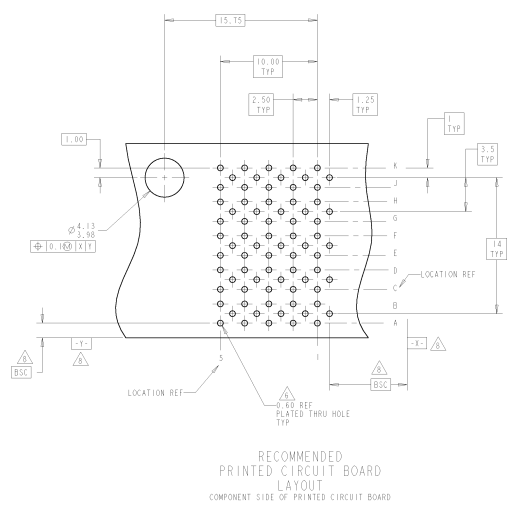
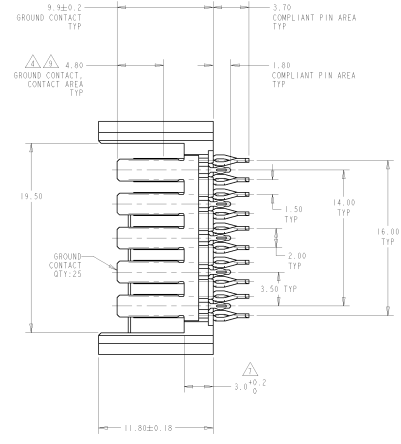
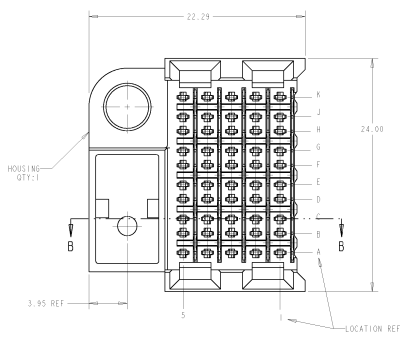
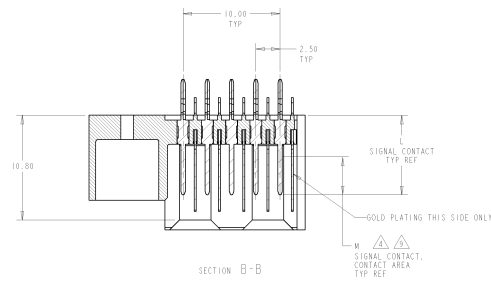


REV	DATE	DESCRIPTION	BY	CHK	APP
0	00				
1		REV PER EC 0512-0214-04	ALBERGHI	BC	BP
2		REV PER EC 0512-0642-04	ALBERGHI	BC	BP
3		REV PER EC 06-08-234709	ALBERGHI	BC	BP
4		REV PER EC 10-000045	ALBERGHI	BC	BP

- △ PHOSPHOR BRONZE
- △ LCP, UL94V-0
- △ 0.75µm MIN GOLD OVER 1.27µm MIN NICKEL UNDERPLATE ON GOLD FLASH OVER 0.75µm MIN PALLADIUM-NICKEL OVER 1.27µm MIN NICKEL UNDERPLATE ON CONTACT AREA, 0.75µm MIN TIN LEAD OVER 1.27µm MIN NICKEL ON COMPLIANT PIN AREA
- △ CONNECTOR MARKED WITH PART NUMBER AND DATE CODE
- △ REFERENCE APPLICATION SPEC 114-13020 FOR RECOMMENDED PLATED THRU HOLE DIAMETER AND PLATING THICKNESS.
- △ APPLICATION SEATING HEIGHT TO PRINTED CIRCUIT BOARD
- △ DATUMS AND BASIC DIMENSIONS ESTABLISHED BY CUSTOMER
- △ CONTACT AREA LUBRICATED WITH BELLOCORE APPROVED LUBRICANT TECHNICAL REFERENCE: GR-1217-CORE, ISSUE 1, NOVEMBER 1995
- △ OBSOLETE PARTS: OBSOLETE CIS STREAMLINER PER D.RENAUDDO SINISI



△ OBSOLETE	5.30	9.1	5120670-1
	3.90	8.2	5120670-1
	M	L	PART NUMBER

MANUFACTURER: en PART NUMBER: 5120670-1 DATE: 08/12/2014 14:00:00 BY: TONY ELECTRONICS CORPORATION	CATEGORY: CONNECTOR PARTITION: CONNECTOR SUBPARTITION: CONNECTOR PRODUCT CODE: 5120670-1 CUSTOMER DRAWING:	Stycor TONY ELECTRONICS CORPORATION 8111 FORT MEYER ROAD HARRISBURG, PA 17109-1808 HEADER ASSEMBLY, 50 POSITION, RIGHT HAND, 10 ROW, 2-PACK, HS3	PART NUMBER: 5120670-1 REV: A DATE: 08/12/2014 14:00:00 BY: TONY ELECTRONICS CORPORATION
---	--	---	---