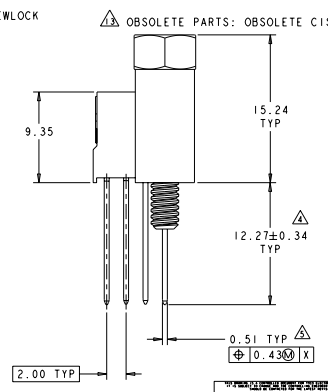
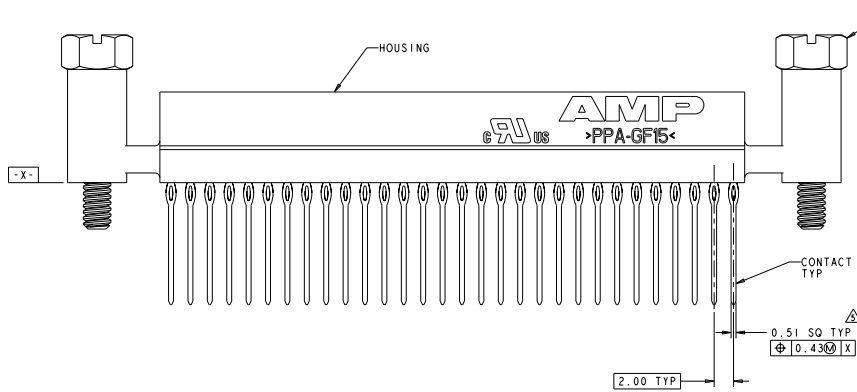
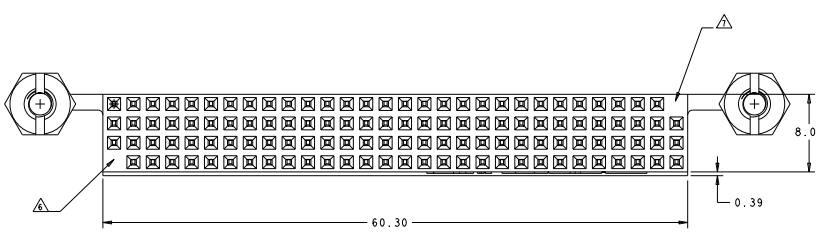


REV	DATE	DESCRIPTION	BY	CHK	APP
G	06/26/01	0184-05	SHAWNS	RB	JO
H	ECO-94-7871		ZHOPFMA	MB	JO
J	ECO-97-00855		HUMPHREY	MB	JO
JT	REVISED PER ECO-99-025699		HUMPHREY	MB	REG

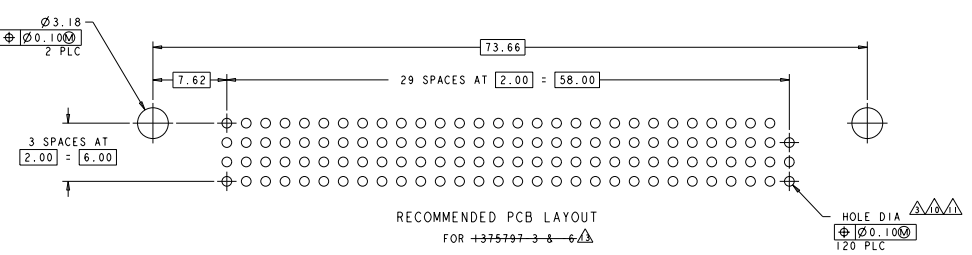
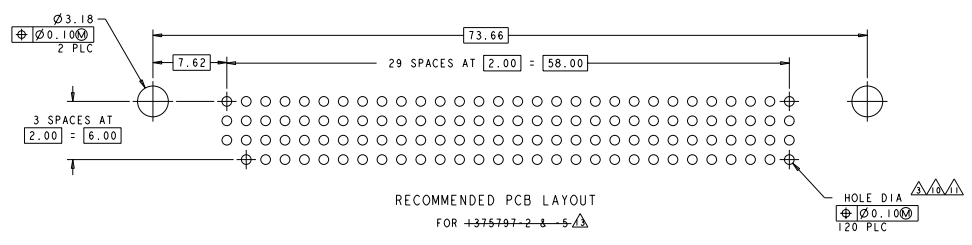
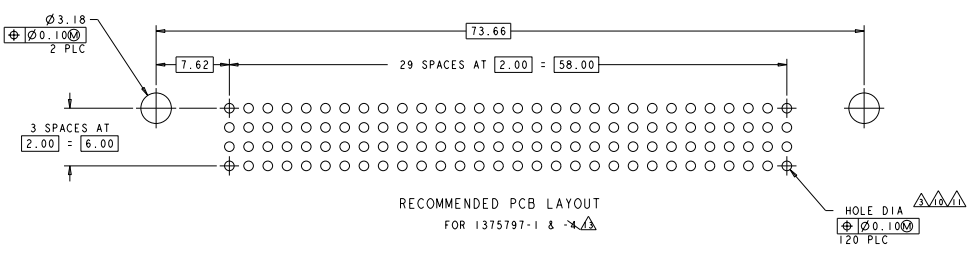


- △ HOUSING: HIGH TEMPERATURE, GLASS FILLED NYLON, COLOR: BLACK.
CONTACTS: PHOSPHOR BRONZE.
SCREWLOCKS: STEEL.
- △ CONTACTS: 0.000381 MIN GOLD ON MATING RECEPTACLE END, 0.000130 MIN GOLD ON REMAINDER, ALL OVER 0.001270 NICKEL.
SCREWLOCKS: CLEAR CHROMATE OVER ZINC.
- △ PCB HOLE RECOMMENDATIONS:
A. DRILL HOLE DIAMETER TO BE 1.00±0.02.
B. PLATING TO BE 0.005 MIN TIN-LEAD OVER 0.025-0.075 COPPER.
C. RECOMMENDED FINISH HOLE SIZE IS 0.88±0.08.
- △ DIMENSION AFTER SEATING TO PCB.
- △ POSITION TOLERANCE APPLIES AFTER CONNECTOR IS PRESSED ONTO PC BOARD.
- △ NO CONTACT IN THIS POSITION FOR PART NUMBER 1375797-2 ONLY.
- △ NO CONTACT IN THIS POSITION FOR PART NUMBER 1375797-3 ONLY.
- △ CONTACTS: 0.000381 MIN GOLD ON MATING RECEPTACLE END, 0.00254-0.00508 MATTE TIN ON COMPLIANT AREA, 0.000130 MIN GOLD OVER REMAINDER, ALL OVER 0.001270 NICKEL.
SCREWLOCKS: CLEAR CHROMATE OVER ZINC.
- △ TO BE USED ON SILVER IMMERSION PLATED PCB'S (NOTE 10).
- △ PCB HOLE RECOMMENDATIONS FOR SILVER IMMERSION PLATING:
A. DRILL HOLE DIAMETER TO BE 1.04±0.02.
B. PLATING TO BE 0.0001524-0.0004064 SILVER OVER 0.0508±0.0254 COPPER.
C. RECOMMENDED FINISH HOLE SIZE IS 0.94-1.03.
- △ PCB HOLE RECOMMENDATIONS FOR ENIG PLATING:
A. DRILL HOLE DIAMETER TO BE 1.04±0.02.
B. PLATING TO BE 0.000051-0.000127 GOLD OVER 0.00305-0.00610 NICKEL ALL OVER 0.0508±0.0254 COPPER.
C. RECOMMENDED FINISH HOLE SIZE IS 0.94-1.03.
- △ TO BE USED ON STANDARD PCB (NOTE 3) OR ENIG PLATED PCB (NOTE 11).
- △ OBSOLETE PARTS: OBSOLETE CIS STREAMLINING PER D.RENAUD/D.SINISI

△	△	YES	△	1375797-6	△
△	△	YES	△	1375797-5	△
△	△	NO	△	1375797-4	△
△	△	YES	△	1375797-3	△
△	△	YES	△	1375797-2	△
△	△	NO	△	1375797-1	△
FINISH KEYED CIRCUITS				PART NO	

DATE: 13JUN2001	BY: J. ALLEN	DATE: 13JUN2001	BY: J. ALLEN
REV: 00	REV: 00	REV: 00	REV: 00
DESCRIPTION: ASSEMBLY, PC/104-PLUS, STACKTHROUGH CONTACTS, 2 STANDOFFS, PRESS FIT	DATE: 13JUN2001	BY: J. ALLEN	DATE: 13JUN2001
REV: 00	REV: 00	REV: 00	REV: 00
DATE: 13JUN2001	BY: J. ALLEN	DATE: 13JUN2001	BY: J. ALLEN
REV: 00	REV: 00	REV: 00	REV: 00
DATE: 13JUN2001	BY: J. ALLEN	DATE: 13JUN2001	BY: J. ALLEN
REV: 00	REV: 00	REV: 00	REV: 00

REV	DATE	DESCRIPTION	BY	CHK	APP
00		SEE SHEET 1			



DATE: 13 JUN 2007 TIME: 13:00:00 USER: J. GILSON PROJECT: 00778 PART: 1375797-1 REV: 00 TITLE: CUSTOMER DRAWING		DATE: 13 JUN 2007 TIME: 13:00:00 USER: J. GILSON PROJECT: 00778 PART: 1375797-1 REV: 00 TITLE: CUSTOMER DRAWING	DATE: 13 JUN 2007 TIME: 13:00:00 USER: J. GILSON PROJECT: 00778 PART: 1375797-1 REV: 00 TITLE: CUSTOMER DRAWING	DATE: 13 JUN 2007 TIME: 13:00:00 USER: J. GILSON PROJECT: 00778 PART: 1375797-1 REV: 00 TITLE: CUSTOMER DRAWING	DATE: 13 JUN 2007 TIME: 13:00:00 USER: J. GILSON PROJECT: 00778 PART: 1375797-1 REV: 00 TITLE: CUSTOMER DRAWING
---	--	---	---	---	---