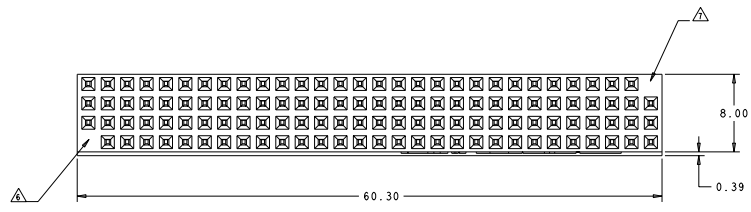
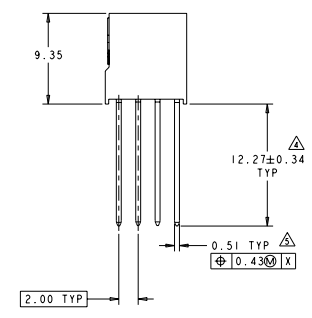
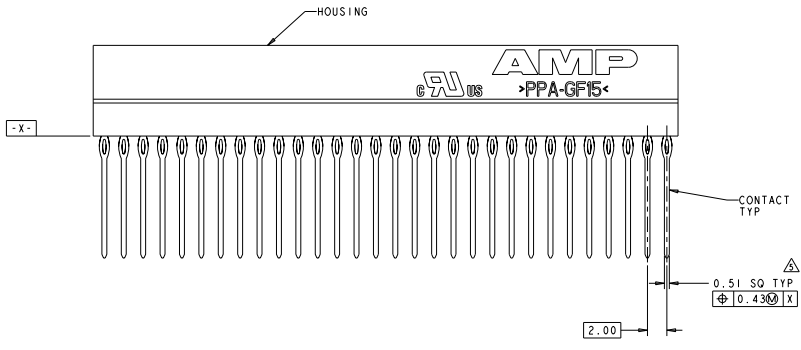


REV	DATE	DESCRIPTION	BY	CHK	APP
F	06/26/04-05		SHAWNS	RB	JO
G	ECO-04-7871		SHAWNS	MB	JO
H	ECO-07-00855		SHAWNS	RB	JO
HI	REVISED PER ECO-10-00045		SHAWNS	PK	MB



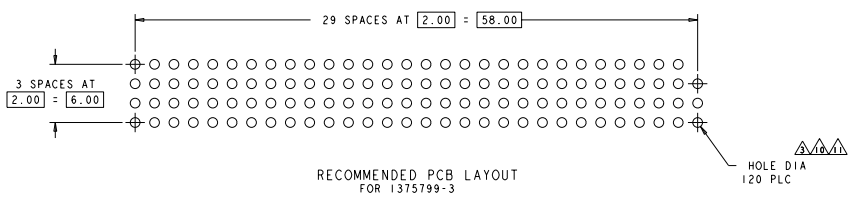
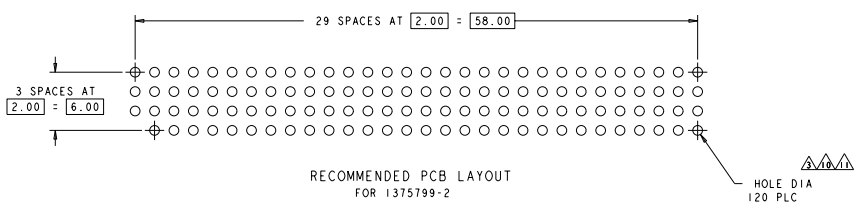
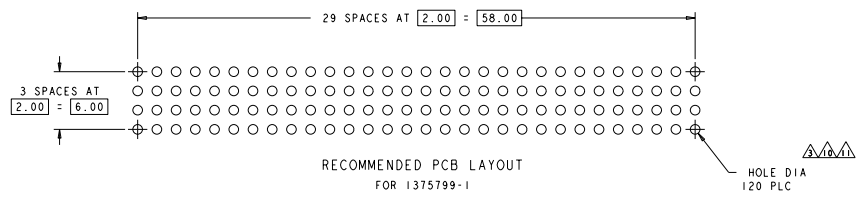
- △ HOUSING: HIGH TEMPERATURE, GLASS FILLED NYLON.
COLOR: BLACK
CONTACTS: PHOSPHOR BRONZE.
- △ CONTACTS: 0.000381 MIN GOLD ON MATING RECEPTACLE END, 0.000130 MIN GOLD ON REMAINDER, ALL OVER 0.001270 NICKEL.
- △ PCB HOLE RECOMMENDATIONS:
A. DRILL HOLE DIAMETER TO BE 1.00±0.02.
B. PLATING TO BE 0.005 MIN TIN-LEAD OVER 0.025-0.075 COPPER.
C. RECOMMENDED FINISH HOLE SIZE IS 0.88±0.08.
- △ DIMENSION AFTER SEATING TO PCB.
- △ POSITION TOLERANCE APPLIES AFTER CONNECTOR IS PRESSED ONTO PC BOARD.
- △ NO CONTACT IN THIS POSITION FOR PART NUMBER 1375799-2 ONLY.
- △ NO CONTACT IN THIS POSITION FOR PART NUMBER 1375799-3 ONLY.
- △ CONTACT FINISH: 0.000381 MIN GOLD ON MATING RECEPTACLE END, 0.00254-0.00508 TIN ON COMPLIANT AREA, 0.000130 MIN GOLD ON REMAINDER, ALL OVER 0.001270 NICKEL.
- △ TO BE USED ON SILVER IMMERSION PLATED PCB'S (NOTE 10).
- △ PCB HOLE RECOMMENDATIONS FOR SILVER IMMERSION PLATING:
A. DRILL HOLE DIAMETER TO BE 1.04±0.02.
B. PLATING TO BE 0.0001524-0.0004064 SILVER OVER 0.0508±0.0254 COPPER.
C. RECOMMENDED FINISH HOLE SIZE IS 0.94-1.03.
- △ PCB HOLE RECOMMENDATIONS FOR ENIG PLATING:
A. DRILL HOLE DIAMETER TO BE 1.04±0.02.
B. PLATING TO BE 0.000051-0.000127 GOLD OVER 0.00305-0.00610 NICKEL ALL OVER 0.0508±0.0254 COPPER.
C. RECOMMENDED FINISH HOLE SIZE IS 0.94-1.03.
- △ TO BE USED ON STANDARD PCB (NOTE 3) OR ENIG PLATED PCB (NOTE 11).
- △ OBSOLETE PARTS: OBSOLETE CIS STREAMLINING PER D.RENAUD/D.SINISI



FINISH	KEYED CIRCUITS	PART NO
△△	△ YES △	1375799-6
△△	△ YES △	1375799-5
△	△ NO	1375799-4
△	△ YES △	1375799-3
△	△ YES △	1375799-2
△	△ NO	1375799-1

DATE: 13JUN2007	TIME: 13:28:20	USER: J. OLSON	FILE: 1375799-1
SYMBOL: 1375799-1	DESCRIPTION: ASSEMBLY, PC/104-PLUS, STACKTHROUGH CONTACTS, PRESS FIT	SCALE: 1:1	DATE: 13JUN2007
DESIGNER: J. OLSON	CHECKED: J. OLSON	DATE: 13JUN2007	TIME: 13:28:20
DATE: 13JUN2007	TIME: 13:28:20	USER: J. OLSON	FILE: 1375799-1

REVISOR		REVISIONS	
DATE	BY	DESCRIPTION	DATE
		SEE SHEET 1	



DATE: 29 JUN 2000 DRAWN BY: J. BEEGLEY CHECKED BY: J. OLSON DATE: 188-1956 PROJECT: 114-13021 PART: 1375799-1 TITLE: CUSTOMER DRAWING		DATE: 29 JUN 2000 DRAWN BY: J. BEEGLEY CHECKED BY: J. OLSON DATE: 188-1956 PROJECT: 114-13021 PART: 1375799-1 TITLE: CUSTOMER DRAWING		TSC ELECTRONICS CORPORATION Harrisburg, PA 17105-2800 ASSEMBLY: PC/104-PLUS. STACKTHROUGH CONTACTS. PRESS FIT SIZE: CASE CODE DRAWING NO: 100779 SHEET: 5 OF 2	
---	--	---	--	--	--