

4

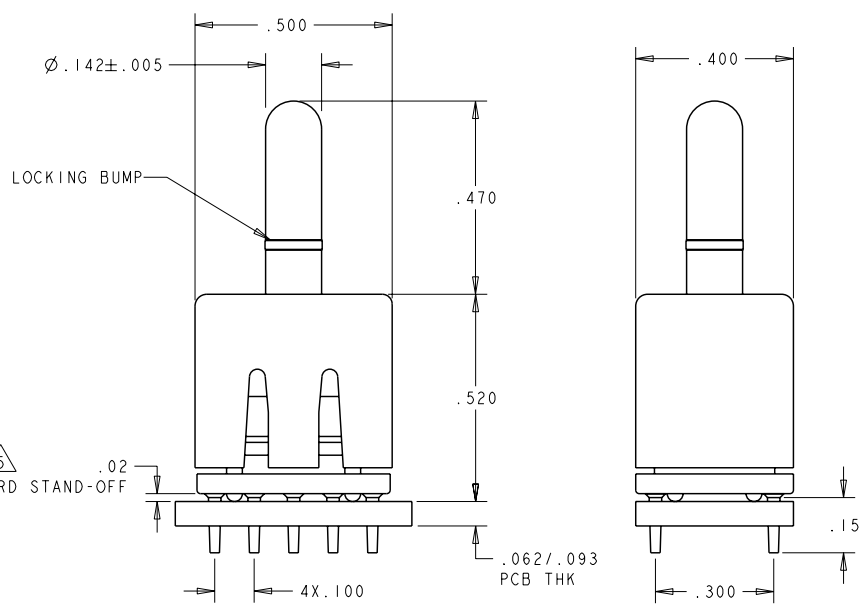
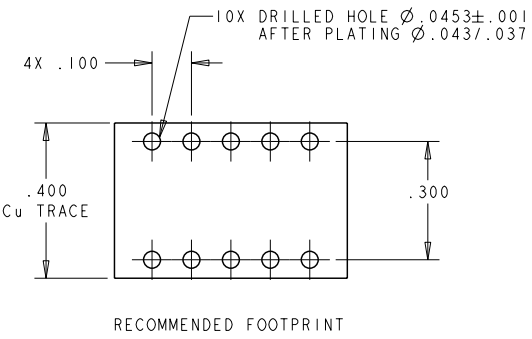
3

2

1

THIS DRAWING IS UNPUBLISHED. RELEASED FOR PUBLICATION 20
 BY TYCO ELECTRONICS CORPORATION. ALL INTERNATIONAL RIGHTS RESERVED.

LOC	DIST	REVISIONS				
P	LTR	DESCRIPTION	DATE	DWN	APVD	
GP	00					
B		REV PER ECO-10-020184	11JAN2011	RG	NE	



- PART NUMBER CHANGES AND/OR DESIGN CHANGES AFFECTING ITEM INTERCHANGEABILITY REQUIRE PRIOR TYCO ELECTRONICS APPROVAL AND AUTHORIZATION BY REVISION TO THIS DRAWING.
- ITEM PROVIDED TO THIS SPECIFICATION SHALL BE IDENTIFIED ON CONTAINER WITH THE FOLLOWING INFORMATION, PART NUMBER AND DATE CODE OF MANUFACTURE.
- MATERIAL:
 INSULATOR - POLYESTER, GLASS FILLED, UL 94 V-0
 RATED COLOR: BLACK
 MODULE: ZINC ALLOY
 CROWN: COPPER ALLOY
 PIN CONTACT: BRASS ALLOY
- FINISH:
 MODULE-SILVER .0002 MIN THK OVER NICKEL .00005 MIN THK OVER COPPER .00001 MIN THK.
 CROWN- GOLD IN CONTACT AREA .00003 MIN THK. OVER NICKEL .00005 MIN THK.
 PIN CONTACT - SILVER PLATE .000200 MIN THK. OVER NICKEL .000040 MIN THK.

$\triangle 5$ A FIVE POUND (5lb) FORCE REQUIRED TO CORRECTLY SEAT THE CONNECTOR WITH THE PLATED THRU HOLES LESS THAN $\phi .040$ INCH.

AS SHOWN	6643266-1
DESCRIPTION	PART NUMBER

<small>THIS DRAWING IS A CONTROLLED DOCUMENT FOR TYCO ELECTRONICS CORPORATION IT IS SUBJECT TO CHANGE AND THE CONTROLLING ENGINEERING ORGANIZATION SHOULD BE CONTACTED FOR THE LATEST REVISION.</small>		DWN 11JAN2011 LOVATO/GRZYBOWSKI CHK D. ORRIS APVD D. ORRIS 11JAN2011 PRODUCT SPEC APPLICATION SPEC WEIGHT CUSTOMER DRAWING	Tyco Electronics Harrisburg, PA 17105-3608 NAME CONNECTOR, PIN, PERPENDICULAR WITH THRU HOLE LOCKING STYLE, ICCON SIZE CAGE CODE DRAWING NO A3 00779 C-6643266 RESTRICTED TO
DIMENSIONS: INCH 	TOLERANCES UNLESS OTHERWISE SPECIFIED: 0 PLC ± 1 PLC ± 2 PLC ± 3 PLC ±.020 4 PLC ± ANGLES ±.5 MATERIAL SEE LIST FINISH -	SCALE 4:1 SHEET 1 OF 1 REV B	