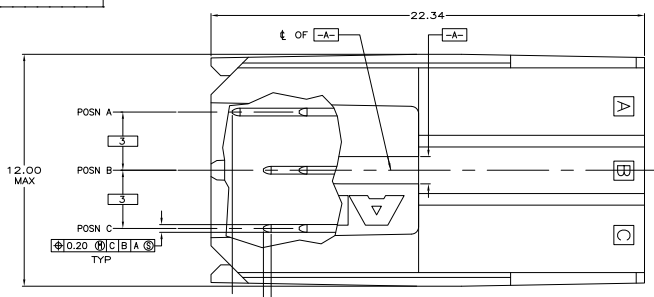
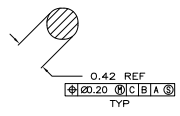
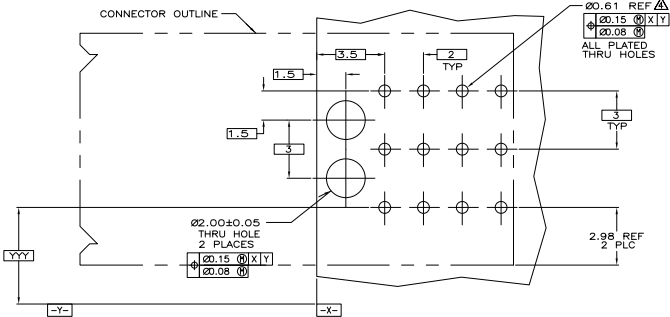
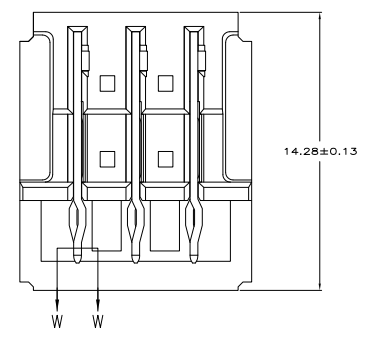
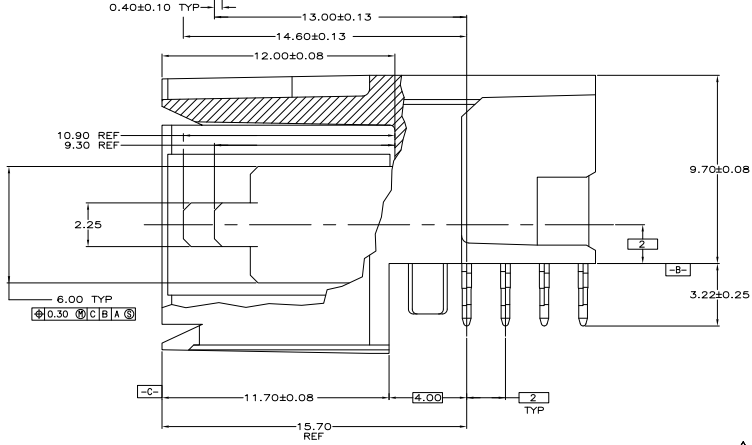
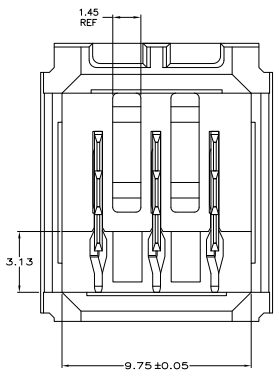


REV	DATE	DESCRIPTION	BY	CHK	APP
AD 00					
F		REVISED PER EDD-11-00046		DHAM11	DH DY



- ▲ MATERIAL: HOUSING: POLYESTER. COLOR: GRAY. UL 94V-0. CONTACT: PHOSPHOR BRONZE.
- ▲ FINISH: CONTACT MATING AREA: 1.27µm MIN GOLD OR 0.08µm MIN GOLD OVER 0.75µm MIN PALLADIUM-NICKEL. ACTION PIN AREA: 0.5µm MIN TIN LEAD PLATE, ALL OVER 1.27µm MIN NICKEL UNDERPLATE.
- ▲ FINISH: CONTACT LUBRICATION WITH BELLCORE APPROVED LUBRICANT. TECHNICAL REFERENCE: TR-NWT-001217 ISSUE 1, SEPT 1992.
- ▲ REFERENCE APPLICATION SPEC 114-1103 FOR RECOMMENDED PLATED THRU HOLE DIAMETER AND PLATING THICKNESSES.
- 5. CURRENT RATING 10A/CONTACT PER PRODUCT SPEC 108-1651.



SECTION W-W
SCALE 40:1

RECOMMENDED PCB HOLE LAYOUT

223968-1
PART NUMBER

THIS DRAWING IS A CONTROLLED DOCUMENT.		DESIGNED BY	APPROVED BY	TYS Electronics Corporation Harrisburg, PA 17105-3608	
DATE	REV	DATE	REV	DATE	REV
11/05	1	11/05	1	11/05	1
DRAWN BY		CHECKED BY		ASSEMBLY, RIGHT ANGLE HEADER, W/ RETENTION PEGS, UNIVERSAL POWER MODULE	
PART NUMBER		DRAWING NO		REVISED TO	
223968		A100779		C=223968	
CUSTOMER DRAWING		DATE		REV	
		10-11		1 F	