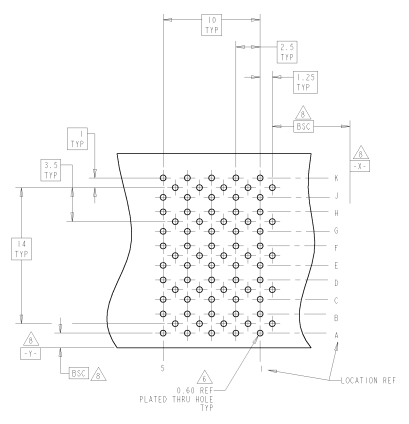
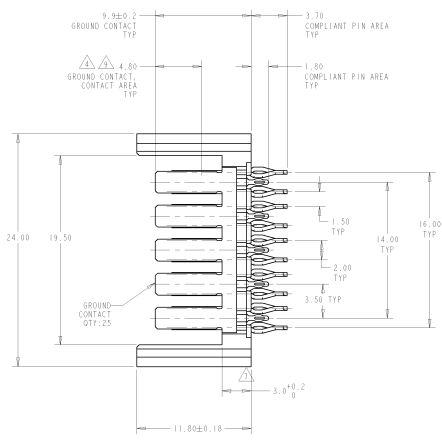
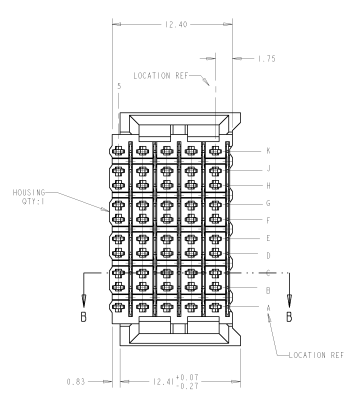
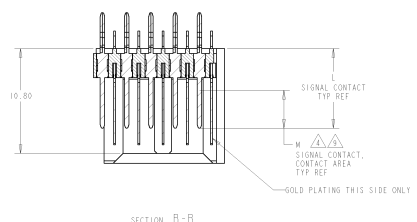


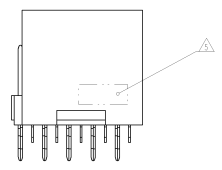
8	7	6	5	4	3	2	1
DATE REVISIONS TO BE MAINTAINED	REVISIONS TO BE MAINTAINED						
AD	00						

REV. NO.		DESCRIPTION		DATE	BY	CHKD	APPD
0		REV PER EC	02-02-04-04		WINGBERG	BC	BP
01		REV PER EC	05-02-05-05		WINGBERG	JRP	BAP

- △ PHOSPHOR BRONZE
- △ LCP, UL94V-0
- △ 0.16µm MIN GOLD OVER 1.27µm MIN NICKEL UNDERPLATE OR GOLD FLASH OVER 0.75µm MIN PALLADIUM-NICKEL OVER 1.27µm MIN NICKEL UNDERPLATE ON CONTACT AREA, 0.16µm MIN TIN LEAD OVER 1.27µm MIN NICKEL ON COMPLIANT PIN AREA
- △ CONNECTOR MARKED WITH PART NUMBER AND DATE CODE
- △ REFERENCE APPLICATION SPEC 114-13020 FOR RECOMMENDED PLATED THRU HOLE DIAMETER AND PLATING THICKNESS.
- △ APPLICATION SEATING HEIGHT TO PRINTED CIRCUIT BOARD
- △ DATINGS AND BASIC DIMENSIONS ESTABLISHED BY CUSTOMER
- △ CONTACT AREA LUBRICATED WITH BELLECORE APPROVED LUBRICANT TECHNICAL REFERENCE: GR-1217-CORE, ISSUE 1, NOVEMBER 1995



RECOMMENDED PRINTED CIRCUIT BOARD LAYOUT
COMPONENT SIDE OF PRINTED CIRCUIT BOARD



5.30	9.7	5120747-2
3.90	8.2	5120747-1
M	L	PART NUMBER

STYRENE Toluene Electronics Harrisburg, PA 17105-1808	
PART NUMBER: 5120747-2 MANUFACTURER: STYRENE DATE CODE: 070204 REVISION: 070204 ORDER CODE: 5120747-2 SPECIFICATION: 5120747-2 CUSTOMER DRAWING: 5120747-2	PART NUMBER: 5120747-2 MANUFACTURER: STYRENE DATE CODE: 070204 REVISION: 070204 ORDER CODE: 5120747-2 SPECIFICATION: 5120747-2 CUSTOMER DRAWING: 5120747-2