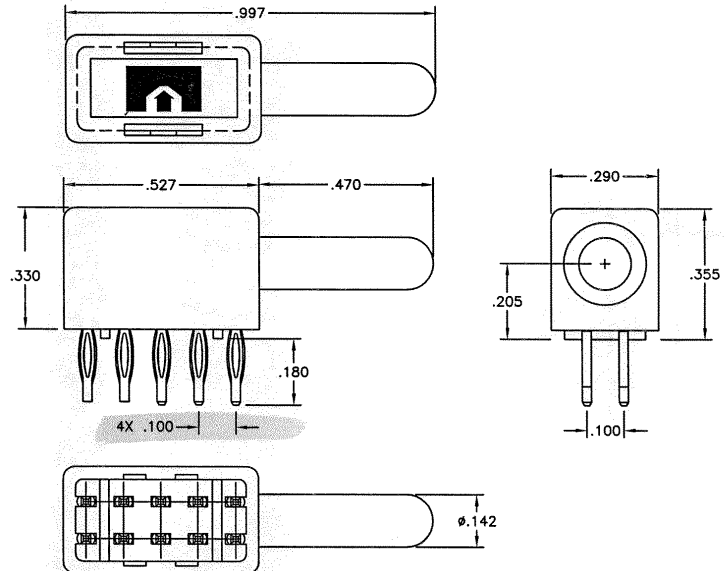


This drawing involves proprietary design rights of Tyco Electronics Corporation and all design, manufacture, reproduction, use and sale rights regarding the same are expressly reserved. It is submitted for a specific purpose and the recipient by accepting this drawing, assumes custody and control and agrees to the following provisions: (1) that this drawing will not be copied and reproduced in whole or in part, or its contents revealed in any manner, or to any person except to meet the purpose for which it was delivered and (2) that any special features peculiar to this design will not be incorporated in other projects without the expressed written permission of Tyco Electronics Corporation.

| REVISIONS | | | |
|-----------|-----|-------------|----------|
| EC | REV | DESCRIPTION | DATE |
| | A | NEW RELEASE | 07.27.05 |



6. REFERENCE TYCO ASSEMBLY PART NUMBER 6643222-1

▲ A FIVE-POUND (5lb) FORCES REQUIRED TO CORRECTLY SEAT THE CONNECTOR WITH PLATED THRU HOLES LESS THEN Ø.040 INCH.

4. FINISH:
 CROWN HOLDER - SILVER PLATED
 CROWN - GOLD PLATED
 PIN CONTACT - SILVER PLATED

3. MATERIAL:
 INSULATOR - POLYESTER, GLASS FILLED, UL 94 V-0 RATED COLOR-BLACK
 CROWN HOLDER - PHOSPHOR BRONZE
 CROWN - BECU
 PIN CONTACT - BRASS

2. ITEMS PROVIDED TO THIS SPECIFICATION SHALL BE IDENTIFIED ON CONTAINER WITH THE FOLLOWING INFORMATION PART NUMBER AND DATE CODE OF MANUFACTURE.

1. PART NUMBER CHANGES AND/OR DESIGN CHANGES AFFECTING ITEM INTERCHANGEABILITY REQUIRE PRIOR TYCO APPROVAL AND AUTHORIZATION BY REVISION TO THIS DRAWING.

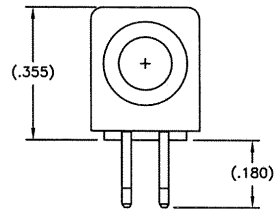
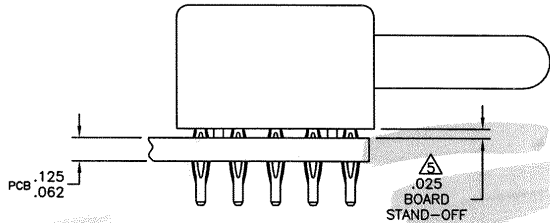
NOTES: UNLESS OTHERWISE SPECIFIED

| | | | | |
|---|--|---------------------------------|--|--|
| <small>INCH OR INCH (MM)</small> <small>THIRD ANGLE PROJECTION</small> <small>UNLESS OTHERWISE SPECIFIED DIMENSIONS ARE IN INCHES (METRIC)</small> <small>TOLERANCES</small> <small>ANGLES ± .5°</small> <small>DECIMALS</small> <small>.XXX ±.020 [.508]</small> <small>.XX ±</small> | <small>DRAWN</small> RHM/LOVATO | <small>DATE</small> 07.27.05 | Tyco Electronics Corporation Menlo Park, Ca 94025 | |
| | <small>CHECKED</small> APPROVED | | <small>TITLE</small> PARALLEL PIN, SLIMLINE IC CON COMPLIANT, NON-LOCKING, .470 PIN EXT | |
| | <small>DCA APPROVED</small> | | <small>SIZE</small> B | <small>DWG NUMBER</small> C = 6643222 |
| | <small>ACAD FILE NUMBER</small> C6643222A.DWG | | <small>REV.</small> A | |

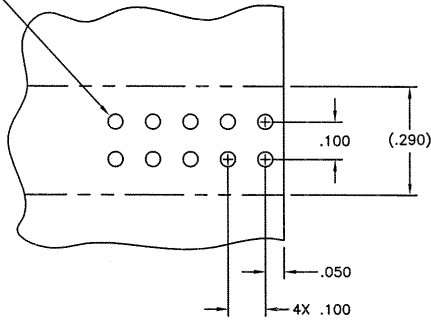
DWG SCALE 4=1 SH 1 OF 2

This drawing involves proprietary design rights of Tyco Electronics Corporation, and all design, manufacturing, reproduction, use and sale rights regarding the same are expressly reserved. It is admitted for a specific purpose and the recipient by accepting this drawing, assumes custody and control and agrees to take reasonable precautions: (a) that this drawing will not be copied and reproduced in whole or in part, or its contents revealed in any manner, or be any means except to meet the purpose for which it was delivered and (b) that any special features peculiar to this design will not be incorporated in other projects without the expressed written permission of Tyco Electronics Corporation.

| REVISIONS | | | |
|-----------|-----|-------------|------|
| EC | REV | DESCRIPTION | DATE |
| | | SEE SHEET 1 | |



DRILLED HOLE DIAMETER
 $.0453 \pm .001$
 AFTER PLATING
 $\phi .043 / .037$ 10X



SUGGESTED PCB FOOTPRINT

| | | | | |
|---|------------------------------------|---|--|--------------------------------------|
| <small>INCH OR INCH (MM)</small> <small>THIRD ANGLE PROJECTION</small> | <small>DRAWN</small> RHM/LOVATO | <small>DATE</small> 07.27.05 | Tyco Electronics Corporation Menlo Park, Ca 94025 | |
| <small>UNLESS OTHERWISE SPECIFIED DIMENSIONS ARE IN INCHES (METRIC)</small> | <small>CHECKED</small> APPROVED | <small>TITLE</small> PARALLEL PIN, SLIMLINE ICCON COMPLIANT, NON-LOCKING, .470 PIN EXT | <small>SIZE</small> B | <small>DWG NUMBER</small> 6643222 |
| <small>TOLERANCES</small> ANGLES $\pm .5^\circ$ DECIMALS .XXX $\pm .020$ [.508] .XX \pm | <small>DCA APPROVED</small> | <small>REV.</small> A | <small>DWG SCALE</small> 4=1 | <small>SH</small> 2 OF 2 |
| <small>ACAD FILE NUMBER</small> C6643222A.DWG | | | | |