

4

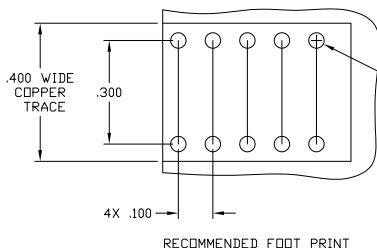
3

2

1

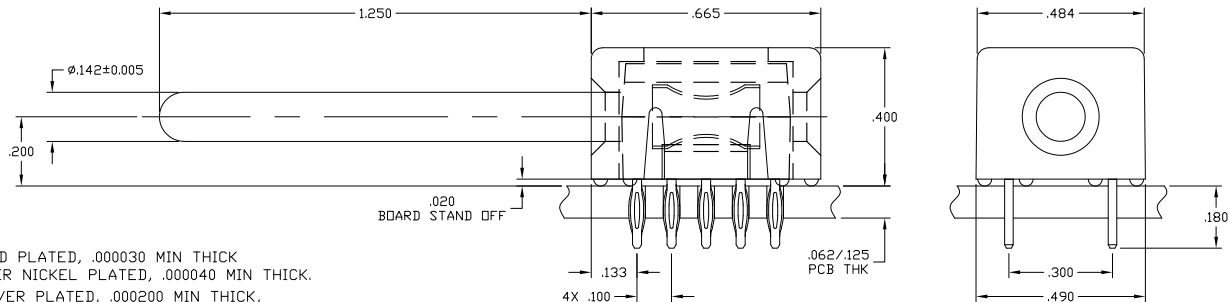
THIS DRAWING IS UNPUBLISHED. RELEASED FOR PUBLICATION
 © COPYRIGHT - BY TYCO ELECTRONICS CORPORATION. ALL INTERNATIONAL RIGHTS RESERVED.

LOC	DIST	REVISIONS				
P	LTR	DESCRIPTION	DATE	DWN	APVD	
GP	00					
B		REV PER ECO-10-020184	12JAN2011	RG	NE	



RECOMMENDED PRINTED CIRCUIT HOLE
 COMPLIANT PRESS FIT
 DRILLED HOLE: $\phi 0.0453 \pm 0.0005$
 COPPER PLATE: .0010 - .0020 (PER SURFACE)
 TIN PLATE: .00002 MINIMUM (PER SURFACE)
 10X

RECOMMENDED FOOT PRINT



4. FINISHES:
- CROWN: GOLD PLATED, .000030 MIN THICK
 OVER NICKEL PLATED, .000040 MIN THICK.
 - INSERT: SILVER PLATED, .000200 MIN THICK,
 OVER NICKEL PLATED, .000040 MIN THICK.
 - COMPLIANT TAIL: SILVER PLATED, .000200 MIN THICK,
 OVER NICKEL PLATED, .000040 MIN THICK.
 - CONTACT: SILVER PLATED, .000200 MIN THICK,
 OVER ELECTROLESS NICKEL PLATED, .000040 MIN THICK.

3. MATERIALS:
- HOUSING: THERMOPLASTIC, GLASS REINFORCED, COLOR-BLACK
 UL94V-0 FLAMMABILITY RATED
 - CROWN: COPPER ALLOY
 - INSERT: ZINC ALLOY, CASTING
 - CONTACT: BRASS ALLOY
 - COMPLIANT TAIL: PHOSPHOR BRONZE ALLOY

2. ITEMS PROVIDED TO THIS SPECIFICATION SHALL BE IDENTIFIED ON THE CONTAINER WITH THE FOLLOWING INFORMATION: PART NUMBER & DATE CODE OF MANUFACTURE.

1. PART NUMBER CHANGES AND OR DESIGN CHANGES AFFECTING ITEM INTERCHANGEABILITY REQUIRE PRIOR TYCO APPROVAL AND AUTHORIZATION BY REVISION TO THIS DRAWING.

5. FOR APPLICATIONS UTILIZING AN IMMERSION SILVER PLATED PCB. CONSULT TYCO ENGINEERING.

6643445-1
 PART NUMBER

THIS DRAWING IS A CONTROLLED DOCUMENT.		DWN HA/GRZYBOWSKI	12JAN2011	 Tyco Electronics Corporation Harrisburg, PA 17105-3608
DIMENSIONS: INCHES		CHK ORRIS		
		APVD FLICKINGER/ORRIS	12JAN2011	NAME ICCON, PIN, SIZE No.8, PARALLEL COMPLIANT TAIL, 10 PIN FOOT PRINT NON LOCKING STYLE, 1.250 PIN EXT.
TOLERANCES UNLESS OTHERWISE SPECIFIED:		PRODUCT SPEC		SIZE A3
0 PLC ± - 1 PLC ± - 2 PLC ± .02 3 PLC ± .010 4 PLC ± - ANGLES ± .5		APPLICATION SPEC		CAGE CODE 00779
MATERIAL		WEIGHT		DRAWING NO 6643445
FINISH		CUSTOMER DRAWING		RESTRICTED TO -
			SCALE 4:1	SHEET 1 OF 1
				REV B