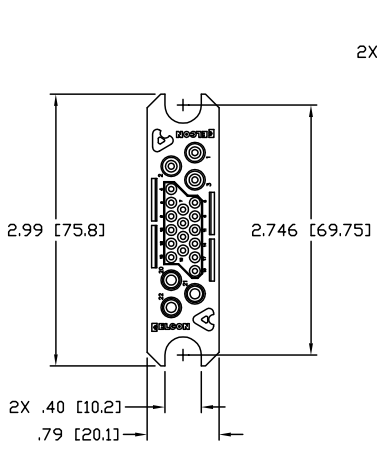
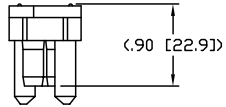


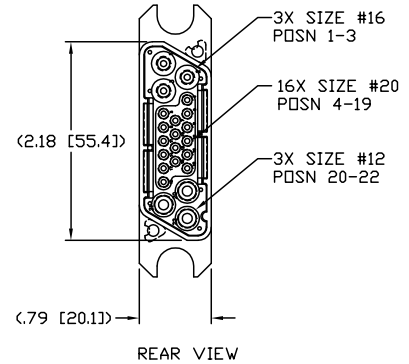
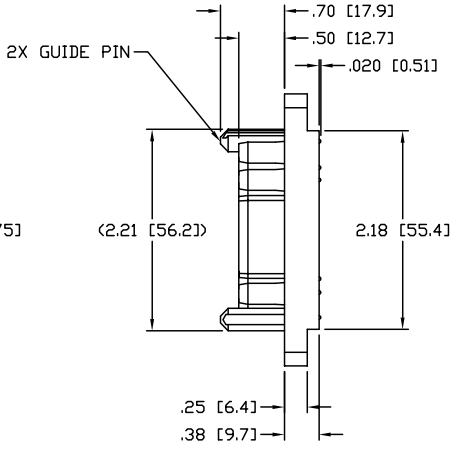
4	3	2	1																				
<table border="1" style="width:100%; border-collapse: collapse;"> <tr> <th colspan="4" style="text-align: center;">REVISIONS</th> </tr> <tr> <th style="width:10%;">EC</th> <th style="width:10%;">REV</th> <th style="width:70%;">DESCRIPTION</th> <th style="width:10%;">DATE</th> </tr> <tr> <td style="text-align: center;">CPR</td> <td style="text-align: center;">A</td> <td>NEW RELEASE</td> <td style="text-align: center;">03/09/06</td> </tr> </table>				REVISIONS				EC	REV	DESCRIPTION	DATE	CPR	A	NEW RELEASE	03/09/06								
REVISIONS																							
EC	REV	DESCRIPTION	DATE																				
CPR	A	NEW RELEASE	03/09/06																				
<p style="font-size: 8px; margin: 0;">This drawing involves proprietary design rights of Tyco Electronics Corporation, and all design, manufacture, reproduction, use and sale rights regarding the same are expressly reserved. It is submitted for a specific purpose and the recipient by accepting this drawing, assumes custody and control and agrees to take reasonable precautions: (a) that this drawing will not be copied and reproduced, in whole or in part, or its contents, revealed in any manner, or in any form, except to meet the purpose for which it was delivered and (b) that any special features peculiar to this design will not be incorporated in other projects without the expressed written permission of Tyco Electronics Corporation.</p>																							
<table border="1" style="width:100%; border-collapse: collapse;"> <tr> <th colspan="4" style="text-align: center;">TYPICAL SPECIFICATION TABLE</th> </tr> <tr> <th style="width:15%;">POSITION</th> <th style="width:15%;">CONTACT SIZE</th> <th style="width:15%;">RATING</th> <th style="width:15%;">VOLTAGE RATING</th> </tr> <tr> <td style="text-align: center;">1 - 3</td> <td style="text-align: center;">#16</td> <td style="text-align: center;">15 AMPERES</td> <td style="text-align: center;">250 VOLTS</td> </tr> <tr> <td style="text-align: center;">4 - 19</td> <td style="text-align: center;">#20</td> <td style="text-align: center;">5 AMPERES</td> <td style="text-align: center;">250 VOLTS</td> </tr> <tr> <td style="text-align: center;">20 - 22</td> <td style="text-align: center;">#12</td> <td style="text-align: center;">35 AMPERES</td> <td style="text-align: center;">250 VOLTS</td> </tr> </table>				TYPICAL SPECIFICATION TABLE				POSITION	CONTACT SIZE	RATING	VOLTAGE RATING	1 - 3	#16	15 AMPERES	250 VOLTS	4 - 19	#20	5 AMPERES	250 VOLTS	20 - 22	#12	35 AMPERES	250 VOLTS
TYPICAL SPECIFICATION TABLE																							
POSITION	CONTACT SIZE	RATING	VOLTAGE RATING																				
1 - 3	#16	15 AMPERES	250 VOLTS																				
4 - 19	#20	5 AMPERES	250 VOLTS																				
20 - 22	#12	35 AMPERES	250 VOLTS																				
<p>6. ITEMS PROVIDED TO THIS SPECIFICATION TO BE PERMANENTLY IDENTIFIED PER THE FOLLOWING IDENTIFIER:</p> <p style="text-align: center;">YEAR <u> </u> WEEK <u> </u></p> <p>TYCO PART NUMBER DATE CODE (e.g. 0625)</p> <p style="margin-left: 40px;"> ----- ----- </p> <p style="margin-left: 40px;"> XXXXXXXX-X XXXX </p>																							
<p>5. ALL DIMENSIONS SHOWN ACROSS A CENTERLINE (⊥) SHALL BE CENTRALIZED WITHIN THE TOLERANCE INDICATED FOR THAT DIMENSION.</p> <p>4. A REFERENCE DIMENSION (.XXX) IS WITHOUT TOLERANCE AND USED FOR INFORMATION PURPOSE ONLY.</p> <p>3. RECOMMENDED MOUNTING HARDWARE: TO BE ORDERED SEPARATELY.</p> <ul style="list-style-type: none"> - FOR PANEL MOUNTING, USE <ul style="list-style-type: none"> 1650402-1: SHOULDER SCREW, #8-32 1650106-1: SHOULDER SCREW, #6-32 1650589-1: SHOULDER SCREW, M4X0.7 - FOR PCB MOUNTING, USE COMMERCIALY AVAILABLE SCREW AND WASHER (IF REQUIRED). <p>2. MATERIALS:</p> <p style="margin-left: 40px;">HOUSING: THERMOPLASTIC, GLASS REINFORCED, COLOR-BLACK UL94V-0 FLAMMABILITY RATED.</p> <p style="margin-left: 40px;">RETENTION CLIP: COPPER ALLOY OR STAINLESS STEEL</p> <p>1. PART NUMBER CHANGES AND OR DESIGN CHANGES AFFECTING ITEM INTERCHANGEABILITY REQUIRE PRIOR ELCON APPROVAL AND AUTHORIZATION BY REVISION TO THIS DRAWING.</p> <p>NOTES: UNLESS OTHERWISE SPECIFIED</p>																							
<table border="1" style="width:100%; border-collapse: collapse;"> <tr> <td style="width:15%; text-align: center;">1648117-1</td> <td style="width:85%; text-align: center;">AS SHOWN</td> </tr> <tr> <td style="text-align: center;">PART NUMBER</td> <td style="text-align: center;">DESCRIPTION</td> </tr> <tr> <td colspan="2" style="text-align: center;"> Tyco Electronics Corporation Menlo Park, Ca 94025 </td> </tr> <tr> <td colspan="2" style="text-align: center;"> TITLE CONNECTOR, SOCKET HOUSING #16, #20, #12 CONFIGURATION MINI DRAWER </td> </tr> <tr> <td style="width:10%; text-align: center;">SIZE</td> <td style="width:70%; text-align: center;">DWG NUMBER</td> </tr> <tr> <td style="text-align: center;">B</td> <td style="text-align: center;">C- 1648117</td> </tr> <tr> <td style="width:10%; text-align: center;">REV.</td> <td style="width:90%; text-align: center;">A</td> </tr> <tr> <td style="width:15%; text-align: center;">ACAD FILE NUMBER</td> <td style="width:85%; text-align: center;">C1648117A.DWG</td> </tr> <tr> <td style="width:15%; text-align: center;">DWG SCALE</td> <td style="width:85%; text-align: center;">1=1 SH 1 OF 3</td> </tr> </table>				1648117-1	AS SHOWN	PART NUMBER	DESCRIPTION	Tyco Electronics Corporation Menlo Park, Ca 94025		TITLE CONNECTOR, SOCKET HOUSING #16, #20, #12 CONFIGURATION MINI DRAWER		SIZE	DWG NUMBER	B	C- 1648117	REV.	A	ACAD FILE NUMBER	C1648117A.DWG	DWG SCALE	1=1 SH 1 OF 3		
1648117-1	AS SHOWN																						
PART NUMBER	DESCRIPTION																						
Tyco Electronics Corporation Menlo Park, Ca 94025																							
TITLE CONNECTOR, SOCKET HOUSING #16, #20, #12 CONFIGURATION MINI DRAWER																							
SIZE	DWG NUMBER																						
B	C- 1648117																						
REV.	A																						
ACAD FILE NUMBER	C1648117A.DWG																						
DWG SCALE	1=1 SH 1 OF 3																						
4	3	2	1																				

This drawing involves proprietary design rights of Tyco Electronics Corporation, and all design, manufacture, reproduction, use and sale rights regarding the same are expressly reserved. It is submitted for a specific purpose and the recipient by accepting this drawing, assumes custody and control and agrees to take reasonable precautions: (a) that this drawing will not be copied and reproduced, in whole or in part, or its contents, revealed in any manner, or in any form, except in most (b) purpose for which it was delivered and (c) that any special features peculiar to this design will not be incorporated in other projects without the expressed written permission of Tyco Electronics Corporation.

REVISIONS			
EC	REV	DESCRIPTION	DATE
		SEE SHEET 1	



FRONT VIEW



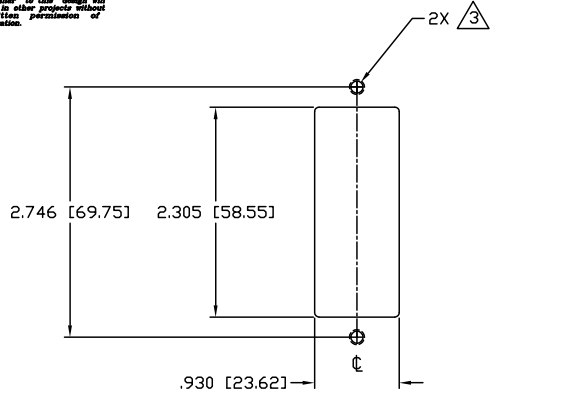
REAR VIEW

<small>INCH OR INCH (MM)</small> <small>THIRD ANGLE PROJECTION</small> <small>UNLESS OTHERWISE SPECIFIED DIMENSIONS ARE IN INCHES (METRIC)</small> <small>TOLERANCES</small> <small>ANGLES ± .5°</small> <small>DECIMALS</small> <small>.XXX ± .010 (.25)</small> <small>.XX ± .02 (.3)</small>	<small>DRAWN</small> HA NGUYEN	<small>DATE</small> 03/09/06	Tyco Electronics Corporation Menlo Park, Ca 94025		
	<small>CHECKED</small> APPROVED		<small>TITLE</small> CONNECTOR, SOCKET HOUSING #16, #20, #12 CONFIGURATION MINI DRAWER		
	<small>APPROVED</small> STEVE FLICKINGER DCA APPROVED	<small>DATE</small> 03/09/06	<small>SIZE</small> B	<small>DWG NUMBER</small> C-1648117	<small>REV.</small> A
	<small>ACAD FILE NUMBER</small> C1648117A.DWG			<small>DWG SCALE</small> 1=1	<small>SH</small> 2 OF 3

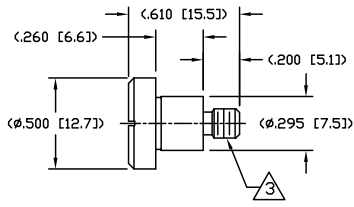
4 3 2 1

This drawing involves proprietary design rights of Tyco Electronics Corporation, and all design, manufacture, reproduction, use and sale rights regarding the same are expressly reserved. It is submitted for a specific purpose and the recipient by accepting this drawing, assumes custody and control and agrees to take reasonable precautions: (a) that this drawing will not be copied and reproduced in whole or in part, or its contents, revealed in any manner, or in any form, except in most (b) purpose for which it was delivered and (c) that any special features peculiar to this design will not be incorporated in other projects without the expressed written permission of Tyco Electronics Corporation.

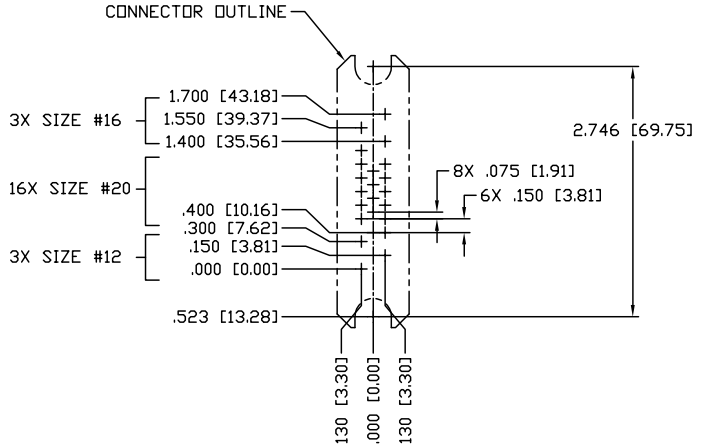
REVISIONS			
EC	REV	DESCRIPTION	DATE
		SEE SHEET 1	



RECOMMENDED PANEL CUTOUT
AS VIEWED FROM CONNECTOR MOUNTING SIDE
(FRONT VIEW)



SHOULDER SCREW
SCALE 2:1
SHOWN FOR REFERENCE ONLY



CONTACT LAYOUT
AS VIEWED FROM CONNECTOR MOUNTING SIDE
(FRONT VIEW)

<small>INCH OR INCH (MM)</small> 	<small>DRAWN</small> HA NGUYEN	<small>DATE</small> 03/09/06	Tyco Electronics Corporation Menlo Park, Ca 94025	
<small>THIRD ANGLE PROJECTION</small>	<small>CHECKED</small>		<small>TITLE</small> USER INFORMATION RECOMMENDED PANEL CUTOUT AND CONTACT LAYOUT	
<small>UNLESS OTHERWISE SPECIFIED DIMENSIONS ARE IN INCHES (METRIC)</small>	<small>APPROVED</small>		<small>REV.</small> A	
<small>TOLERANCES</small> ANGLES ± .5° DECIMALS .XXX ± .010 (.25) .XX ± .02 (.3)	<small>APPROVED</small> STEVE FLICKINGER DCA APPROVED HA NGUYEN	<small>DATE</small> 03/09/06 03/09/06	<small>SIZE</small> B	<small>DWG NUMBER</small> C- 1648117
	<small>ACAD FILE NUMBER</small> C1648117A.DWG		<small>DWG SCALE</small> 1=1	<small>SH</small> 3 OF 3

4 3 2 1

B

B

A

A

4 3 2 1