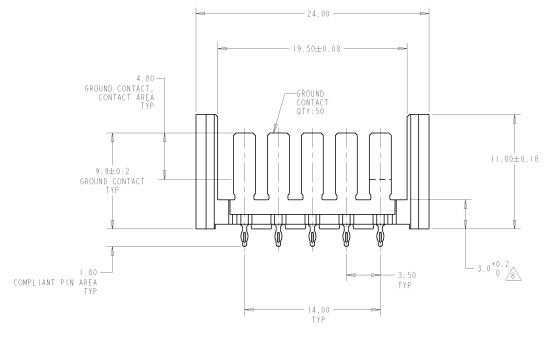
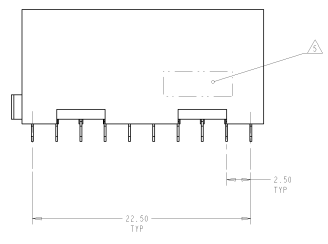
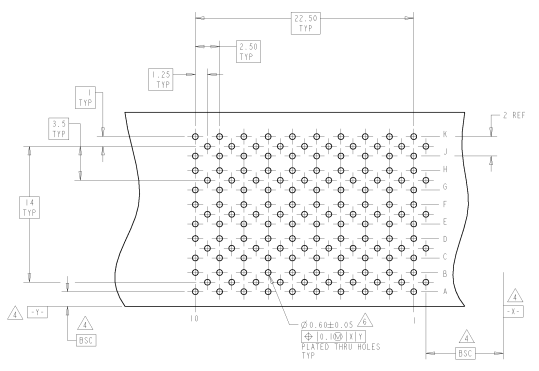
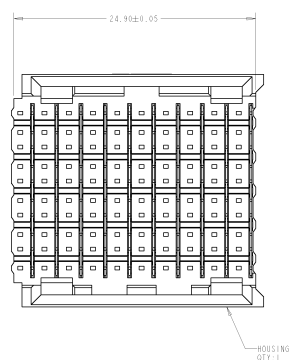


REV.	DATE	DESCRIPTION	BY	CHKD.	APPD.
1	08-10-88	RELEASED PER 0010-0108-88 BY NAS 91 0859-88	DAKIN	DAS	BWA
2	08-10-88	REVISED PER 0010-0078-81	DAKIN	DAS	BAP
3	-	-	-	-	-
4	-	-	-	-	-

- ▲ GOLD FLASH OVER 0.76µm MIN PALLADIUM NICKEL OVER 1.27µm MIN NICKEL ON CONTACT AREA  
0.5µm MIN TIN LEAD OVER 1.27µm MIN NICKEL ON COMPLIANT PIN AREA
- ▲ PHOSPHOR BRONZE
- ▲ GLASS FILLED POLYESTER
- ▲ DATUMS AND BASIC DIMENSIONS ESTABLISHED BY CUSTOMER
- ▲ CONNECTOR MARKED WITH PART NUMBER AND DATE CODE
- ▲ DRILLED HOLE DIAMETER 0.76±0.025  
FINISHED HOLE DIA. 0.80±0.05 REF  
COPPER THICKNESS 0.025-0.050  
TIN LEAD THICKNESS 0.014-0.010
- ▲ CONTACT AREA LUBRICATED WITH BELLCORE APPROVED LUBRICANT  
TECHNICAL REFERENCE: GR-1217-CORE, ISSUE 1, NOVEMBER 1995
- ▲ APPLICATION SEATING HEIGHT TO PRINTED CIRCUIT BOARD



120663-1  
PART NUMBER

<b>SHRODD</b> SHRODD ELECTRONICS 10 ROW, BACKPLANE CONNECTOR, Z-PACK HCS		<b>Shrodd</b> Thin Electronics Harrisburg, PA 17105-8800	
PART NUMBER: 120663-1 REV: 1 DATE: 08-10-88 BY: DAKIN CHECKED: DAS APPROVED: BWA	DRAWING NO: 120663-1 REV: 1 DATE: 08-10-88 BY: DAKIN CHECKED: DAS APPROVED: BWA	PART NUMBER: 120663-1 REV: 1 DATE: 08-10-88 BY: DAKIN CHECKED: DAS APPROVED: BWA	PART NUMBER: 120663-1 REV: 1 DATE: 08-10-88 BY: DAKIN CHECKED: DAS APPROVED: BWA