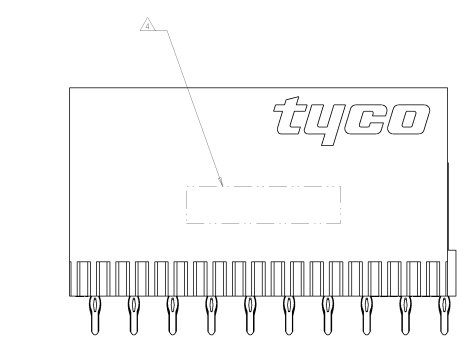
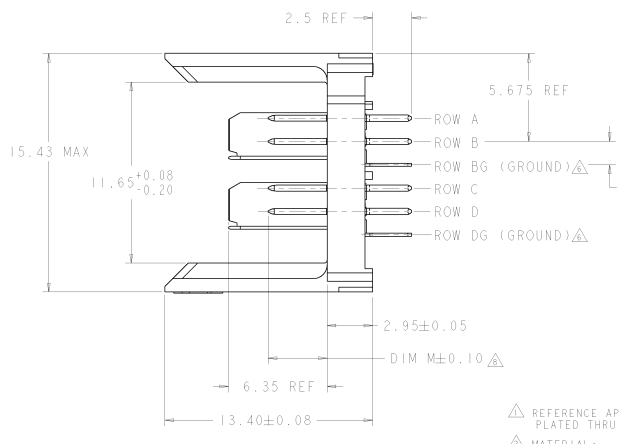
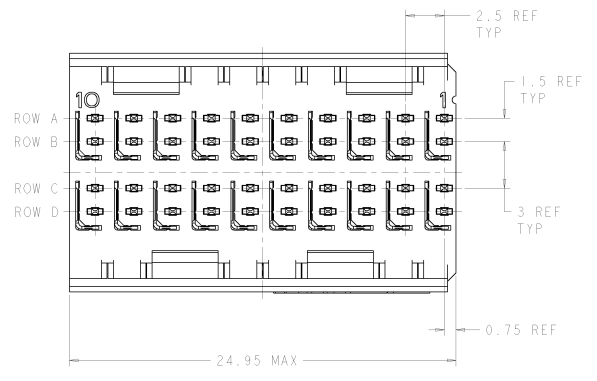
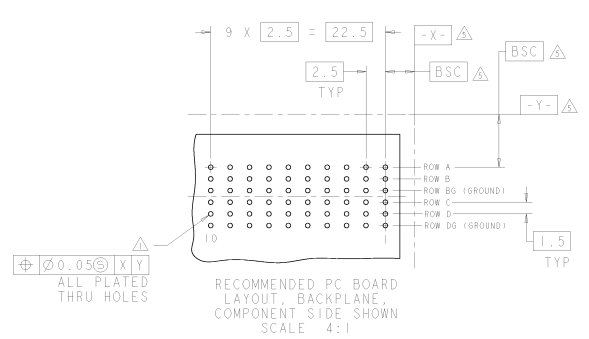


REV. NO.		REV. DATE		REV. DESCRIPTION	
AD	00				
T	1	0	01/12/03	RELEASED PER 0312-0255-03	HAUNDRY GJM BAP
A	1	0	03/12/03	REV PER 0312-0442-03	ANDREWS RO BP
A1	1	0	03/12/03	REV PER ECU-01-010141	STANGHAI BC BP



- △ REFERENCE APPLICATION SPEC 114-13059 FOR RECOMMENDED PLATED THRU HOLE DIAMETER AND PLATING THICKNESSES.
- △ MATERIAL:
CONTACT AND SHIELD - PHOSPHOR BRONZE
HOUSING - GLASS FILLED POLYESTER, UL 94V-0.
- △ FINISH: CONTACT AND SHIELD
MATING AREA - 0.74µm MIN GOLD OVER 1.27µm MIN NICKEL
COMPLIANT PIN AREA - 0.5µm MIN BRIGHT TIN-LEAD OVER 1.27µm MIN NICKEL
- △ CONNECTOR MARKED WITH PART NUMBER AND DATE CODE.
- △ DATUMS AND BASIC DIMENSIONS ESTABLISHED BY CUSTOMER.
- △ THE TWO GROUNDS IN EACH COLUMN ARE COMMONED.
- 7. CONTACT AREA LUBRICATED WITH BELLCORE APPROVED LUBRICANT. TECHNICAL REFERENCE: GR-1217-CORE, ISSUE 1, NOVEMBER 1995.
- △ REFER TO "CONTACT LAYOUT" CHART FOR SEQUENCING.



CONTACT LAYOUT
A = 3.20mm (DIM M)
B = 5.30mm (DIM M)
G = GROUND

		COLUMNS									
		10	9	8	7	6	5	4	3	2	1
ROWS	A	A	B	B	B	B	B	B	B	B	A
	B	A	B	B	B	B	B	B	B	B	A
	BG	G	G	G	G	G	G	G	G	G	G
	C	A	B	B	B	B	B	B	B	B	A
	D	A	B	B	B	B	B	B	B	B	A
DG	G	G	G	G	G	G	G	G	G	G	

149334-1
PART NUMBER

TYPICAL ELECTRONICS CORPORATION 1449334-1 (REV. 00) DATE: 01/12/03 BY: TYPICAL ELECTRONICS CORPORATION, 1449334-1 (REV. 00)		TYPICAL ELECTRONICS CORPORATION 1449334-1 (REV. 00) DATE: 01/12/03 BY: TYPICAL ELECTRONICS CORPORATION, 1449334-1 (REV. 00)	
MATERIAL: PHOSPHOR BRONZE HOUSING: GLASS FILLED POLYESTER, UL 94V-0		FINISH: CONTACT AND SHIELD MATING AREA - 0.74µm MIN GOLD OVER 1.27µm MIN NICKEL COMPLIANT PIN AREA - 0.5µm MIN BRIGHT TIN-LEAD OVER 1.27µm MIN NICKEL	
PART NUMBER: 1449334-1 DATE CODE: 01/02/03		CUSTOMER DRAWING: A 00778 (C)-149334	