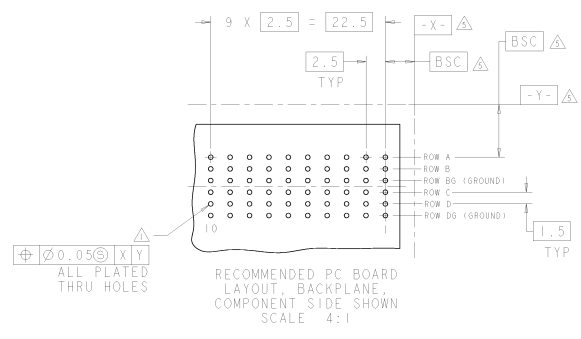
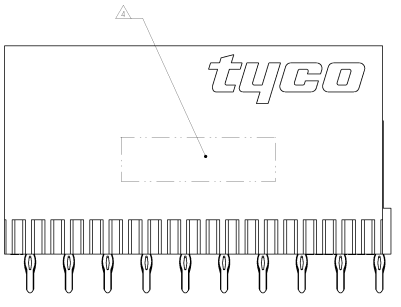
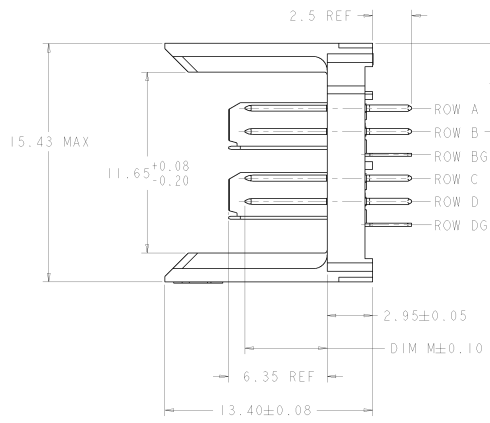
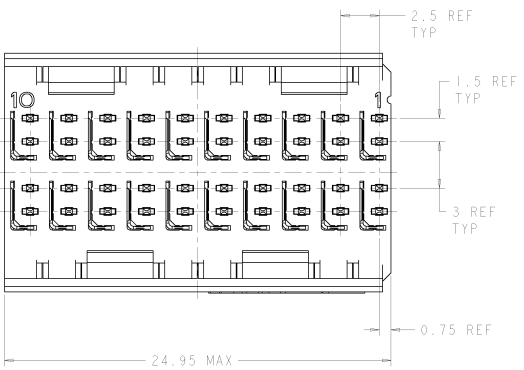


REV	DATE	DESCRIPTION
1	00	RELEASED PER EC 0512-052-02
2		REVISED PER 0512-0324-02
3		REV PER 0512-0424-03
4		REV PER ECO-01-910141

REV	DATE	DESCRIPTION	DATE	INIT	BY
1	00	RELEASED PER EC 0512-052-02	06/06/02	DMB	DMB
2		REVISED PER 0512-0324-02	07/04/02	JWM	JWM
3		REV PER 0512-0424-03	07/04/03	DMB	DMB
4		REV PER ECO-01-910141	08/08/03	BC	BC



- △ REFERENCE APPLICATION SPEC 114-13059 FOR RECOMMENDED PLATED THRU HOLE DIAMETER AND PLATING THICKNESSES.
- △ MATERIAL:
CONTACT AND SHIELD - PHOSPHOR BRONZE
HOUSING - GLASS FILLED POLYESTER, UL 94V-0.
- △ FINISH: CONTACT AND SHIELD
MATING AREA - 0.74µm MIN GOLD OVER 1.27µm MIN NICKEL
COMPLIANT PIN AREA - 0.5µm MIN BRIGHT TIN-LEAD OVER 1.27µm MIN NICKEL
- △ CONNECTOR MARKED WITH PART NUMBER AND DATE CODE.
- △ DATUMS AND BASIC DIMENSIONS ESTABLISHED BY CUSTOMER.
- △ THE TWO GROUNDS IN EACH COLUMN ARE COMMONED.
- 7. CONTACT AREA LUBRICATED WITH BELLCORE APPROVED LUBRICANT. TECHNICAL REFERENCE: GR-1217-CORE, ISSUE 1, NOVEMBER 1995.

3-80	1489025-2
5-30	1489025-1
DIM M	PART NUMBER

Tyco Electronics		Tyco Electronics	
3000 North Lincoln Avenue, P.O. Box 1000, Harrisburg, PA 17105-1000		3000 North Lincoln Avenue, P.O. Box 1000, Harrisburg, PA 17105-1000	
DATE: 08/08/03	REV: 01	DATE: 08/08/03	REV: 01
CUSTOMER DRAWING		CUSTOMER DRAWING	