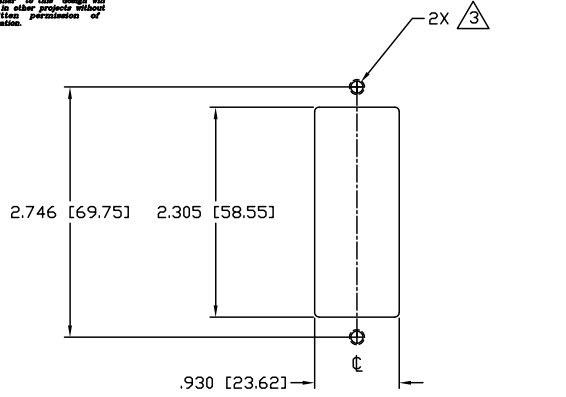
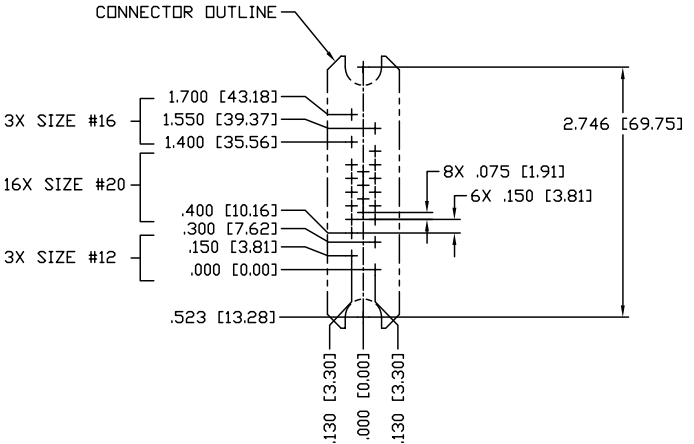


This drawing involves proprietary design rights of Tyco Electronics Corporation, and all design, manufacture, reproduction, use and sale rights regarding the same are expressly reserved. It is submitted for a specific purpose and the recipient by accepting this drawing, assumes custody and control and agrees to take reasonable precautions: (a) that this drawing will not be copied and reproduced in whole or in part, or its contents, revealed in any manner, or in any form, except to meet the purpose for which it was delivered and (b) that any special feature peculiar to this design will not be incorporated in other projects without the expressed written permission of Tyco Electronics Corporation.

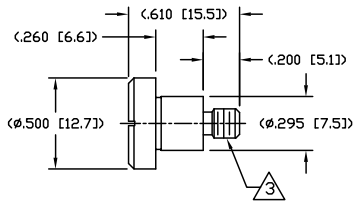
REVISIONS			
EC	REV	DESCRIPTION	DATE
		SEE SHEET 1	



RECOMMENDED PANEL CUTOUT  
AS VIEWED FROM CONNECTOR MOUNTING SIDE  
(FRONT VIEW)



CONNECTOR OUTLINE  
CONTACT LAYOUT  
AS VIEWED FROM CONNECTOR MOUNTING SIDE  
(FRONT VIEW)



SHOULDER SCREW  
SCALE 2:1  
SHOWN FOR REFERENCE ONLY

INCH OR INCH (MM) THIRD ANGLE PROJECTION UNLESS OTHERWISE SPECIFIED DIMENSIONS ARE IN INCHES (METRIC)	DRAWN HA NGUYEN	DATE 03/04/06	Tyco Electronics Corporation Menlo Park, Ca 94025 	TITLE USER INFORMATION RECOMMENDED PANEL CUTOUT AND CONTACT LAYOUT
	CHECKED	APPROVED STEVE FLICKINGER		
TOLERANCES ANGLES ± .5° DECIMALS .XXX ± .010 (.25) .XX ± .02 (.3)	APPROVED DCA APPROVED HA NGUYEN	DATE 03/04/06	SIZE B	DWG NUMBER C- 1648112
ACAD FILE NUMBER C1648112A.DWG			DWG SCALE 1=1	REV. A

DWG SCALE 1=1 SH 3 OF 3