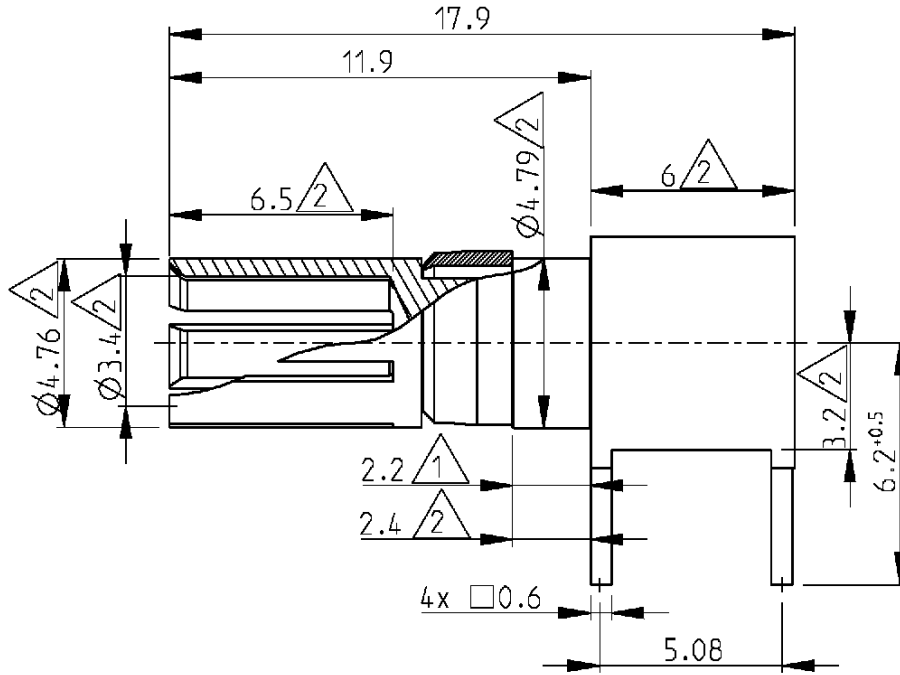
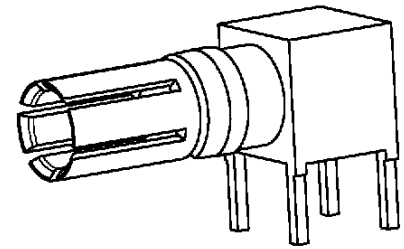


LOC	DIST	REVISIONS						
P	LTR	DESCRIPTION			DATE	DWN	APVD	
GW	-	A1	SR10-0170-01			26APR2001	BL	KM



4) Application : DIN 41612 type M

- 3 Measured with spring moved towards mating face.
- 2 Max dimensions.
- 1 Min dimension.



3:1

Cross reference table

Old part number	Tyco part number	Current	Material	Plating
C42334-A347-A194	2-1393589-9	40 A	CuBe	1 μm Au or Pd in contact area

1:1



2000

RELEASED FOR PUBLICATION

THIS DRAWING IS UNPUBLISHED.

BY TYCO ELECTRONICS CORPORATION. ALL RIGHTS RESERVED.

© COPYRIGHT 2000

DIMENSIONS: mm		DWN B. Lenvain	19APR2001	MATERIAL -		FINISH -	
TOLERANCES UNLESS OTHERWISE SPECIFIED:		CHK K. Mattheeuws	19APR2001	Tyco Electronics Dostkamp - Belgium			
		APVD R. Leeman	19APR2001				
0 PLC #	±	PRODUCT SPEC		NAME High current socket with PCB connection			
1 PLC #		-		SIZE CAGE CODE DRAWING NO RESTRICTED TO			
2 PLC #		-		A 4 00779 C=2-1393589-9			
3 PLC #		-		SCALE 5/1 SHEET 1 OF 1 REV A1			
4 PLC #	-		CUSTOMER DRAWING				
ANGLES ±	-		SCALE 5/1 SHEET 1 OF 1 REV A1				