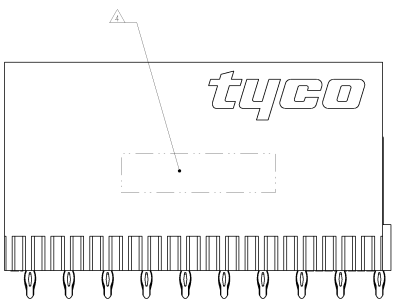
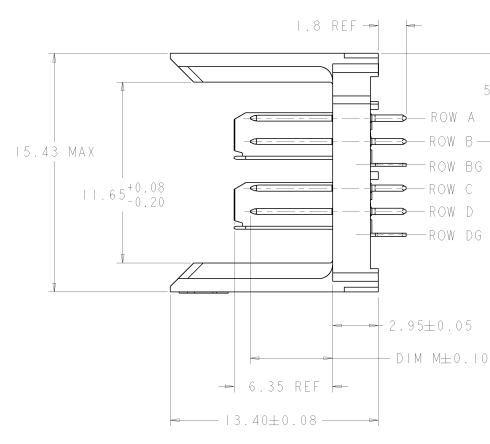
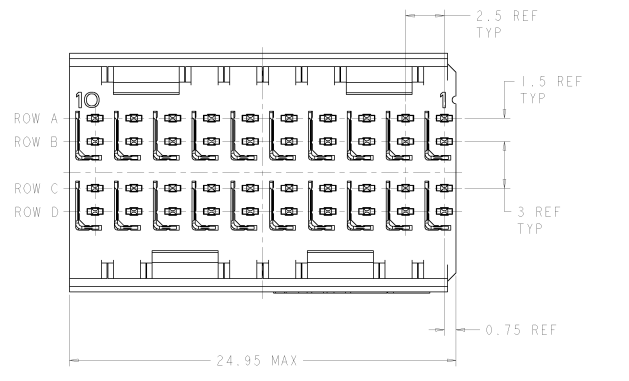
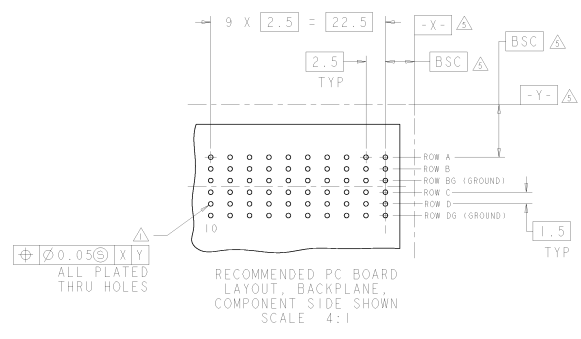


REVISIONS			
REV	DATE	DESCRIPTION	BY
D	00	RELEASED PER 6459076-04	QUINCY
01		REV PER ECO-01-010141	INGRAM



- △ REFERENCE APPLICATION SPEC 114-13059 FOR RECOMMENDED PLATED THRU HOLE DIAMETER AND PLATING THICKNESSES.
- △ MATERIAL:
CONTACT AND SHIELD - PHOSPHOR BRONZE
HOUSING - GLASS FILLED POLYESTER, UL 94V-0.
- △ FINISH: CONTACT AND SHIELD
MATING AREA - 0.7μm MIN GOLD OVER 1.27μm MIN NICKEL
COMPLIANT PIN AREA - 0.5μm MIN TIN OVER 1.27μm MIN NICKEL
- △ CONNECTOR MARKED WITH PART NUMBER AND DATE CODE.
- △ DATUMS AND BASIC DIMENSIONS ESTABLISHED BY CUSTOMER.
- △ THE TWO GROUNDS IN EACH COLUMN ARE COMMONED.
- 7. CONTACT AREA LUBRICATED WITH BELLCORE APPROVED LUBRICANT, TECHNICAL REFERENCE: GR-1217-CORE, ISSUE 1, NOVEMBER 1995.



⊕ ∅0.05 X Y
ALL PLATED THRU HOLES

RECOMMENDED PC BOARD LAYOUT, BACKPLANE, COMPONENT SIDE SHOWN SCALE 4:1

3-80	6459076-2
5-30	6459076-1
DIM M	PART NUMBER

Tyco Electronics		Tyco Electronics	
DATE	BY	DATE	BY
12/15/04	TJ	12/15/04	TJ
12/15/04	TJ	12/15/04	TJ
12/15/04	TJ	12/15/04	TJ
12/15/04	TJ	12/15/04	TJ
12/15/04	TJ	12/15/04	TJ
12/15/04	TJ	12/15/04	TJ