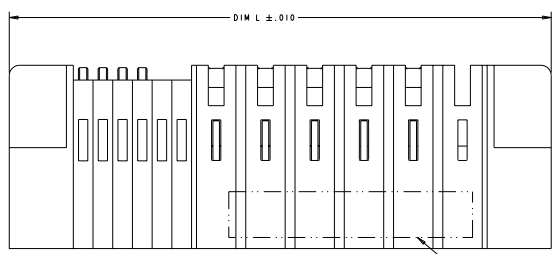
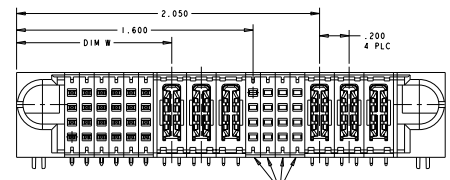
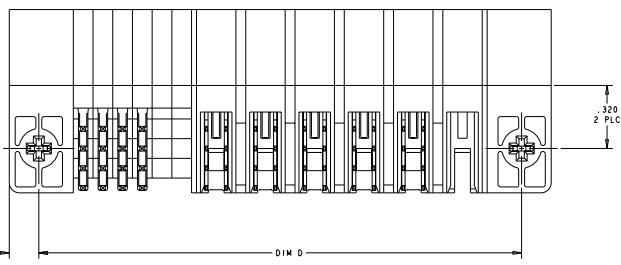
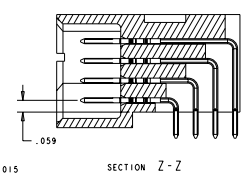
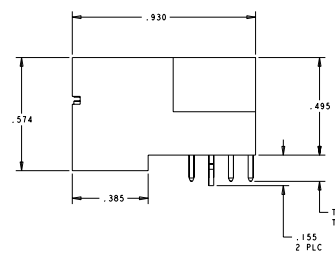
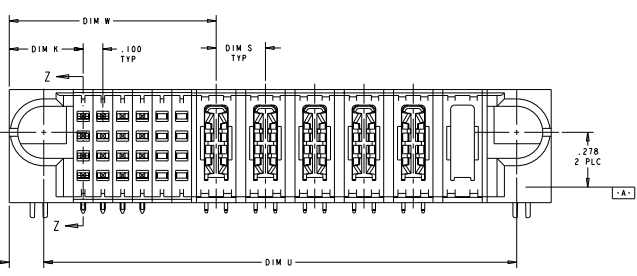


REV	DATE	DESCRIPTION	BY	CHKD	APPD
01		ADDED NEW DASH NUMBER -19	21000000	IL	ST
02		REV PER ECR-99-014229	21000000	HL	ST



- △ "AMP", PART NUMBER, AND DATE CODE TO BE MARKED IN AREA SHOWN.
- △ MATERIAL: HOUSING - GLASS FILLED HIGH TEMP THERMO PLASTIC, UL94 V-0
SIGNAL CONTACT - COPPER ALLOY
POWER CONTACT - HIGH CONDUCTIVITY COPPER ALLOY
- △ CONTACT PLATING: SIGNAL CONTACTS - .00050 MIN Ni UNDER ALL
.00050 MIN Au ON CONTACT AREA
.000100 MIN Sn AT PCB INTERFACE.
POWER CONTACTS - .00050 MIN Ni UNDER ALL
.00050 MIN Au ON CONTACT AREA
.000100 MIN Sn AT PCB INTERFACE.
- △ MECHANICAL CONNECTOR KEEP OUT ZONE.
- △ DATUM AND BASIC DIMENSIONS ESTABLISHED BY CUSTOMER.
- △ PCB - ALL HOLE DIAMETERS ARE FINISHED HOLE SIZES.
- △ PCB - .0453±.0010 DRILLED HOLES PLATED WITH .0005 MIN Sn OVER
.001 TO .003 CU PLATING TO ACHIEVE A .045±.003 DIA HOLE



PART NUMBER 1-6450131-3

DIMENSIONS IN INCHES UNLESS OTHERWISE SPECIFIED DECIMALS: .0005 FRACTIONS: 1/1000 TOLERANCES: .0005 SURFACE FINISH: .0005 MATERIAL:	APPROVED BY: [Signature] DATE: 108-1913 SPECIFICATION NO: 114-13038 CUSTOMER DRAWING	TITLE: RIGHT ANGLE HEADER ASSY W/GUIDES MULTI-BEAM XL DRAWING NO: 00778 PART NO: 1-6450131 SHEET: 1 OF 1	THE ELECTRONICS CORPORATION HARRISBURG, PA 17105-3608
---	---	---	--

DATE DRAWING IS SUPERSEDED BY THIS ELECTRONICS CORPORATION. ALL RIGHTS RESERVED.

REVISED		REVISIONS			
NO.	DATE	BY	DESCRIPTION	DATE	BY
GP	00		SEE SHEET 1		

DIM U	DIM S	DIM K	DIM D	DIM W	DIM L	DESCRIPTION	PART NUMBER
1.600	.250	.375	1.650	.750	1.950	12S * 4P	1-6450131-9
3.650	.250	.400	3.700	1.300	4.000	32S * 10P	1-6450131-8
2.950	.200	.375	3.000	1.050	3.300	24S * 10HDP	1-6450131-7
2.400	.250	.375	2.450	1.050	2.750	24S * 6P	1-6450131-6
2.450	.200	.375	2.500	.950	2.800	20S * 8P	1-6450131-5
2.400	.250	.375	2.450	1.050	2.750	24S * 6P	1-6450131-4
2.550	.200	.375	2.600	1.050	2.900	24S * 3P * 16S * 3P	1-6450131-3
1.400	.250	.375	1.450	.550	1.750	4S * 4P	1-6450131-2
2.500	.250	.425	2.550	.875	2.850	12S * 7P	1-6450131-1
2.400	.250	.375	2.450	1.050	2.750	24S * 6P	6450131-6
2.700	.300	.375	2.750	.775	3.050	12S * 7ACP	6450131-6
2.400	.250	.375	2.450	1.050	2.750	24S * 6P	6450131-5
4.400	.250	.375	4.450	1.050	4.750	24S * 14P	6450131-4
1.950	.250	.375	2.000	.850	2.300	16S * 5P	6450131-3

INCHES DECIMALS FRACTIONS MILLIMETERS		TYPICAL DIMENSIONS DIMENSIONS DIMENSIONS DIMENSIONS		TYPICAL DIMENSIONS DIMENSIONS DIMENSIONS DIMENSIONS		TYPICAL DIMENSIONS DIMENSIONS DIMENSIONS DIMENSIONS	
DIMENSIONS DIMENSIONS DIMENSIONS DIMENSIONS		DIMENSIONS DIMENSIONS DIMENSIONS DIMENSIONS		DIMENSIONS DIMENSIONS DIMENSIONS DIMENSIONS		DIMENSIONS DIMENSIONS DIMENSIONS DIMENSIONS	

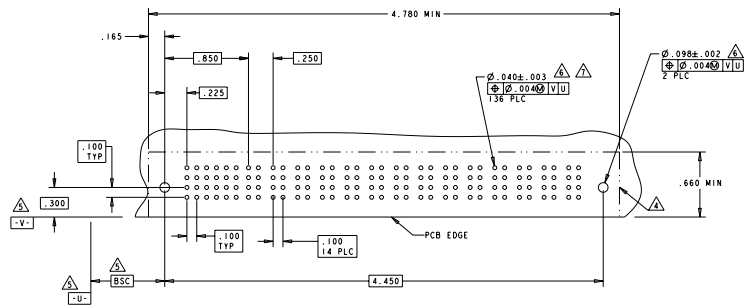
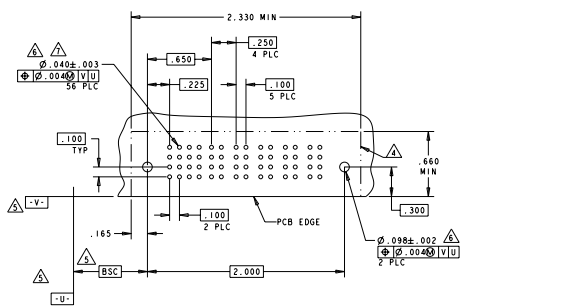
REV	DATE	DESCRIPTION	BY	CHK	APP
00		SEE SHEET 1			

PART NUMBER	ROWS	SIGNAL				POWER				
		1	2	3	4	P1	P2	P3	P4	P5
6450131-3	D	J	J	J	J	PM	PM	PM	PM	
	C	K	K	K	K	PM	PM	PM	PM	
	B	N	N	N	N	PM	PM	PM	PM	
	A	S	S	S	S	PM	PM	PM	PM	

16S + 5P

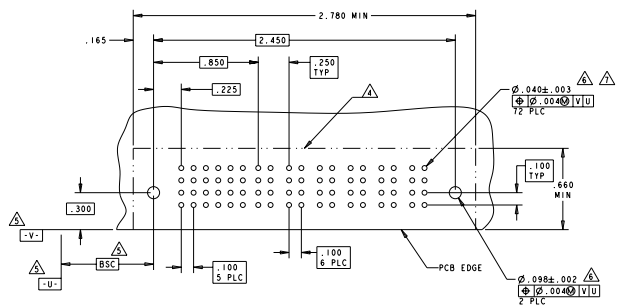
PART NUMBER	ROWS	SIGNAL						POWER														
		1	2	3	4	5	6	P1	P2	P3	P4	P5	P6	P7	P8	P9	P10	P11	P12	P13	P14	
6450131-4	D	J	J	J	J	J	J	PM	PM	PM	PM	PM	PM	PM	PM	PM	PM	PM	PM	PM	PM	PM
	C	K	K	K	K	K	K	PM	PM	PM	PM	PM	PM	PM	PM	PM	PM	PM	PM	PM	PM	PM
	B	N	N	N	N	N	N	PM	PM	PM	PM	PM	PM	PM	PM	PM	PM	PM	PM	PM	PM	PM
	A	S	S	S	S	S	S	PM	PM	PM	PM	PM	PM	PM	PM	PM	PM	PM	PM	PM	PM	PM

24S + 14P



PART NUMBER	ROWS	SIGNAL						POWER					
		1	2	3	4	5	6	P1	P2	P3	P4	P5	P6
6450131-5	D	J	J	J	J	J	J	PM	PM	PM	PM	PM	PM
	C	K	K	K	K	K	K	PM	PM	PM	PM	PM	PM
	B	N	N	N	N	N	N	PM	PM	PM	PM	PM	PM
	A	S	S	S	S	S	S	PM	PM	PM	PM	PM	PM

24S + 6P



PA	PM
.090	.135

CODE TAIL LENGTH
POWER CONTACT

CODE	MATING SEQUENCE	TAIL LENGTH	ROW
Z	STD	.090	D
Y	STD	.090	C
R	STD	.090	B
O	STD	.090	A
A4	MLBF	.090	D
A3	MLBF	.090	C
A2	MLBF	.090	B
A1	MLBF	.090	A
E	MLBF	.135	D
F	MLBF	.135	C
G	MLBF	.135	B
H	MLBF	.135	A
FJ	MFB	.135	D
J	STD	.135	D
K	STD	.135	C
N	STD	.135	B
S	STD	.135	A

SIGNAL CONTACT

DATE: 08/24/2018	BY: PCB ELECTRONICS CORPORATION	REV: 00	DESCRIPTION: RIGHT ANGLE HEADER ASSY WIGUIDES MULTI-BEAM XL
INCHES	0.001 INCHES	100-1313	114-1303B
DATE: 08/24/2018	BY: PCB ELECTRONICS CORPORATION	REV: 00	DESCRIPTION: RIGHT ANGLE HEADER ASSY WIGUIDES MULTI-BEAM XL
DATE: 08/24/2018	BY: PCB ELECTRONICS CORPORATION	REV: 00	DESCRIPTION: RIGHT ANGLE HEADER ASSY WIGUIDES MULTI-BEAM XL

DATE: 08/24/2018 BY: PCB ELECTRONICS CORPORATION ALL RIGHTS RESERVED

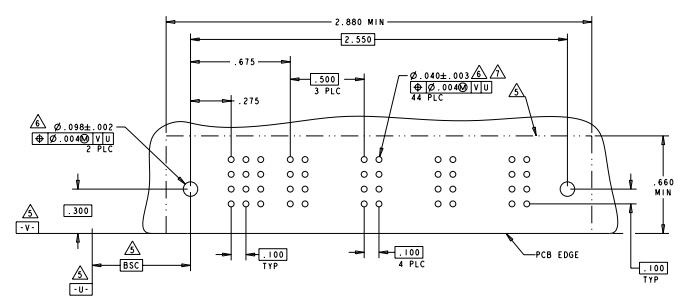
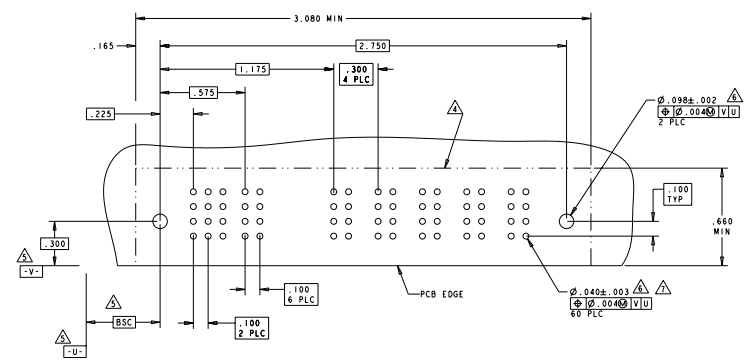
REV	DATE	DESCRIPTION	BY	CHK
00		SEE SHEET 1		

PART NUMBER	ROWS	SIGNAL			POWER							
		1	2	3	P1	P2	P3	P4	P5	P6	P7	
6450131-6	D	Z	Z	Z	PA	PA	PA	PA	PA	PA	PA	PA
	C	Y	Y	Y								
	B	R	R	R								
	A	A	I	O								

12S + 7ACP
 NO POWER CONTACT LOADED IN THIS CAVITY

PART NUMBER	ROWS	SIGNAL			POWER							
		1	2	3	P1	P2	P3	P4	P5	P6	P7	
1-6450131-1	D	J	J	J	PM	PM	PM	PM	PM	PM	PM	PM
	C	K	K	K								
	B	N	N	N								
	A	S	S	S								

12S + 7P
 NO CONTACTS LOADED

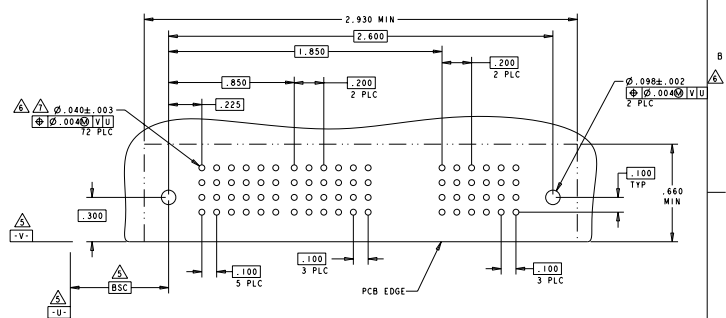
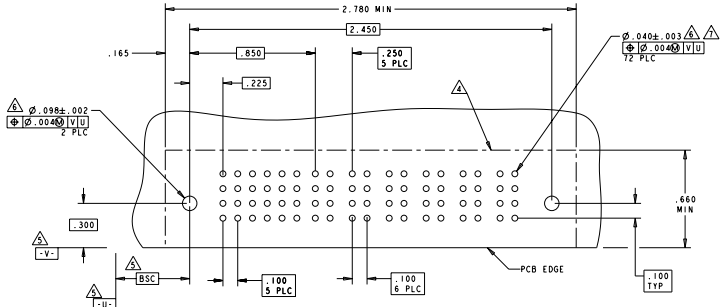


PART NUMBER	ROWS	SIGNAL					POWER					
		1	2	3	4	5	P1	P2	P3	P4	P5	P6
6450131-7	D	C	E	J	J	E	PM	PM	PM	PM	PM	PM
	C	F	F	K	K	K						
	B	G	G	N	N	N						
	A	H	H	S	S	S						

24S + 6P

PART NUMBER	ROWS	SIGNAL						POWER			SIGNAL				POWER		
		1	2	3	4	5	6	P1	P2	P3	7	8	9	10	P4	P5	P6
1-6450131-3	D	J	J	J	J	J	J	PM	PM	PM					PM	PM	PM
	C	K	K	K	K	K	K										
	B	N	N	N	N	N	N										
	A	H	S	S	S	S	S										

24S + 3P + 16S + 3P
 NO CONTACTS LOADED

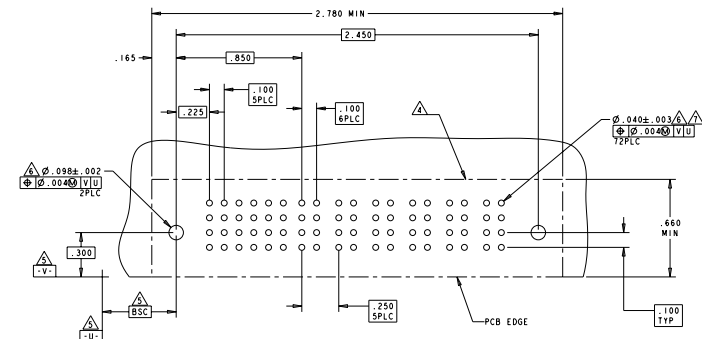
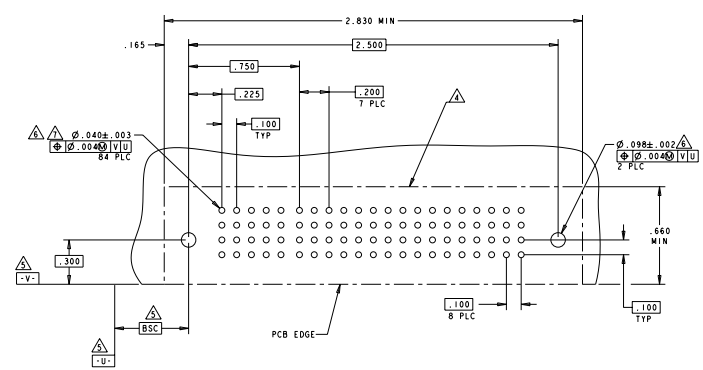
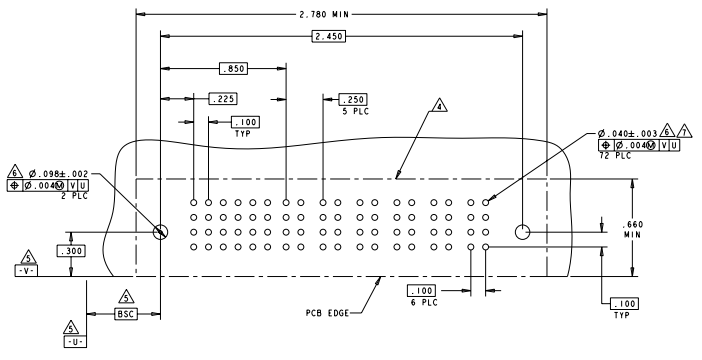


DIMENSIONS: INCHES DECIMALS: .001 FRACTIONS: 1/16, 1/8, 1/4, 1/2, 3/4, 1, 1 1/4, 1 1/2, 1 3/4, 2, 2 1/4, 2 1/2, 3, 3 1/4, 3 1/2, 4, 4 1/4, 4 1/2, 5, 5 1/4, 5 1/2, 6, 6 1/4, 6 1/2, 7, 7 1/4, 7 1/2, 8, 8 1/4, 8 1/2, 9, 9 1/4, 9 1/2, 10, 11, 12	TYPICAL DIMENSIONS: 150000 PERIPHERAL: 100-1000 SPECIFICATION: 114-13038 REVISION: A	Title Electronics Corporation Harrisburg, PA 17105-3600 RIGHT ANGLE HEADER ASSY W/GUIDES MULTI-BEAM XL STATE CASE CODE (SEE PAGE 40) 00778 ©-6450131 CUSTOMER DRAWING
---	---	---

REV	DATE	DESCRIPTION	BY	CHK
00		SEE SHEET 1		

PART NUMBER	ROWS	SIGNAL					POWER					
		1	2	3	4	5	P1	P2	P3	P4	P5	P6
1-6450131-4	D	J	J	J	J	J	PM	PM	PM	PM	PM	PM
	C	K	K	K	K	K						
	B	N	N	N	N	N						
A	S	S	S	S	S	S						

PART NUMBER	ROWS	SIGNAL					POWER							
		1	2	3	4	5	P1	P2	P3	P4	P5	P6	P7	P8
1-6450131-5	D	J	J	J	J	J	PM	PM	PM	PM	PM	PM	PM	PM
	C	K	K	K	K	K								
	B	N	N	N	N	N								
A	S	S	S	S	S	S								



PART NUMBER	ROWS	SIGNAL					POWER					
		1	2	3	4	5	P1	P2	P3	P4	P5	P6
1-6450131-6	D	J	J	J	J	J	PM	PM	PM	PM	PM	PM
	C	K	K	K	K	K						
	B	N	N	N	N	N						
A	S	S	S	S	S	S						

DIMENSIONS: INCHES TOLERANCES: DECIMALS: .001 FRACTIONS: 1/16 FINISH: ENGRAVED MATERIAL: FR-4	PCB ELECTRONICS CORPORATION 100-1913 116-13038 00778 ©-6450131	PCB ELECTRONICS CORPORATION HARRISBURG, PA 17105-3600 RIGHT ANGLE HEADER ASSY WIGUIDES MULTI-BEAM XL SIZE: 116-13038 PART: 00778 ©-6450131 CUSTOMER DRAWING:	DATE: 08/24/2018 DRAWN BY: A CHECKED BY: S DESIGNED BY: M APPROVED BY: M
--	---	--	--

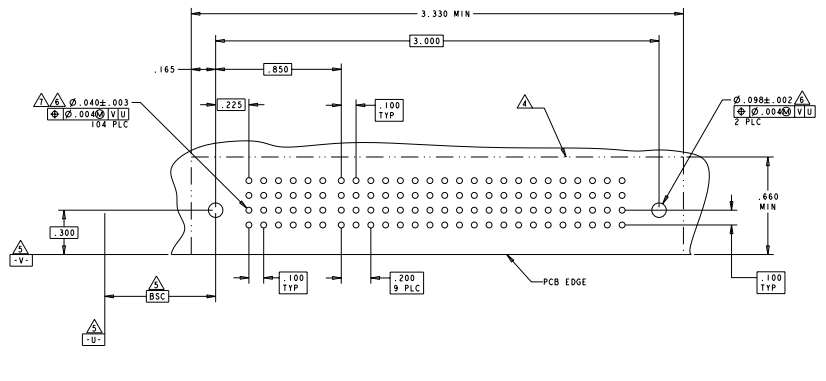
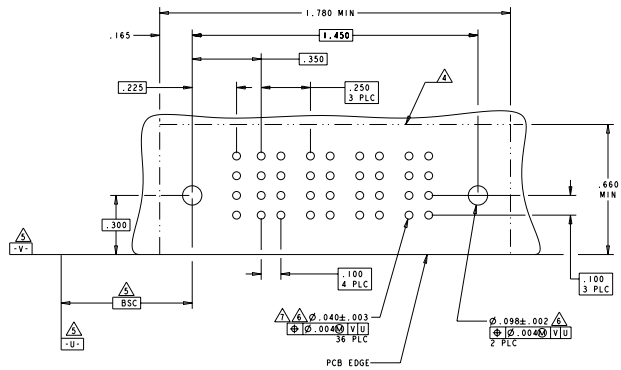
REV. NO.		REVISIONS	
NO.	DATE	DESCRIPTION	BY
00		SEE SHEET 1	

PART NUMBER	ROWS	SIGNAL				POWER				
		I	P1	P2	P3	P4				
1-6450131-2	D	J								
	C	K	PM	PM	PM	PM				
	B	N								
	A	H								

4S + 4P

PART NUMBER	ROWS	SIGNAL					POWER										
		1	2	3	4	5	P1	P2	P3	P4	P5	P6	P7	P8	P9	P10	
1-6450131-7	D	J	J	J	J	J											
	C	K	K	K	F	K	PM	PM	PM	PM	PM	PM	PM	PM	PM	PM	
	B	N	N	N	N	N											
	A	S	S	S	S	S											

24S + 10HDP

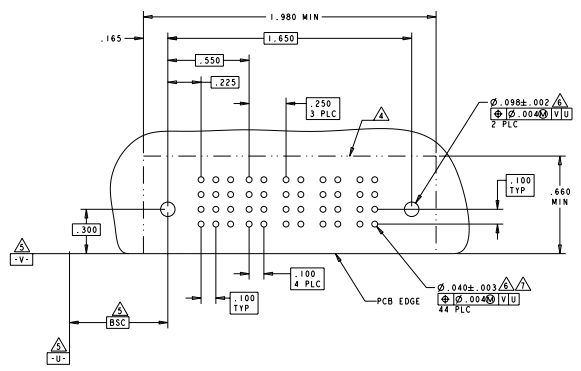
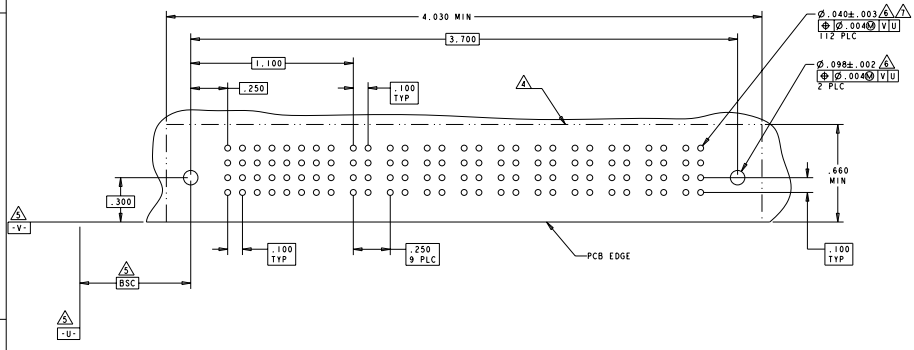


DATE: 08/20/2018	BY: PCB ELECTRONICS CORPORATION	ALL RIGHTS RESERVED	DATE: 08/20/2018	BY: PCB ELECTRONICS CORPORATION	ALL RIGHTS RESERVED
INCHES	0.001 INCHES	0.001 INCHES	0.001 INCHES	0.001 INCHES	0.001 INCHES
1-6450131-2	1-6450131-7	1-6450131-2	1-6450131-7	1-6450131-2	1-6450131-7
RIGHT ANGLE HEADER ASSY W/GUIDES	RIGHT ANGLE HEADER ASSY W/GUIDES	RIGHT ANGLE HEADER ASSY W/GUIDES	RIGHT ANGLE HEADER ASSY W/GUIDES	RIGHT ANGLE HEADER ASSY W/GUIDES	RIGHT ANGLE HEADER ASSY W/GUIDES
1-6450131	1-6450131	1-6450131	1-6450131	1-6450131	1-6450131
00778	00778	00778	00778	00778	00778
00778	00778	00778	00778	00778	00778

REV	DATE	REVISIONS	BY	CHK	APP
00		GP			
		SEE SHEET 1			

PART NUMBER	ROWS	SIGNAL								POWER									
		1	2	3	4	5	6	7	8	P1	P2	P3	P4	P5	P6	P7	P8	P9	P10
1-6450131-8	D	J	J	J	J	J	J	J	J	PM	PM	PM	PM	PM	PM	PM	PM	PM	PM
	C	K	K	K	F	F	K	K	K										
	B	N	N	N	G	G	N	N	N										
32S + 10P	A	S	S	S	S	S	S	S	S										

PART NUMBER	ROWS	SIGNAL			POWER			
		1	2	3	P1	P2	P3	P4
1-6450131-9	D	J	F	J	F	J		
	C	K	K	K		PM	PM	PM
	B	N	N	N				
12S + 4P	A	H	H	S				



INCHES DECIMALS FRACTIONS ANGLES		CUSTOMER DRAWING DATE: 08/24/2018 TIME: 10:00 AM DRAWN BY: PDC		APPROVED BY: PDC DATE: 08/24/2018 TIME: 10:00 AM		PART NUMBER: 1-6450131-8 DESCRIPTION: RIGHT ANGLE HEADER ASSY W/ GUIDES MULTI-BEAM XL QUANTITY: 1000 UNIT: 1000		DRAWING NO: 116-13038 REV: A DATE: 08/24/2018 TIME: 10:00 AM		CUSTOMER: SEE SHEET 1 DRAWING NO: 116-13038 REV: A DATE: 08/24/2018 TIME: 10:00 AM		TITLE: RIGHT ANGLE HEADER ASSY W/ GUIDES MULTI-BEAM XL SHEET: 1 OF 1 DATE: 08/24/2018 TIME: 10:00 AM	
---	--	---	--	--	--	--	--	---	--	--	--	---	--