

4

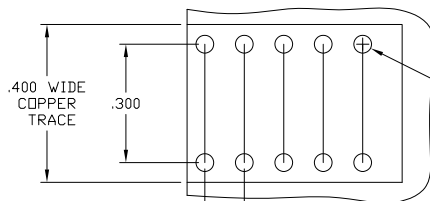
3

2

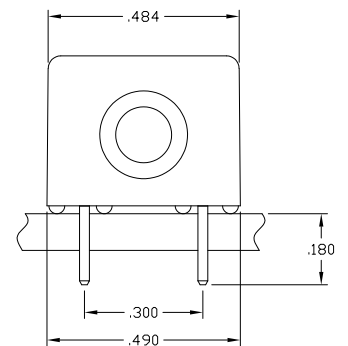
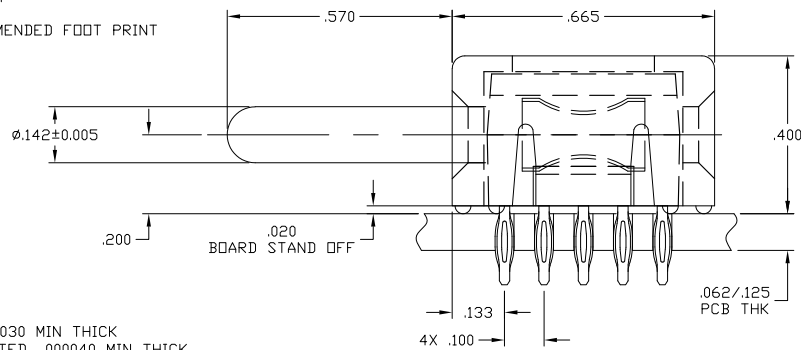
1

THIS DRAWING IS UNPUBLISHED. RELEASED FOR PUBLICATION  
 © COPYRIGHT - BY TYCO ELECTRONICS CORPORATION. ALL INTERNATIONAL RIGHTS RESERVED.

LOC	DIST	REVISIONS				
P	LTR	DESCRIPTION	DATE	DWN	APVD	
GP	00					
B		REV PER ECO-10-020184	12JAN2011	RG	NE	



4X .100  
 RECOMMENDED FOOT PRINT



## 4. FINISHES:

- CROWN: GOLD PLATED, .000030 MIN THICK  
 OVER NICKEL PLATED, .000040 MIN THICK.  
 INSERT: SILVER PLATED, .000200 MIN THICK,  
 OVER NICKEL PLATED, .000040 MIN THICK.  
 COMPLIANT TAIL: SILVER PLATED, .000200 MIN THICK,  
 OVER NICKEL PLATED, .000040 MIN THICK.  
 CONTACT: SILVER PLATED, .000200 MIN THICK,  
 OVER ELECTROLESS NICKEL PLATED, .000040 MIN THICK.

## 3. MATERIALS:

- HOUSING: THERMOPLASTIC, GLASS REINFORCED, COLOR-BLACK  
 UL94V-0 FLAMMABILITY RATED  
 CROWN: COPPER ALLOY  
 INSERT: ZINC ALLOY, CASTING  
 CONTACT: BRASS ALLOY  
 COMPLIANT TAIL: PHOSPHOR BRONZE ALLOY

## 2. ITEMS PROVIDED TO THIS SPECIFICATION SHALL BE IDENTIFIED ON THE CONTAINER WITH THE FOLLOWING INFORMATION: PART NUMBER &amp; DATE CODE OF MANUFACTURE.

## 1. PART NUMBER CHANGES AND OR DESIGN CHANGES AFFECTING ITEM INTERCHANGEABILITY REQUIRE PRIOR TYCO APPROVAL AND AUTHORIZATION BY REVISION TO THIS DRAWING.

## 5. FOR APPLICATIONS UTILIZING AN IMMERSION SILVER PLATED PCB. CONSULT TYCO ENGINEERING.

6643442-1

PART NUMBER

DIMENSIONS:		TOLERANCES UNLESS OTHERWISE SPECIFIED:		DWN		12JAN2011		Tyco Electronics		Tyco Electronics Corporation	
INCHES				CHK		ORRIS		Harrisburg, PA 17105-3608			
		0 PLC ± -		APVD		12JAN2011		NAME		ICCON, PIN, SIZE No.8, PARALLEL	
		1 PLC ± -		PRODUCT SPEC		FLICKNGER/ORRIS		SIZE		COMPLIANT TAIL, 10 PIN FOOT PRINT	
		2 PLC ± .02		APPLICATION SPEC				CAGE CODE		DRAWING NO	
		3 PLC ± .010						A3		00779	
		4 PLC ± -						C		6643442	
		ANGLES ± .5						RESTRICTED TO			
MATERIAL		FINISH		WEIGHT		-		CUSTOMER DRAWING		SCALE 4:1	
				SHEET		1 OF 1		REV		B	