

4

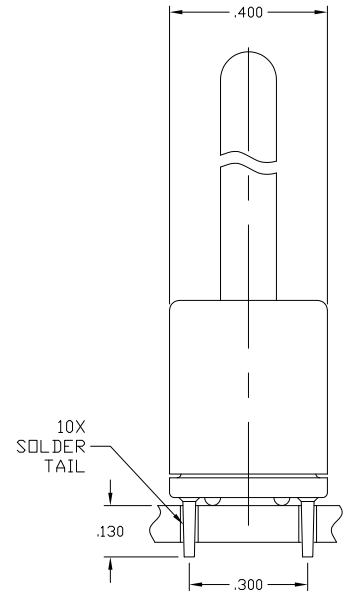
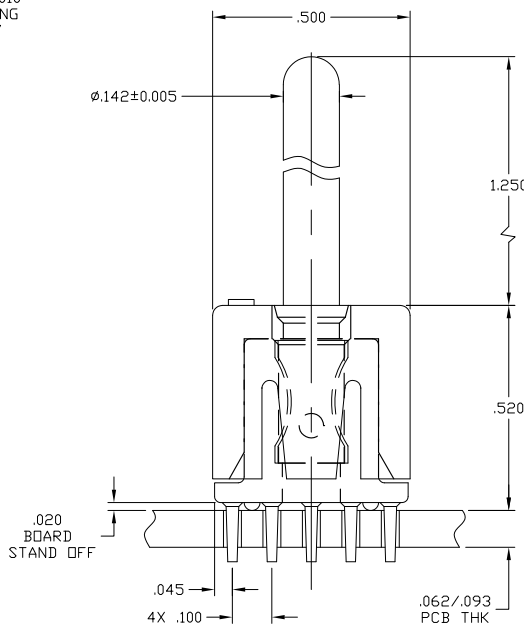
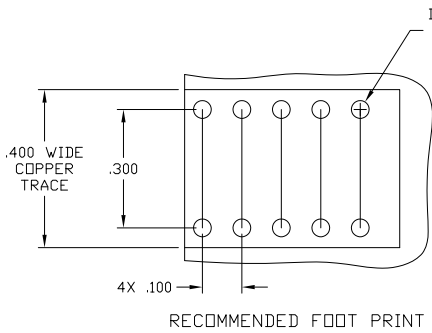
3

2

1

THIS DRAWING IS UNPUBLISHED. RELEASED FOR PUBLICATION
 © COPYRIGHT - BY TYCO ELECTRONICS CORPORATION. ALL INTERNATIONAL RIGHTS RESERVED.

LOC	DIST	REVISIONS					
GP	00	P	LTR	DESCRIPTION	DATE	DWN	APVD
		B		REV PER ECO-10-020184	12JAN2011	RG	NE



- 5. A FIVE POUND (5lb) FORCE IS REQUIRED TO CORRECTLY SEAT THE CONNECTOR WITH PLATED THRU HOLES LESS THAN 0.040 INCH.
- 4. FINISHES:
 CROWN: GOLD PLATED, .000030 MIN THICK
 OVER NICKEL PLATED, .000040 MIN THICK.
 INSERT: SILVER PLATED, .000200 MIN THICK,
 OVER NICKEL PLATED, .000040 MIN THICK.
 CONTACT: SILVER PLATED, .000200 MIN THICK,
 OVER ELECTROLESS NICKEL PLATED, .000040 MIN THICK.

- 3. MATERIALS:
 HOUSING: THERMOPLASTIC, GLASS REINFORCED, COLOR-BLACK
 UL94V-0 FLAMMABILITY RATED
 INSERT: ZINC ALLOY, CASTING
 CROWN: COPPER ALLOY
 CONTACT: BRASS ALLOY

- 2. ITEMS PROVIDED TO THIS SPECIFICATION SHALL BE IDENTIFIED ON THE CONTAINER WITH THE FOLLOWING INFORMATION:
 PART NUMBER & DATE CODE OF MANUFACTURE.

- 1. PART NUMBER CHANGES AND OR DESIGN CHANGES AFFECTING ITEM INTERCHANGEABILITY REQUIRE PRIOR TYCO APPROVAL AND AUTHORIZATION BY REVISION TO THIS DRAWING.

6643439-1
 PART NUMBER

THIS DRAWING IS A CONTROLLED DOCUMENT.		DWN	12JAN2011	 Tyco Electronics Corporation Harrisburg, PA 17105-3608
		CHK	HA/GRZYBOWSKI	
DIMENSIONS:		ORRIS	12JAN2011	NAME FLICKINGER/ORRIS PRODUCT SPEC ICCON, PIN, SIZE No.8, PERPENDICULAR SOLDER TAIL, 10 PIN FOOT PRINT NON LOCKING STYLE, 1.250 PIN EXT
INCHES		APVD	FLICKINGER/ORRIS	
TOLERANCES UNLESS OTHERWISE SPECIFIED:		APPLICATION SPEC		SIZE A3 CAGE CODE 00779 DRAWING NO 6643439
0 PLC ± -		WEIGHT		
1 PLC ± -		CUSTOMER DRAWING		RESTRICTED TO - SCALE 4:1 SHEET 1 OF 1 REV B
2 PLC ± .02				
3 PLC ± .010				
4 PLC ± -				
ANGLES ± .5				
MATERIAL	FINISH			