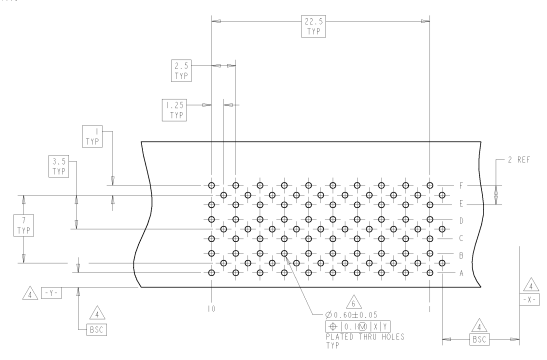
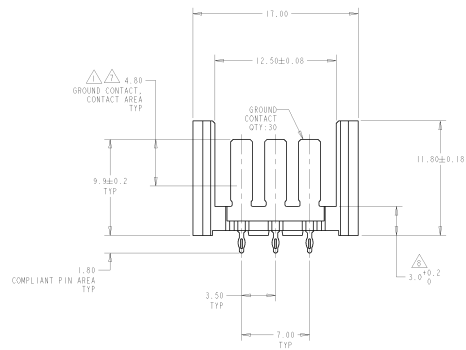
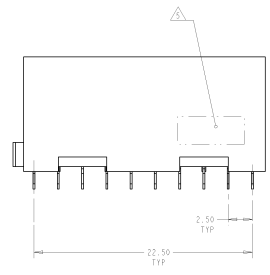
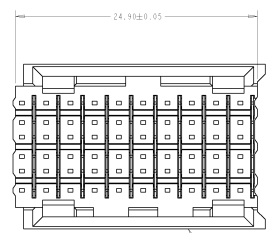


8	7	6	5	4	3	2	1
REV. 001	REV. 002	REV. 003	REV. 004	REV. 005	REV. 006	REV. 007	REV. 008

REV.	DATE	DESCRIPTION	BY	CHKD.	APPD.
A	0818-0216-01	REVISED PER 001B-0216-01	JUNWHL	DAS	B.JH
B	0818-0078-01	REVISED PER 001B-0078-01	JUNWHL	DAS	BAP
-	-	-	-	-	-
-	-	-	-	-	-

- △ GOLD FLASH OVER 0.15µm MIN. PALLADIUM NICKEL OVER 1.27µm MIN. NICKEL ON CONTACT AREA  
0.5µm MIN. TIN LEAD OVER 1.27µm MIN. NICKEL ON COMPLIANT PIN AREA.
- △ PHOSPHOR BRONZE
- △ GLASS FILLED POLYESTER
- △ DATUMS AND BASIC DIMENSIONS ESTABLISHED BY CUSTOMER
- △ CONNECTOR MARKED WITH PART NUMBER AND DATE CODE
- △ DRILLED HOLE DIAMETER 0.740±0.025  
FINISHED HOLE DIA 0.480±0.05 REF  
COPPER THICKNESS 0.025±0.050  
TIN LEAD THICKNESS 0.004±0.010
- △ CONTACT AREA LUBRICATED WITH BELLEFLORE APPROVED LUBRICANT  
TECHNICAL REFERENCE: 6R-121Y-CORE, ISSUE 1, NOVEMBER 1995
- △ APPLICATION SEATING HEIGHT TO PRINTED CIRCUIT BOARD



RECOMMENDED  
PRINTED CIRCUIT BOARD  
LAYOUT  
COMPONENT SIDE OF PRINTED CIRCUIT BOARD

120682-1  
PART NUMBER

<b>STYMAR</b> Thin Electronics Harrisburg, PA 17105-8800		<b>Alcovore</b> Thin Electronics Harrisburg, PA 17105-8800	
PART NUMBER: 120682-1 REV: 001 DATE: 0818-0216-01	MANUFACTURED BY: STYMAR PART NUMBER: 120682-1 REV: 001 DATE: 0818-0216-01	MANUFACTURED BY: ALCOVORE PART NUMBER: 120682-1 REV: 001 DATE: 0818-0216-01	MANUFACTURED BY: ALCOVORE PART NUMBER: 120682-1 REV: 001 DATE: 0818-0216-01
SHROUD ASSEMBLY, 60 POSITION, 6 ROW, BACKPLANE CONNECTOR, 2-PACK RES		PART NUMBER: 120682-1 REV: 001 DATE: 0818-0216-01	