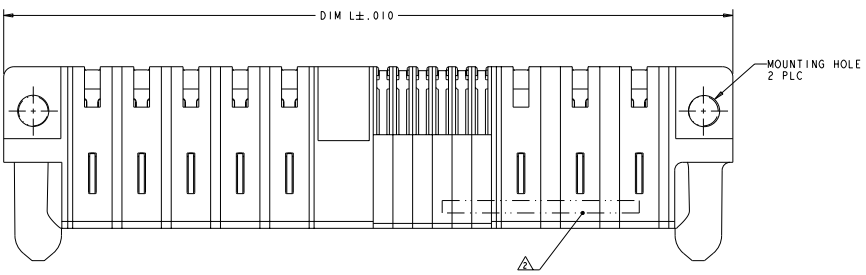
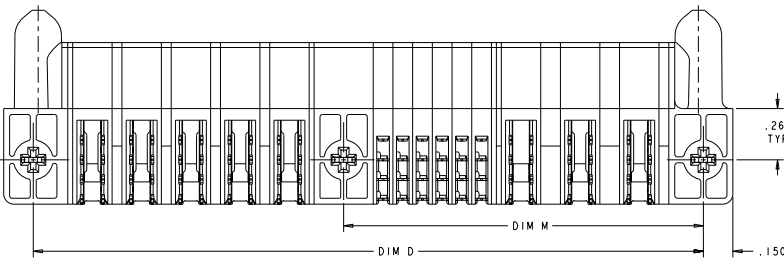
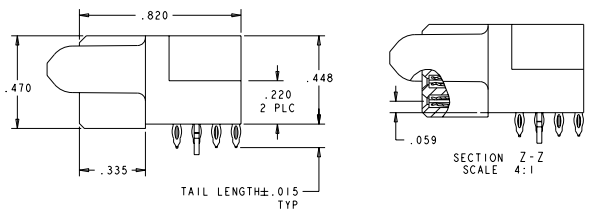
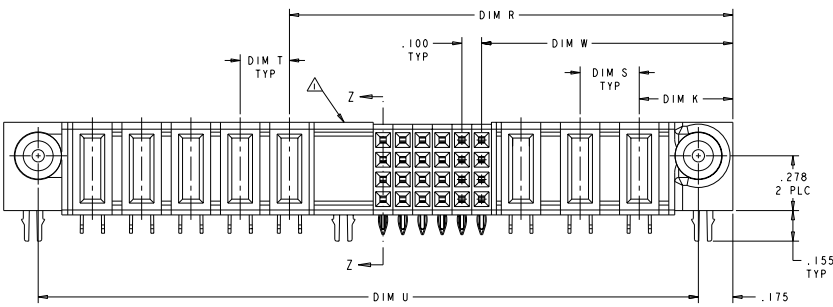


REV	DATE	DESCRIPTION	BY	CHK
ES 00				
D1		ADDED NEW DASH NUMBER -15		



- △ OPTIONAL CENTER MODULE, WITH $\phi .150$ THRU HOLE OR HOLD DOWN FEATURE.
- △ "AMP", PART NUMBER, AND DATE CODE TO BE MARKED IN AREA SHOWN.
- △ MATERIAL: HOUSING - GLASS FILLED HIGH TEMP THERMO PLASTIC, UL94 V-0.
SIGNAL CONTACT - HIGH CONDUCTIVITY COPPER ALLOY
POWER CONTACT - HIGH CONDUCTIVITY COPPER ALLOY
- △ CONTACT PLATING: NICKEL UNDERPLATED ALL OVER, $.00030$ GOLD AT MATING SURFACE AND S_n AT CONTACT TAILS.
RETENTION CLIP: $.000050$ MIN. NI UNDER ALL, $.000030$ MIN. MATTE S_n OVER ALL.
- △ MECHANICAL CONNECTOR KEEP OUT ZONE.
- △ DATUM AND BASIC DIMENSIONS ESTABLISHED BY CUSTOMER.
- △ PCB - ALL HOLE DIAMETERS ARE FINISHED HOLE SIZES.
- △ PCB - $\phi .0453 \pm .0010$ DRILLED HOLES PLATED WITH $.0003$ MIN S_n OVER $.001 - .003$ PLATING TO ACHIEVE $.040$ DIA HOLE.
- △ 1450570-1 HOLD DOWN SEATING DEPTH = $.185$



61	DIM U	DIM T	DIM S	DIM R	DIM W	DIM D	DIM M	DIM L	DIM K	DESCRIPTION	PART NUMBER	
	.150	1.400	.250	.250	1.300	.625	1.450	-	1.750	450	1P x 24S x 1P	1-6450570-5
	N/A	1.700	.250	.250	1.350	.875	1.750	-	2.050	450	2P x 16S x 2P	1-6450570-4
	N/A	1.300	-	-	1.200	.675	1.350	-	1.650	450	1P x 16S x 1P	1-6450570-3
	N/A	3.000	.250	.250	2.150	1.425	3.050	-	3.350	450	4P x 24S x 4P	1-6450570-2
	N/A	2.400	.250	.250	1.600	1.125	2.450	-	2.750	450	3P x 24S x 3P	1-6450570-0
	.150	1.300	-	-	1.200	.675	1.350	-	1.650	450	1P x 16S x 1P	6450570-9
	N/A	4.350	.250	.250	3.500	2.625	4.400	-	4.700	450	9P x 32S x 4P	6450570-6
	.122	5.450	.250	.250	3.350	2.375	5.500	-	5.800	450	8P x 36S x 9P	6450570-3
	N/A	2.400	.250	.250	1.600	1.125	2.450	-	2.750	450	3P x 24S x 3P	6450570-2
	N/A	4.350	.250	.250	3.500	2.625	4.400	-	4.700	450	9P x 32S x 4P	6450570-1

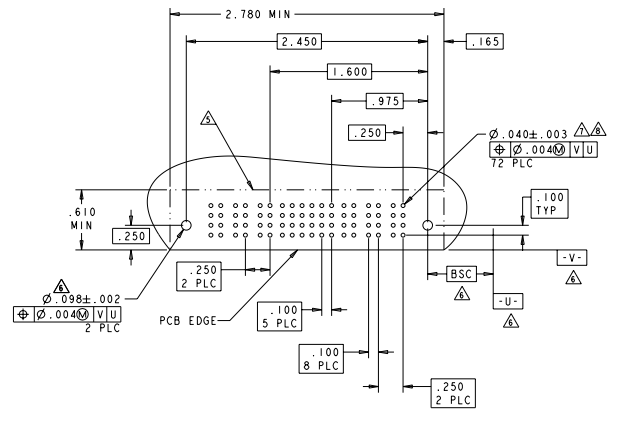
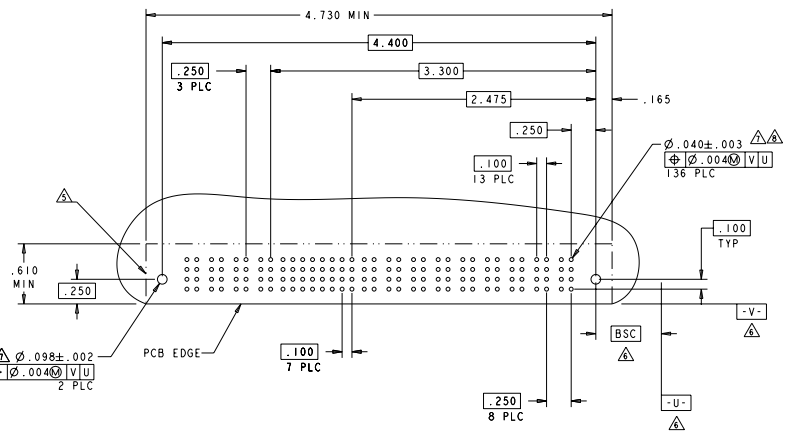
SYMBOLS:	UNITS:	SCALE:	DATE:	CUSTOMER:
INCHES	1/16"	1:1	10/15/88	THERMO ELECTRONICS CORPORATION
DESIGNER:	DRAWN BY:	CHECKED BY:	APPROVED BY:	
J. REICHERT	J. REICHERT	J. REICHERT	J. REICHERT	
108-1813	108-1813	108-1813	108-1813	
116-13038	116-13038	116-13038	116-13038	

RIGHT ANGLE RECEPTACLE ASSEMBLY WITH GUIDES MULTI-BEAM XL
 007796450570
 PAGE 2-1

REV	DATE	DESCRIPTION	BY	CHK
ES	00	SEE SHEET 1		

PART NUMBER	ROWS	POWER			SIGNAL									POWER												
		P13	P12	P11	P10	8	7	6	5	4	3	2	1	P9	P8	P7	P6	P5	P4	P3	P2	P1				
6450570-1	D C B A	RL	RL	RK	RL	DD	DD	DD	DD	DD	DD	DD	DD	DD	DD	DD	DD	DD	DD	DD	DD	DD	DD	DD	DD	
9P + 32S + 4P						CC	CC	CC	CC	CC	CC	CC	CC	CC	CC	CC	CC	CC	CC	CC	CC	CC	CC	CC	CC	
						BB	BB	BB	BB	BB	BB	BB	BB	BB	BB	BB	BB	BB	BB	BB	BB	BB	BB	BB	BB	BB
						AA	AA	AA	AA	AA	AA	AA	AA	AA	AA	AA	AA	AA	AA	AA	AA	AA	AA	AA	AA	AA

PART NUMBER	ROWS	POWER		SIGNAL									POWER														
		P6	P5	P4	6	5	4	3	2	1	P3	P2	P1														
6450570-2	D C B A	RP	RS	DD	DD	DD	DD	DD	DD	DD	DD	DD	DD	DD	DD	DD	DD	DD	DD	DD	DD	DD	DD	DD	DD	DD	
3P + 24S + 3P				CC	CC	CC	CC	CC	CC	CC	CC	CC	CC	CC	CC	CC	CC	CC	CC	CC	CC	CC	CC	CC	CC	CC	CC
				BB	BB	BB	BB	BB	BB	BB	BB	BB	BB	BB	BB	BB	BB	BB	BB	BB	BB	BB	BB	BB	BB	BB	BB
				AA	AA	AA	AA	AA	AA	AA	AA	AA	AA	AA	AA	AA	AA	AA	AA	AA	AA	AA	AA	AA	AA	AA	AA



CODE	TAIL LENGTH	TYPE	CODE	TAIL LENGTH	ROW
DD	.165	-PRESS FIT	D		
CC	.165	-PRESS FIT	C		
BB	.165	-PRESS FIT	B		
AA	.165	-PRESS FIT	A		
RL	.165	PRESS FIT	STD	D	.119-PRESS FIT D
RK	.165	PRESS FIT	MFBL	C	.119-PRESS FIT C
RS	.119	PRESS FIT	STD	B	.119-PRESS FIT B
RP	.119	PRESS FIT	MFBL	A	.119-PRESS FIT A

POWER CONTACT	TAIL LENGTH	DESCRIPTION
RK	.165	-PRESS FIT MFBL
RL	.165	-PRESS FIT STD
RP	.119	-PRESS FIT MFBL
RS	.119	-PRESS FIT STD
CODE	TAIL LENGTH	DESCRIPTION

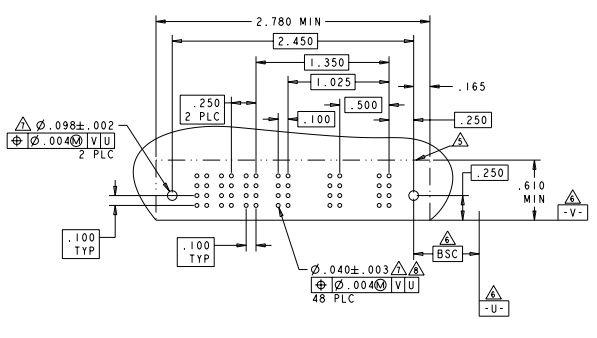
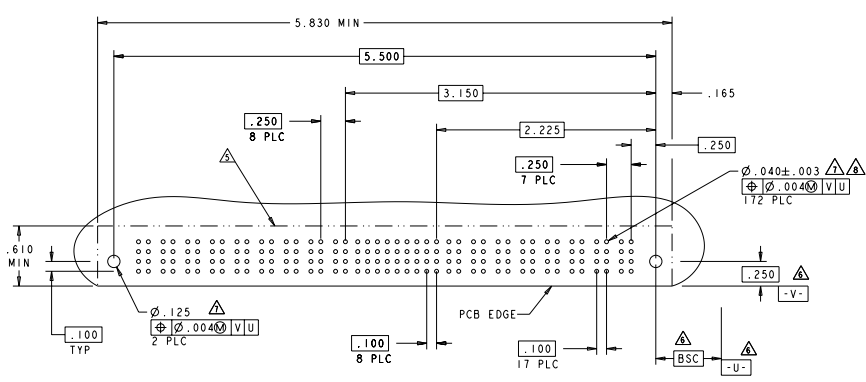
DATE DESIGNED: 04/27/05 BY: W. FLECHNER
 DATE CHECKED: 06/08/05 BY: W. FLECHNER
 DATE DRAWN: 06/08/05 BY: W. FLECHNER
 TITLE: RIGHT ANGLE RECEPTACLE ASSEMBLY WITH GUIDES MULTI-BEAM RL
 PART NUMBER: 6450570
 CUSTOMER DRAWING: A 00779 ©-6450570

DATE DESIGNED: 04/27/05 BY: W. FLECHNER
 DATE CHECKED: 06/08/05 BY: W. FLECHNER
 DATE DRAWN: 06/08/05 BY: W. FLECHNER

REV	DATE	DESCRIPTION	BY	CHK	APP
ES	00	SEE SHEET 1			

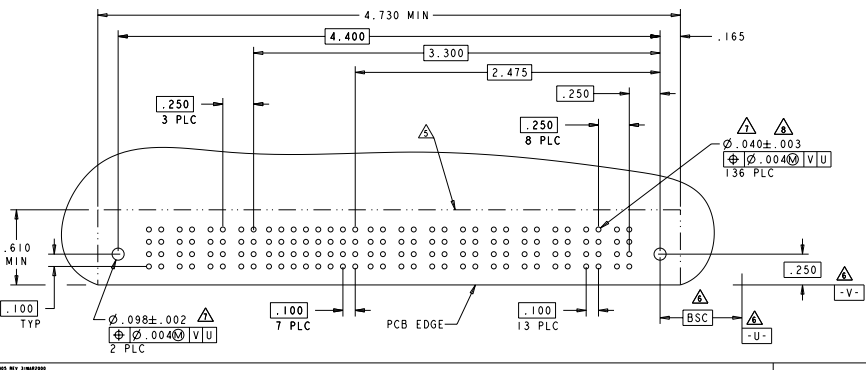
PART NUMBER	ROWS	POWER								SIGNAL								POWER							
		P17	P16	P15	P14	P13	P12	P11	P10	P9	8	7	6	5	4	3	2	1	P8	P7	P6	P5	P4	P3	P2
6450570-3	D C B A	RL	RL	RL	RL	RL	RL	RL	RL	RL	RL	RL	RL	RL	RL	RL	RL	RL	RL	RL	RL	RL	RL	RL	RL
8P + 36S + 8P																									

PART NUMBER	ROWS	POWER				SIGNAL				POWER			
		P6	P5	P4	P3	P2	P1	P8	P7	P6	P5	P4	P3
1-6450570-0	D C B A	RL	RL	RL	RL	RL	RL	RL	RL	RL	RL	RL	RL
3P + 24S + 3P													



PART NUMBER	ROWS	POWER								SIGNAL								POWER							
		P13	P12	P11	P10	8	7	6	5	4	3	2	1	P9	P8	P7	P6	P5	P4	P3	P2	P1			
6450570-6	D C B A	RL	RL	RL	RL	RL	RL	RL	RL	RL	RL	RL	RL	RL	RL	RL	RL	RL	RL	RL	RL	RL			
8P + 32S + 4P																									

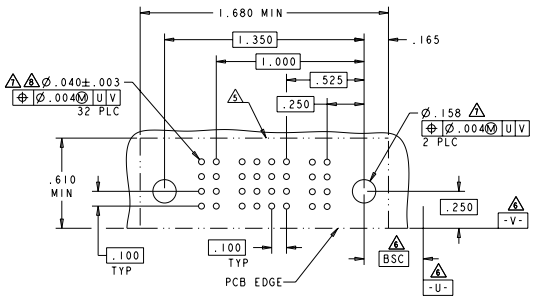
NO CONTACT LOADED



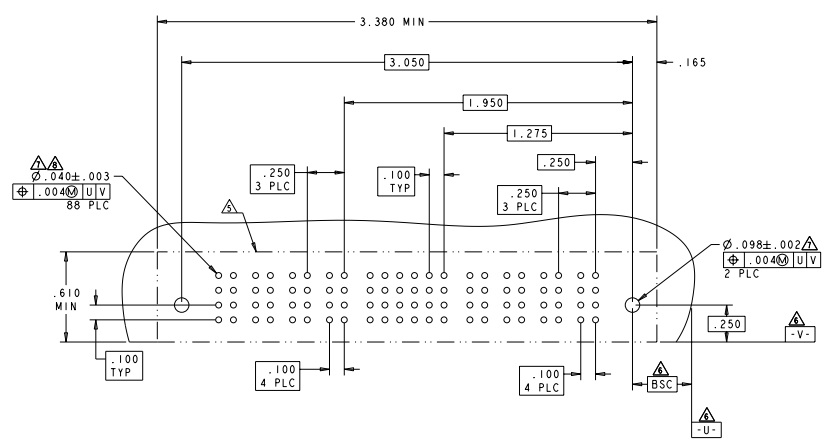
<p>INCHES</p> <p>DATE</p> <p>REV</p> <p>BY</p> <p>CHK</p> <p>APP</p>	<p>08/20/2018</p> <p>001</p> <p>W. FLECHNER</p> <p>188-1813</p> <p>114-13038</p> <p>114-13038</p> <p>114-13038</p>	<p>SWAY2005</p> <p>SWAY2005</p> <p>RIGHT ANGLE RECEPTACLE ASSEMBLY WITH GUIDES MULTI-BEAM RL</p> <p>STATE CASE CODE (SEE SHEET 10)</p> <p>00779</p> <p>CUSTOMER DRAWING</p>	<p>Tape Electronics Corporation</p> <p>Harrisburg, PA 17105-3600</p> <p>RIGHT ANGLE RECEPTACLE ASSEMBLY WITH GUIDES MULTI-BEAM RL</p> <p>00779</p> <p>6450570</p> <p>PAGE 2 OF 3</p>
--	--	---	--

REV	DATE	DESCRIPTION	BY	CHK	APP
ES	00	SEE SHEET 1			

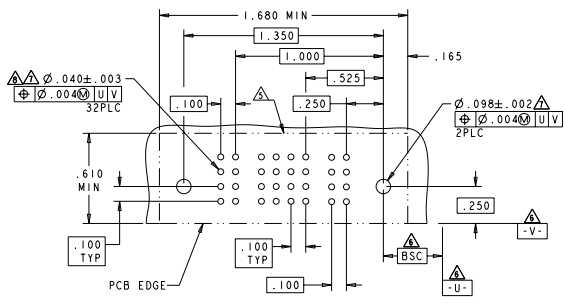
PART NUMBER	ROWS	POWER				SIGNAL				POWER								
		P2	4	3	2	1	P1	4	3	2	1	P2	4	3	2	1		
6450570-9	D C B A	RS	D	D	D	D	D	D	D	D	RP	RP	RP	RP	RP	RP	RP	RP
			C	C	C	C	C	C	C	C								
			B	B	B	B	B	B	B	B								
			A	A	A	A	A	A	A	A								
IP + 16S + IP																		



PART NUMBER	ROWS	POWER				SIGNAL				POWER							
		P8	P7	P6	P5	6	5	4	3	2	1	P4	P3	P2	P1		
1-6450570-2	D C B A	HD	RP	RP	RP	RP	D	D	D	D	RP	RP	RP	RP	RP	RP	RP
			C	C	C	C	C	C	C	C							
			B	B	B	B	B	B	B	B							
			A	A	A	A	A	A	A	A							
4P + 24S + 4P																	



PART NUMBER	ROWS	POWER				SIGNAL				POWER							
		P2	4	3	2	1	P1	4	3	2	1	P2	4	3	2	1	
1-6450570-3	D C B A	HD	RP	D	D	D	D	D	D	D	D	RS	RS	RS	RS	RS	RS
			C	C	C	C	C	C	C	C							
			B	B	B	B	B	B	B	B							
			A	A	A	A	A	A	A	A							
IP + 16S + IP																	



TITLE: RIGHT ANGLE RECEPTACLE ASSEMBLY WITH GUIDES MULTI-BEAM XL PART NUMBER: 6450570-2 REV: A		DATE: 11-13-03 DRAWN BY: J. FLECHNER CHECKED BY: J. FLECHNER APPROVED BY: J. FLECHNER		TYLE ELECTRONICS CORPORATION Harrisburg, PA 17105-3600 PHONE: 717-633-3333 FAX: 717-633-3333 WWW: www.tyler.com	
SHEET: 2 OF 4 SCALE: 1:1 CUSTOMER DRAWING		PART NUMBER: 6450570-2 REV: A		DATE: 11-13-03 DRAWN BY: J. FLECHNER CHECKED BY: J. FLECHNER APPROVED BY: J. FLECHNER	

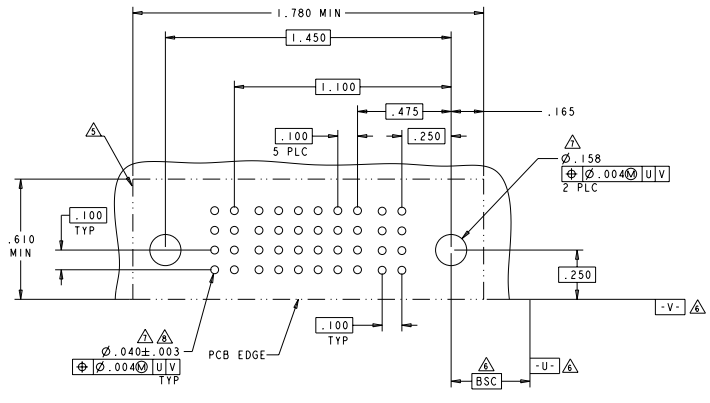
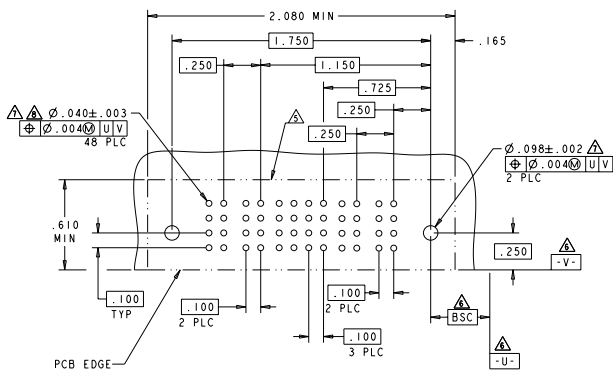
REV. NO.		REVISIONS	
ES	00	DATE	BY

PART NUMBER	ROWS	POWER				SIGNAL				POWER'	
		P4	P3	4	3	2	1	P2	P1		
I-6450570-4	D C B A	RS	RP	D	D	D	D	D	D	RP	RS
				C	C	C	C	C	C		
				B	B	B	B	B	B		
				A	A	A	A	A	A		

2P + 16S + 2P

PART NUMBER	ROWS	POWER		SIGNAL					POWER	
		P2	6	5	4	3	2	1	P1	
I-6450570-5	D C B A	RP	D	D	D	D	D	D	RS	
			C	C	C	C	C	C		
			B	B	B	B	B	B		
			A	A	A	A	A	A		

IP + 24S + IP



DATE: 08/27/05 INCHES: 100% TYPICAL DIMENSIONS: 100% TOLERANCES: .005 FINISH: .005		DATE: 08/27/05 INCHES: 100% TYPICAL DIMENSIONS: 100% TOLERANCES: .005 FINISH: .005		DATE: 08/27/05 INCHES: 100% TYPICAL DIMENSIONS: 100% TOLERANCES: .005 FINISH: .005	
DATE: 08/27/05 INCHES: 100% TYPICAL DIMENSIONS: 100% TOLERANCES: .005 FINISH: .005		DATE: 08/27/05 INCHES: 100% TYPICAL DIMENSIONS: 100% TOLERANCES: .005 FINISH: .005		DATE: 08/27/05 INCHES: 100% TYPICAL DIMENSIONS: 100% TOLERANCES: .005 FINISH: .005	
DATE: 08/27/05 INCHES: 100% TYPICAL DIMENSIONS: 100% TOLERANCES: .005 FINISH: .005		DATE: 08/27/05 INCHES: 100% TYPICAL DIMENSIONS: 100% TOLERANCES: .005 FINISH: .005		DATE: 08/27/05 INCHES: 100% TYPICAL DIMENSIONS: 100% TOLERANCES: .005 FINISH: .005	