

4

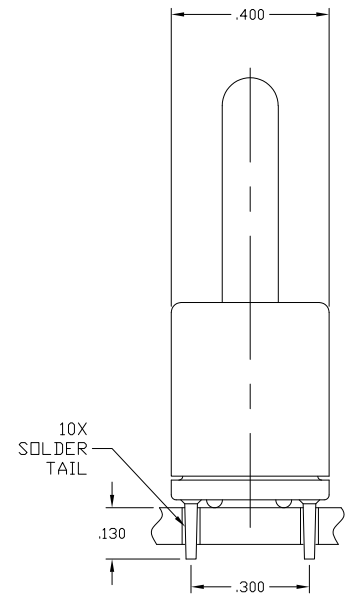
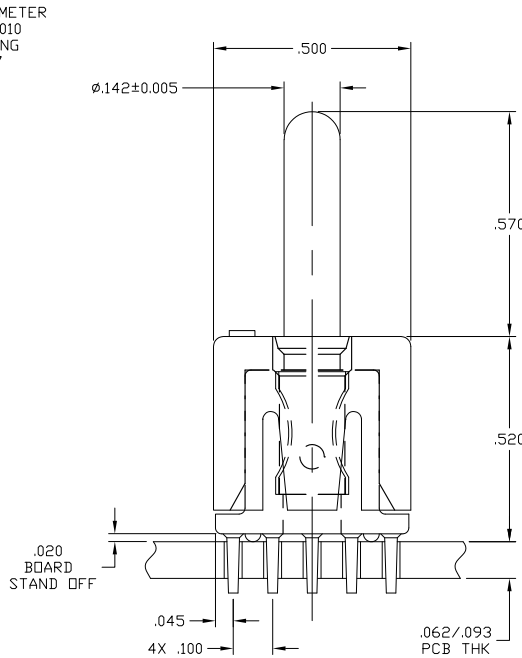
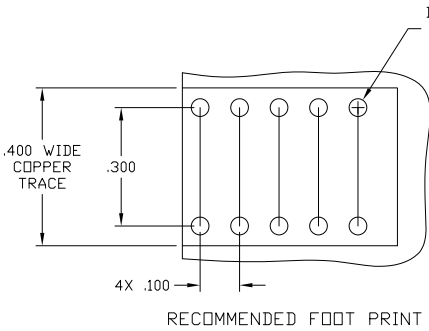
3

2

1

THIS DRAWING IS UNPUBLISHED. RELEASED FOR PUBLICATION
 © COPYRIGHT - BY TYCO ELECTRONICS CORPORATION. ALL INTERNATIONAL RIGHTS RESERVED.

LOC	DIST	REVISIONS					
GP	00	P	LTR	DESCRIPTION	DATE	DWN	APVD
		B		REV PER ECO-10-020184	12JAN2011	RG	NE



- A FIVE POUND (5lb) FORCE IS REQUIRED TO CORRECTLY SEAT THE CONNECTOR WITH PLATED THRU HOLES LESS THAN $\phi.040$ INCH.
- FINISHES:
 - CROWN: GOLD PLATED, .000030 MIN THICK OVER NICKEL PLATED, .000040 MIN THICK.
 - INSERT: SILVER PLATED, .000200 MIN THICK, OVER NICKEL PLATED, .000040 MIN THICK.
 - CONTACT: SILVER PLATED, .000200 MIN THICK, OVER ELECTROLESS NICKEL PLATED, .000040 MIN THICK.
- MATERIALS:
 - HOUSING: THERMOPLASTIC, GLASS REINFORCED, COLOR-BLACK UL94V-0 FLAMMABILITY RATED
 - INSERT: ZINC ALLOY, CASTING
 - CROWN: COPPER ALLOY
 - CONTACT: BRASS ALLOY

2. ITEMS PROVIDED TO THIS SPECIFICATION SHALL BE IDENTIFIED ON THE CONTAINER WITH THE FOLLOWING INFORMATION: PART NUMBER & DATE CODE OF MANUFACTURE.

1. PART NUMBER CHANGES AND OR DESIGN CHANGES AFFECTING ITEM INTERCHANGEABILITY REQUIRE PRIOR TYCO APPROVAL AND AUTHORIZATION BY REVISION TO THIS DRAWING.

6643436-1
 PART NUMBER

THIS DRAWING IS A CONTROLLED DOCUMENT.		DWN	12JAN2011	 Tyco Electronics Corporation Harrisburg, PA 17105-3608	
		CHK	HA/GRZYBOWSKI		
DIMENSIONS:		D. ORRIS		NAME FLICKINGER/ORRIS	
INCHES		APVD			
TOLERANCES UNLESS OTHERWISE SPECIFIED: 0 PLC ± - 1 PLC ± - 2 PLC ± .02 3 PLC ± .010 4 PLC ± - ANGLES ± .5		PRODUCT SPEC		IC CON, PIN, No.8 PERPENDICULAR SOLDER TAIL, 10 PIN FOOT PRINT NON LOCKING STYLE, .570 PIN EXT	
MATERIAL		APPLICATION SPEC			
FINISH		SIZE	CAGE CODE	DRAWING NO	RESTRICTED TO
		A3	00779	C-6643436	-
		WEIGHT		CUSTOMER DRAWING	SCALE
				4:1	SHEET
				1	OF 1
				REV	B