

4

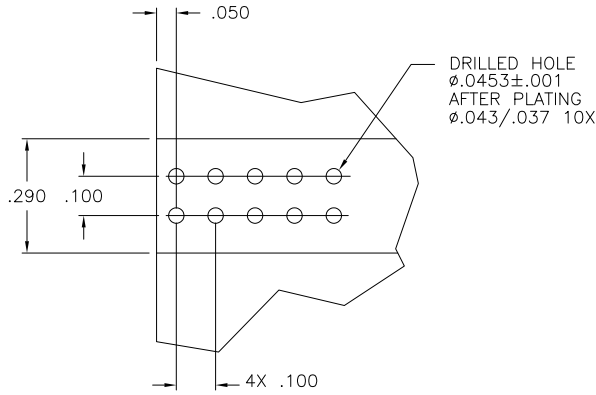
3

2

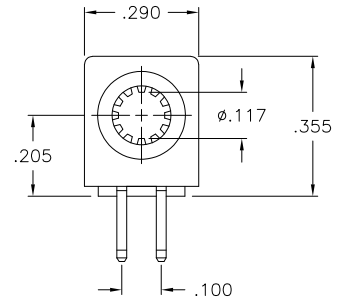
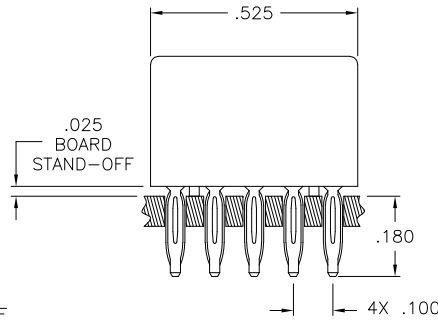
1

THIS DRAWING IS UNPUBLISHED. RELEASED FOR PUBLICATION
 © COPYRIGHT - BY TYCO ELECTRONICS CORPORATION. ALL RIGHTS RESERVED.

LOC	DIST	REVISIONS			
P	LTR	DESCRIPTION	DATE	DWN	APVD
GP	00				
		C	REV PER ECO-08-005464	13MAR08	RG DO



SUGGESTED BOARD LAYOUT



- PART NUMBER CHANGES AND/OR DESIGN CHANGES AFFECTING ITEM INTERCHANGEABILITY REQUIRE PRIOR TYCO ELECTRONICS APPROVAL AND AUTHORIZATION BY REVISION TO THIS DRAWING.
- ITEMS PROVIDED TO THIS SPECIFICATION SHALL BE IDENTIFIED ON THE CONTAINER WITH THE PART NUMBER AND DATE CODE OF MANUFACTURE.
- MATERIALS:
 INSULATOR - POLYESTER, GLASS FILLED, UL 94V-0 RATED, COLOR BLACK
 CROWN CONTACT - COPPER ALLOY.
 CONTACT BODY - PHOSPHOR BRONZE
- FINISHES:
 CROWN CONTACT - GOLD PLATE .000030 MIN THK. OVER NICKEL .000050 MIN THK.
 CONTACT BODY - SILVER PLATE .000100 MIN THK. OVER NICKEL .000050 MIN THK.

AS SHOWN	6643220-1
DESCRIPTION	PART NO.

THIS DRAWING IS A CONTROLLED DOCUMENT.		DWN	03DEC2007	Tyco Electronics		Tyco Electronics Corporation Harrisburg, PA 17105-3608															
DIMENSIONS: INCHES		CHK	11DEC07	NAME		RESTRICTED TO															
<table border="1"> <tr> <th colspan="2">TOLERANCES UNLESS OTHERWISE SPECIFIED:</th> </tr> <tr> <td>0 PLC</td> <td>± .</td> </tr> <tr> <td>1 PLC</td> <td>± .</td> </tr> <tr> <td>2 PLC</td> <td>± .02</td> </tr> <tr> <td>3 PLC</td> <td>± .010</td> </tr> <tr> <td>4 PLC</td> <td>± .</td> </tr> <tr> <td>ANGLES</td> <td>± .5</td> </tr> </table>		TOLERANCES UNLESS OTHERWISE SPECIFIED:		0 PLC	± .	1 PLC	± .	2 PLC	± .02	3 PLC	± .010	4 PLC	± .	ANGLES	± .5	APVD	11DEC07	PRODUCT SPEC		CONNECTOR, SOCKET, SLIMLINE PARALLEL PIN, COMPLIANT TAIL ICCON	
TOLERANCES UNLESS OTHERWISE SPECIFIED:																					
0 PLC	± .																				
1 PLC	± .																				
2 PLC	± .02																				
3 PLC	± .010																				
4 PLC	± .																				
ANGLES	± .5																				
MATERIAL		APPLICATION SPEC		SIZE	CAGE CODE	DRAWING NO															
FINISH		WEIGHT		A3	00779	6643220															
CUSTOMER DRAWING				SCALE	4:1	SHEET	1 OF 1														
				REV	C																