

4

3

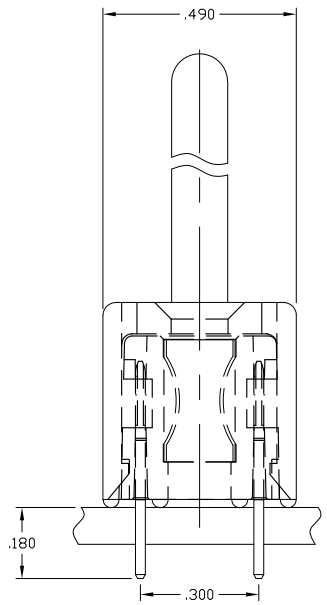
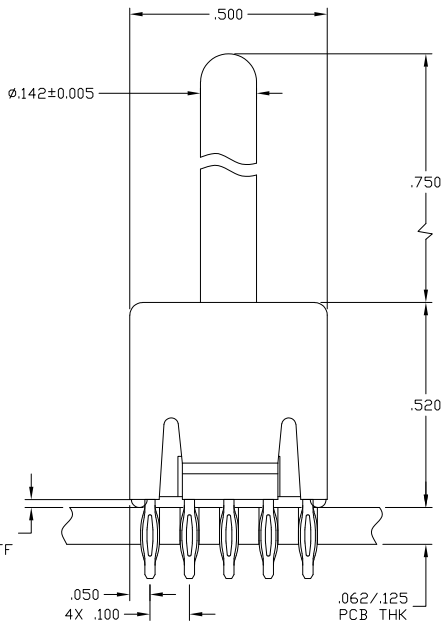
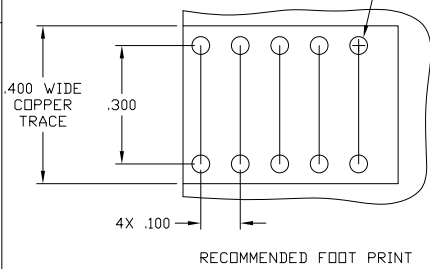
2

1

THIS DRAWING IS UNPUBLISHED. RELEASED FOR PUBLICATION
 © COPYRIGHT - BY TYCO ELECTRONICS CORPORATION. ALL INTERNATIONAL RIGHTS RESERVED.

LOC	DIST	REVISIONS					
GP	00	P	LTR	DESCRIPTION	DATE	DWN	APVD
		B		REV PER ECO-10-020184	12JAN2011	RG	NE

RECOMMENDED PRINTED CIRCUIT HOLE
 COMPLIANT PRESS FIT
 DRILLED HOLE: $\phi 0.453 \pm 0.005$
 COPPER PLATE: .0010 - .0020 (PER SURFACE)
 TIN PLATE: .00002 MINIMUM (PER SURFACE)
 10X



- FOR APPLICATIONS UTILIZING AN IMMERSION SILVER PLATED PCB. CONSULT TYCO ENGINEERING.
- FINISHES:
 - CROWN: GOLD PLATED, .000030 MIN THICK OVER NICKEL PLATED, .000040 MIN THICK.
 - INSERT: SILVER PLATED, .000200 MIN THICK, OVER NICKEL PLATED, .000040 MIN THICK.
 - COMPLIANT TAIL: SILVER PLATED, .000200 MIN THICK, OVER NICKEL PLATED, .000040 MIN THICK.
 - CONTACT: SILVER PLATED, .000200 MIN THICK, OVER ELECTROLESS NICKEL PLATED, .000040 MIN THICK.
- MATERIALS:
 - HOUSING: THERMOPLASTIC, GLASS REINFORCED, COLOR-BLACK UL94V-0 FLAMMABILITY RATED
 - CROWN: COPPER ALLOY
 - INSERT: ZINC ALLOY, CASTING
 - CONTACT: BRASS ALLOY
 - COMPLIANT TAIL: PHOSPHOR BRONZE ALLOY

- ITEMS PROVIDED TO THIS SPECIFICATION SHALL BE IDENTIFIED ON THE CONTAINER WITH THE FOLLOWING INFORMATION: PART NUMBER & DATE CODE OF MANUFACTURE.
- PART NUMBER CHANGES AND OR DESIGN CHANGES AFFECTING ITEM INTERCHANGEABILITY REQUIRE PRIOR TYCO APPROVAL AND AUTHORIZATION BY REVISION TO THIS DRAWING.

6643450-1
 PART NUMBER

THIS DRAWING IS A CONTROLLED DOCUMENT.		DWN	12JAN2011	 Tyco Electronics Corporation Harrisburg, PA 17105-3608
		CHK	HA/GRZYBOWSKI	
DIMENSIONS: INCHES		ORRIS	12JAN2011	NAME FLICKINGER/ORRIS PRODUCT SPEC APPLICATION SPEC
		APVD	FLICKINGER/ORRIS	
TOLERANCES UNLESS OTHERWISE SPECIFIED:		SIZE	A3	CAGE CODE 00779 DRAWING NO 6643450
0 PLC ± - 1 PLC ± - 2 PLC ± .02 3 PLC ± .010 4 PLC ± - ANGLES ± .5		RESTRICTED TO		
MATERIAL FINISH		WEIGHT		CUSTOMER DRAWING SCALE 4:1 SHEET 1 OF 1 REV B