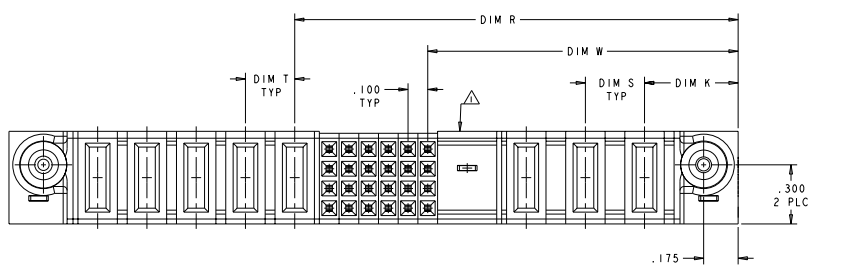
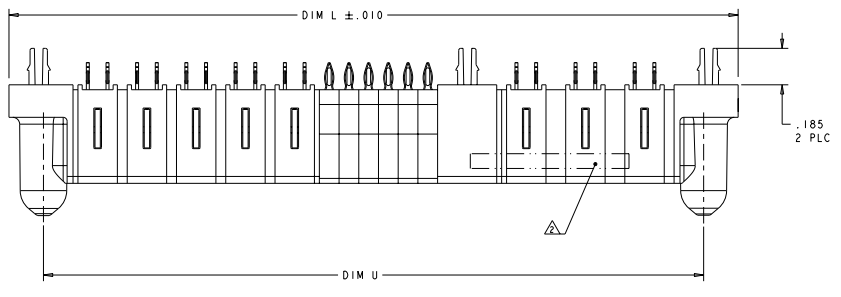
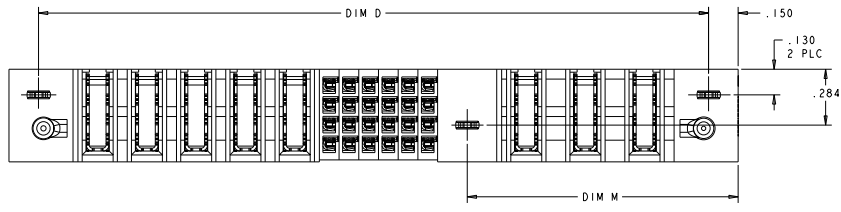
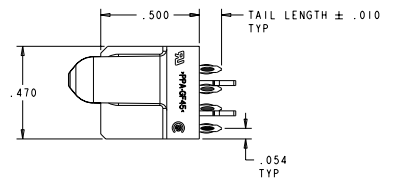


DATE MARKING TO IMPROVE TRACEABILITY
 RECEIVED FOR FABRICATION
 BY TECH ELECTRONICS CORPORATION, ALL RIGHTS RESERVED

REV. NO.		REVISIONS	
REV. NO.	DESCRIPTION	DATE	BY
T1	ADDED NEW DASH NUMBER -68	04/02/99	HL SF
T2	ASSIGN NEW P/N -69 INSTEAD OF -68	05/02/99	HL SF
T3	REV PER ECR-09-019524	04/02/99	HL SF
T4	REV PER ECR-09-027917	04/02/99	HL SF



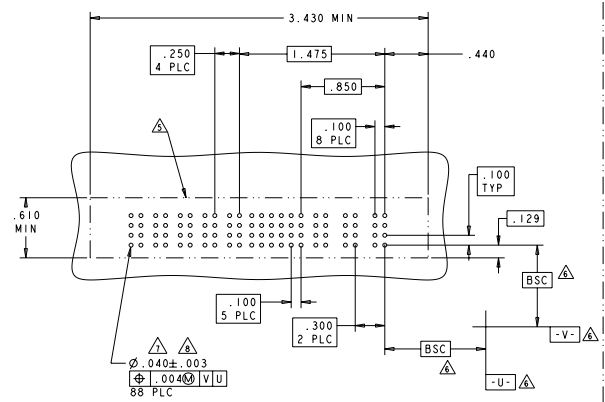
- △ OPTIONAL CENTER MODULE, WITH Ø.150 THRU HOLE OR HOLD DOWN FEATURE
- △ "AMP", PART NUMBER, AND DATE CODE TO BE MARKED IN AREA SHOWN MARKING ON BOTH SIDES PERMITTED FOR PARTS UNDER 2.00 LONG
- △ MATERIAL: HOUSING - GLASS FILLED HIGH TEMP THERMO PLASTIC, UL94 V-0, BLACK
 SIGNAL CONTACT - HIGH CONDUCTIVITY COPPER ALLOY
 POWER CONTACT - HIGH CONDUCTIVITY COPPER ALLOY
- △ CONTACT PLATING: SIGNAL CONTACTS - .000050 MIN Ni UNDER ALL
 .000030 MIN Au ON CONTACT AREA
 .000100 MIN Sn AT PCB INTERFACE
 POWER CONTACTS - .000050 MIN Ni UNDER ALL
 .000030 MIN Au ON CONTACT AREA
 .000100 MIN Sn AT PCB INTERFACE
- △ MECHANICAL CONNECTOR KEEP OUT ZONE
- △ DATUM AND BASIC DIMENSIONS ESTABLISHED BY CUSTOMER
- △ PCB - ALL HOLE DIAMETERS ARE FINISHED HOLE SIZES
- △ PCB - .0453 ± .0010 DRILLED HOLES PLATED WITH .0003 MIN Sn OVER .001 TO .003 PLATING TO ACHIEVE A .040 HOLE
- △ VARIABLE DIMENSION SHOWN ON VIEW (SHEET 7,10)



TECHNICAL SPECIFICATIONS		REVISIONS		TECHNICAL SPECIFICATIONS	
INCHES	0.0005 INCHES	02MAY95	02MAY95	Type Electronics Corporation Saugus, P.O. Box 200230	
DESIGNED BY	W. FLECHNER	DATE	02MAY95	VERTICAL RECEPTACLE ASSEMBLY WITH GUIDES, MULTI-BEAM XL	
DRAWN BY	108-1933	PROJECT NO.	116-13038	STATE	MASSACHUSETTS
CHECKED BY	116-13038	REVISED BY		REVISED BY	
APPROVED BY		DATE	00779	DATE	00779
CUSTOMER DRAWING		CUSTOMER DRAWING		CUSTOMER DRAWING	

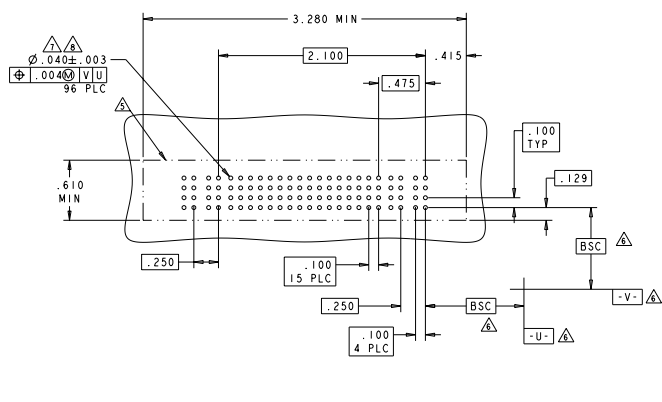
PART NUMBER	ROWS	POWER (L1)						SIGNAL						POWER (R1)			
		P8	P7	P6	P5	P4	P3	6	5	4	3	2	1	P3	P2	P1	
6450550-1	D	GS	GS	GS	GS	GS	GS	AP	AP	AP	AP	AP	AP	AP	AP	GS	GS
	C	GS	GS	GS	GS	GS	GS	AP	AP	AP	AP	AP	AP	AP	AP	GS	GS
	B	GS	GS	GS	GS	GS	GS	AP	AP	AP	AP	AP	AP	AP	AP	GS	GS
	A	GS	GS	GS	GS	GS	GS	AP	AP	AP	AP	AP	AP	AP	AP	GS	GS

3ACP * 24S * 5P



PART NUMBER	ROWS	POWER (L1)											SIGNAL											POWER (R1)	
		P4	P3	16	15	14	13	12	11	10	9	8	7	6	5	4	3	2	1	P2	P1				
6450550-3	D	GS	GS	GS	GS	GS	GS	GS	GS	GS	GS	GS	GS	GS	GS	GS	GS	GS	GS	AP	AP				
	C	GS	GS	GS	GS	GS	GS	GS	GS	GS	GS	GS	GS	GS	GS	GS	GS	GS	GS	AP	AP				
	B	GS	GS	GS	GS	GS	GS	GS	GS	GS	GS	GS	GS	GS	GS	GS	GS	GS	GS	AP	AP				
	A	GS	GS	GS	GS	GS	GS	GS	GS	GS	GS	GS	GS	GS	GS	GS	GS	GS	GS	AP	AP				

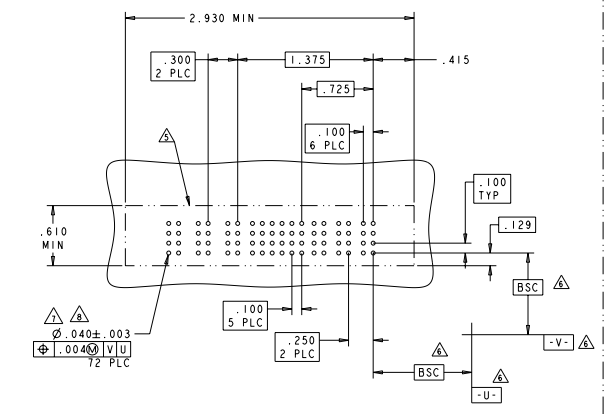
2P * 64S * 2P



REV	DATE	DESCRIPTION	BY	CHK	APP
ES	00	SEE SHEET 1			

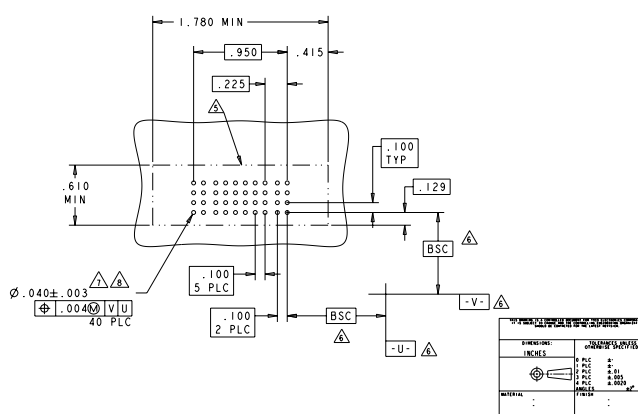
PART NUMBER	ROWS	POWER (L1)						SIGNAL						POWER (R1)		
		P6	P5	P4	6	5	4	3	2	1	P3	P2	P1			
6450550-2	D	GS	GS	GS	GS	GS	GS	AP	AP	AP	AP	AP	AP	AP	GS	GS
	C	GS	GS	GS	GS	GS	GS	AP	AP	AP	AP	AP	AP	AP	GS	GS
	B	GS	GS	GS	GS	GS	GS	AP	AP	AP	AP	AP	AP	AP	GS	GS
	A	GS	GS	GS	GS	GS	GS	AP	AP	AP	AP	AP	AP	AP	GS	GS

3P * 24S * 3ACP



PART NUMBER	ROWS	POWER (L1)					SIGNAL					POWER (R1)	
		P2	6	5	4	3	2	1	P3	P2	P1		
6450550-4	D	GS	GS	GS	GS	GS	AP	AP	AP	AP	AP	GS	GS
	C	GS	GS	GS	GS	GS	AP	AP	AP	AP	AP	GS	GS
	B	GS	GS	GS	GS	GS	AP	AP	AP	AP	AP	GS	GS
	A	GS	GS	GS	GS	GS	AP	AP	AP	AP	AP	GS	GS

1P * 24S * 1P

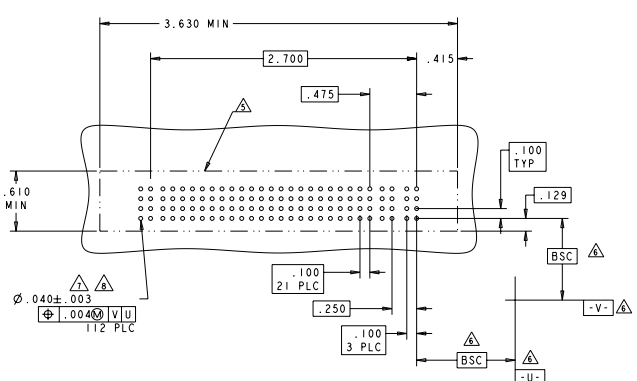


CODE	DESCRIPTION	TAIL LENGTH
VP	POWER CONTACT MFBL	.115
VS	POWER CONTACT STD	.115
P	SIGNAL CONTACT	.115
AT	SIGNAL CONTACT	.135
PT	POWER CONTACT MFBL	.135
ST	POWER CONTACT STD	.135
BP	SIGNAL CONTACT	.165
HS	POWER CONTACT STD	.165
HP	POWER CONTACT MFBL	.165
AP	SIGNAL CONTACT	.135
GS	POWER CONTACT STD	.135
GP	POWER CONTACT MFBL	.135

DIMENSIONS: INCHES UNLESS OTHERWISE SPECIFIED TOLERANCES: .010 .005 .002 .001 .0005 .0002 .0001	TYP. PART NO. 6450550-1 DATE 08/15/2018 BY TSC ELECTRONICS CORPORATION ALL RIGHTS RESERVED	TSC ELECTRONICS CORPORATION 100-1913 116-13038 00779-6450550	VERTICAL RECEPTACLE ASSEMBLY WITH GUIDES, MULTI-BEAM XL DRAWING NO. 6450550-1 SHEET 1 OF 4
---	---	---	---

PART NUMBER	ROWS	PWR	SIGNAL																	PWR								
			P3	22	21	20	19	18	17	16	15	14	13	12	11	10	9	8	7		6	5	4	3	2	1	P2	P1
645050-5	D C B A	○	○	○	○	○	○	○	○	○	○	○	○	○	○	○	○	○	○	○	○	○	○	○	○	○	○	○

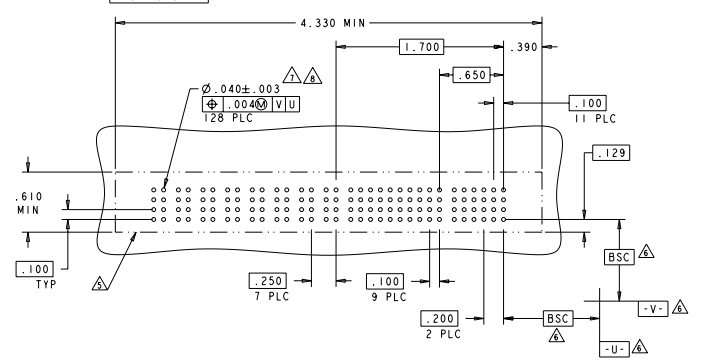
2P + 8S + 1P



REV		REV		REVISIONS		
ES	00	PL	LN	DESCRIPTION	DATE	BY
				SEE SHEET 1		

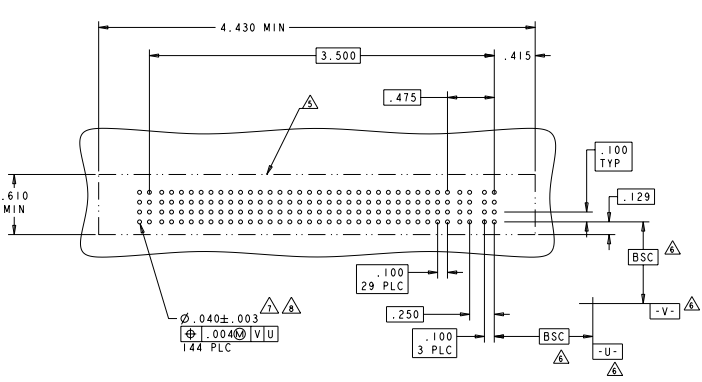
PART NUMBER	ROWS	PWR	SIGNAL																	PWR								
			P11	P10	P9	P8	P7	P6	P5	P4	10	9	8	7	6	5	4	3	2		1	P3	P2	P1				
645050-7	D C B A	○	○	○	○	○	○	○	○	○	○	○	○	○	○	○	○	○	○	○	○	○	○	○	○	○	○	○

3P + 8S + 8P



PART NUMBER	ROWS	PWR	SIGNAL																													PWR						
			P3	30	29	28	27	26	25	24	23	22	21	20	19	18	17	16	15	14	13	12	11	10	9	8	7	6	5	4	3		2	1	P2	P1		
645050-6	D C B A	○	○	○	○	○	○	○	○	○	○	○	○	○	○	○	○	○	○	○	○	○	○	○	○	○	○	○	○	○	○	○	○	○	○	○	○	○

2P + 12S + 1P

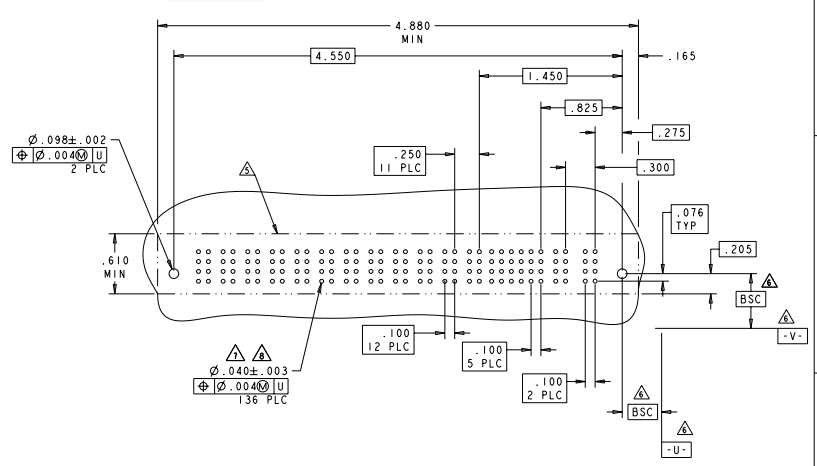
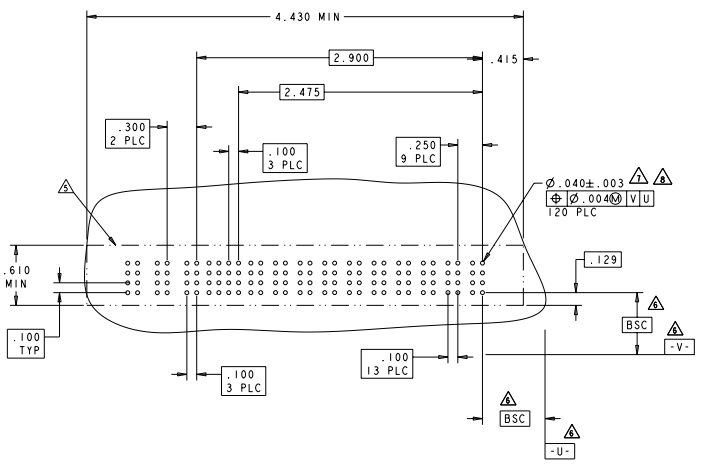


TYPHOON ELECTRONICS CORPORATION		TYPHOON ELECTRONICS CORPORATION		TYPHOON ELECTRONICS CORPORATION	
INCHES		MILLIMETERS		MILLIMETERS	
DATE		DATE		DATE	
DRAWN		CHECKED		APPROVED	
PART NUMBER		PART NUMBER		PART NUMBER	
REV		REV		REV	
CUSTOMER DRAWING		CUSTOMER DRAWING		CUSTOMER DRAWING	
TYPHOON ELECTRONICS CORPORATION		TYPHOON ELECTRONICS CORPORATION		TYPHOON ELECTRONICS CORPORATION	
SINGAPORE, P. O. BOX 200233		SINGAPORE, P. O. BOX 200233		SINGAPORE, P. O. BOX 200233	
VERTICAL RECEPTACLE ASSEMBLY WITH GUIDES, MULTI-BEAM XL		VERTICAL RECEPTACLE ASSEMBLY WITH GUIDES, MULTI-BEAM XL		VERTICAL RECEPTACLE ASSEMBLY WITH GUIDES, MULTI-BEAM XL	
SCALE CODE		SCALE CODE		SCALE CODE	
A 00779		A 00779		A 00779	
645050		645050		645050	
PAGE 1		PAGE 1		PAGE 1	
OF 4		OF 4		OF 4	
REV 1.4		REV 1.4		REV 1.4	

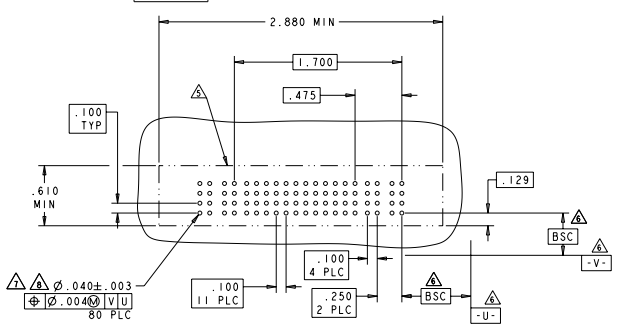
REV	DATE	REVISIONS
ES	00	SEE SHEET 1

PART NUMBER	ROWS	POWER										SIGNAL										POWER									
		P1	P2	P3	P4	P5	P6	P7	P8	P9	P10	S1	S2	S3	S4	S5	S6	S7	S8	S9	S10	P11	P12	P13	P14	P15	P16	P17	P18	P19	P20
4450550-0	D C B A	GS	GS	GS	GS	GS	GS	GS	GS	GS	GS	GS	GS	GS	GS	GS	GS	GS	GS	GS	GS	GS	GS	GS	GS	GS	GS	GS	GS	GS	
10P * 16S * 3ACP																															

PART NUMBER	ROWS	POWER (L)										SIGNAL										POWER (R)									
		P14	P13	P12	P11	P10	P9	P8	P7	P6	P5	S1	S2	S3	S4	S5	S6	S7	S8	S9	S10	P1	P2	P3	P4	P5	P6	P7	P8	P9	P10
1-4450550-1	D C B A	GS	GS	GS	GS	GS	GS	GS	GS	GS	GS	GS	GS	GS	GS	GS	GS	GS	GS	GS	GS	GS	GS	GS	GS	GS	GS	GS	GS	GS	
2ACP * 24S * 12P																															



PART NUMBER	ROWS	POWER										SIGNAL										POWER									
		P4	P3	I2	I1	I0	9	8	7	6	5	4	3	2	1	P2	P1	P11	P10	P9	P8	P7	P6	P5	P4	P3	P2	P1			
1-4450550-0	D C B A	GS	GS	GS	GS	GS	GS	GS	GS	GS	GS	GS	GS	GS	GS	GS	GS	GS	GS	GS	GS	GS	GS	GS	GS	GS	GS	GS	GS	GS	
2P * 48S * 2P																															

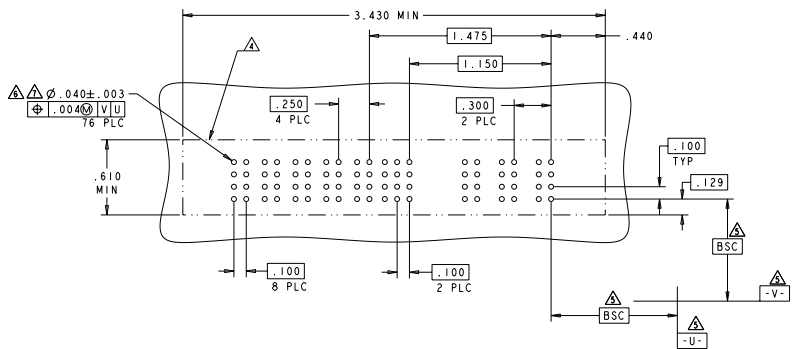


DIMENSIONS IN INCHES UNLESS OTHERWISE SPECIFIED DECIMALS: .0005 FRACTIONS: 1/16, 1/32, 1/64, 3/16, 1/2, 5/8, 3/4, 7/8, 1	DRAWN BY: J. W. FLECHNER CHECKED BY: J. W. FLECHNER DATE: 108-1913 SPECIFICATION NO.: 114-13038 REVISION: A	TYPE ELECTRONICS CORPORATION SINGAPORE, P. O. BOX 200233 VERTICAL RECEPTACLE ASSEMBLY WITH GUIDES, MULTI-BEAM XL PART NUMBER: 6450550 CUSTOMER DRAWING: 100779
---	---	---

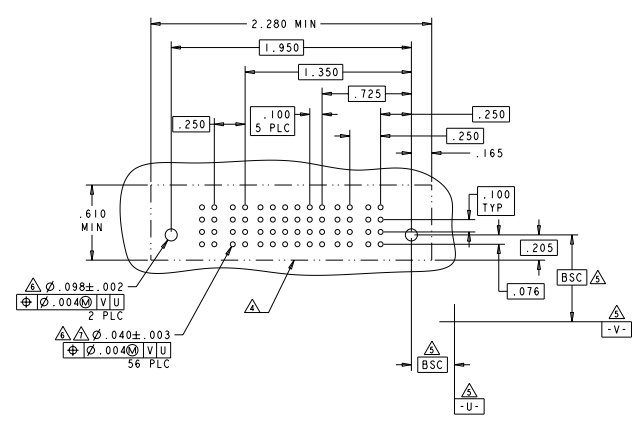
REV	DATE	DESCRIPTION	BY	CHK
ES	00	SEE SHEET 1		

PART NUMBER	ROWS	POWER (L)					SIGNAL					POWER (R)			
		P8	P7	P6	P5	P4	6	5	4	3	2	1	P3	P2	P1
5-6450550-3	D C B A	GP	GP	GP	GS	AP	AP	AP	AP	AP	AP	AP	GP	GS	GS
3ACP + 24S + 5P															

NO CONTACTS LOADED

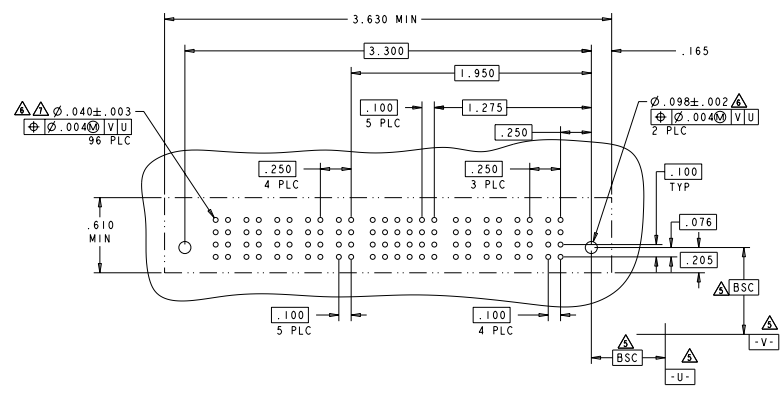


ASSY PART NUMBER	ROWS	POWER					SIGNAL					POWER	
		P4	P3	6	5	4	3	2	1	P2	P1		
4-6450550-7	D C B A	GS	GP	AP	AP	AP	AP	AP	AP	AP	AP	GP	GS
2P + 24S + 2P													



PART NUMBER	ROWS	POWER (L)					SIGNAL					POWER (R)			
		P9	P8	P7	P6	P5	6	5	4	3	2	1	P4	P3	P2
5-6450550-5	D C B A	GS	GS	GS	GS	AP	AP	AP	AP	AP	AP	AP	GS	GS	GS
4P + 24S + 5P															

NO CONTACTS LOADED

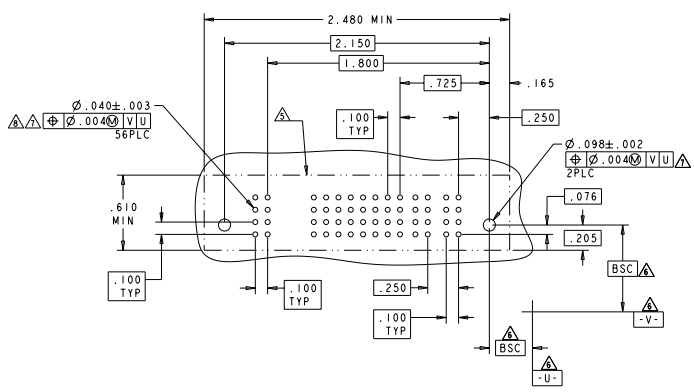
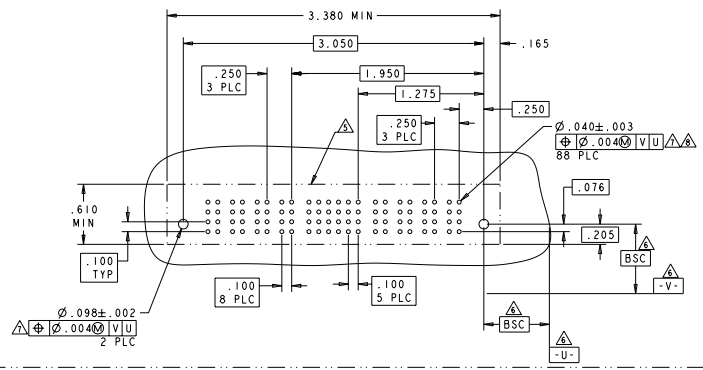
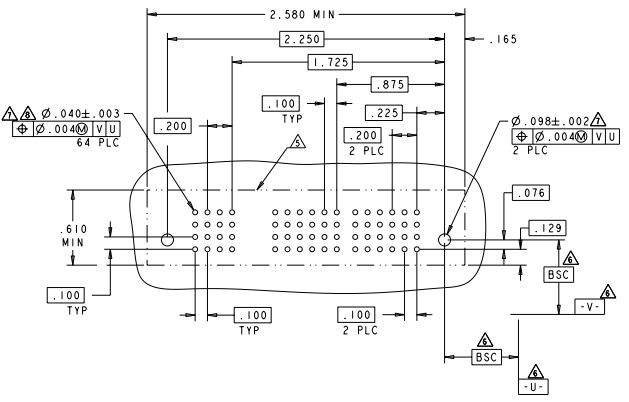


INCHES	UNITS	DATE	REV	BY	CHK
1/16	PLC	08/24/2010	00	ES	ES
TYPICAL ELECTRONICS CORPORATION			TYPICAL ELECTRONICS CORPORATION		
100-1913			116-13038		
CUSTOMER DRAWING			CUSTOMER DRAWING		
VERTICAL RECEPTACLE ASSEMBLY WITH GUIDES, MULTI-BEAM XL			PART NUMBER: 5-6450550-5		
REV: A			DATE: 08/24/2010		
DRAWN BY: ES			CHECKED BY: ES		
SCALE: 1:1			SHEET: 12 OF 14		

REV	DATE	DESCRIPTION	BY	CHK
ES	00	SEE SHEET 1		

PART NUMBER	ROWS	POWER				SIGNAL				POWER				
		P6	P5	P4	P3	6	5	4	3	2	1	P3	P2	P1
5-6450550-6	D C B A	GS	GS	AP	AP	AP	AP	AP	AP	AP	AP	GP	GS	GS
3P + 24S + 3P		NO CONTACT LOADED												

PART NUMBER	ROWS	POWER (L)				SIGNAL				POWER (R)				
		P8	P7	P6	P5	6	5	4	3	2	1	P4	P3	P2
5-6450550-7	D C B A	GP	GS	GP	GS	AP	AP	AP	AP	AP	AP	GS	GS	GP
4P + 24S + 4P		NO CONTACT LOADED												



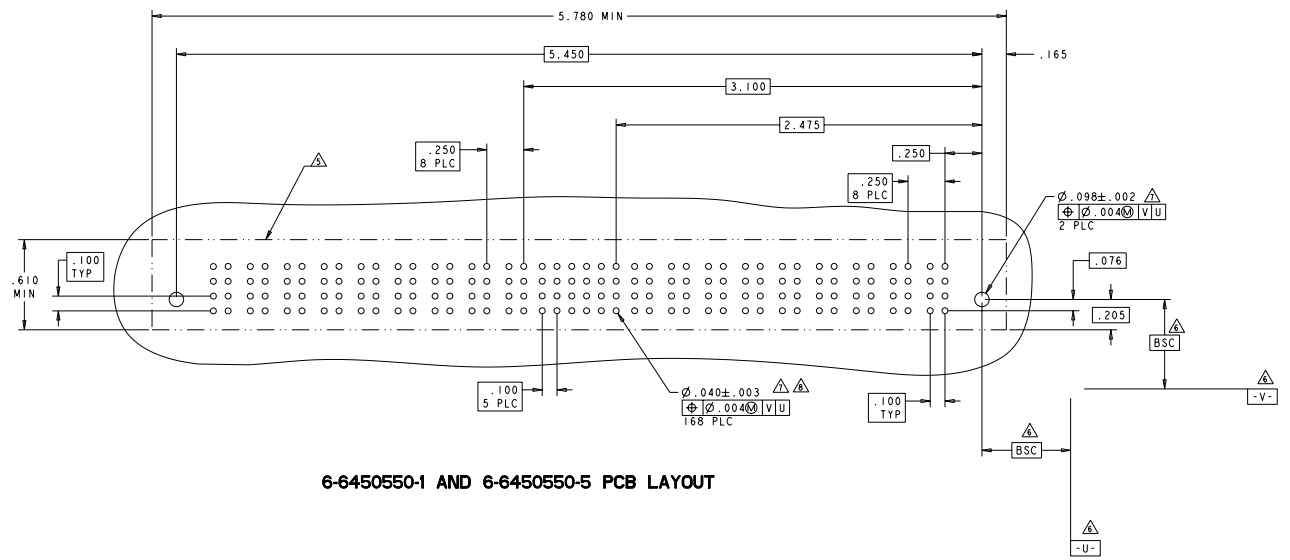
PART NUMBER	ROWS	POWER (L)				SIGNAL				POWER (R)				
		P4	P3	8	7	6	5	4	3	2	1	P2	P1	
5-6450550-8	D C B A	GS	AP	AP	AP	AP	AP	AP	AP	AP	AP	GP	GS	
2P + 32S + 2P		NO CONTACT LOADED												

TYPICAL DIMENSIONS IN INCHES DIMENSIONS IN MILLIMETERS DIMENSIONS IN METERS		02MAY05 02MAY05 02MAY05		Tyco Electronics Corporation Soughton, P.O. Box 200230	
DIMENSIONS IN INCHES DIMENSIONS IN MILLIMETERS DIMENSIONS IN METERS		02MAY05 02MAY05 02MAY05		Tyco Electronics Corporation Soughton, P.O. Box 200230	
DIMENSIONS IN INCHES DIMENSIONS IN MILLIMETERS DIMENSIONS IN METERS		02MAY05 02MAY05 02MAY05		Tyco Electronics Corporation Soughton, P.O. Box 200230	
DIMENSIONS IN INCHES DIMENSIONS IN MILLIMETERS DIMENSIONS IN METERS		02MAY05 02MAY05 02MAY05		Tyco Electronics Corporation Soughton, P.O. Box 200230	

REV	DATE	REVISIONS
ES	00	SEE SHEET 1

PART NUMBER	ROWS	POWER								SIGNAL						POWER									
		P18	P17	P16	P15	P14	P13	P12	P11	1	2	3	4	5	6	P9	P8	P7	P6	P5	P4	P3	P2	P1	
6-6450550-1	D C B A	GS	GS	GP	GP	GS	GS	GS	GS	AP	AP	AP	AP	AP	AP	GS	GS	GS	GS	GP	GP	GS	GS		
		9P + 24S + 9P																							

PART NUMBER	ROWS	POWER								SIGNAL						POWER									
		P18	P17	P16	P15	P14	P13	P12	P11	1	2	3	4	5	6	P9	P8	P7	P6	P5	P4	P3	P2	P1	
6-6450550-5	D C B A	GP	GS	GS	GS	GS	GS	GS	GS	AP	AP	AP	AP	AP	AP	GS	GS	GS	GS	GS	GS	GP	GP		
		9P + 24S + 9P																							



6-6450550-1 AND 6-6450550-5 PCB LAYOUT

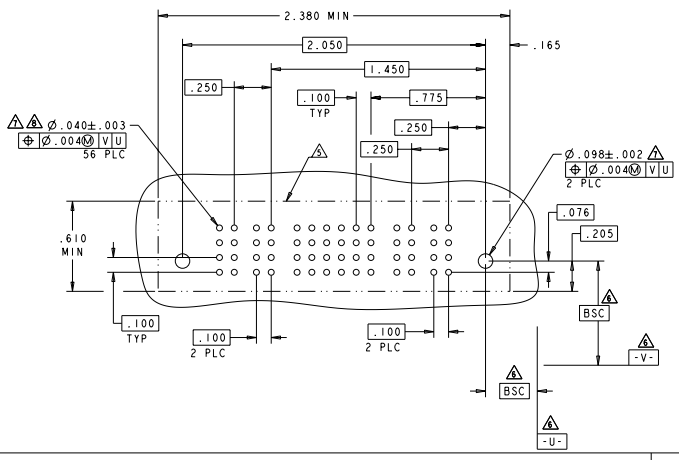
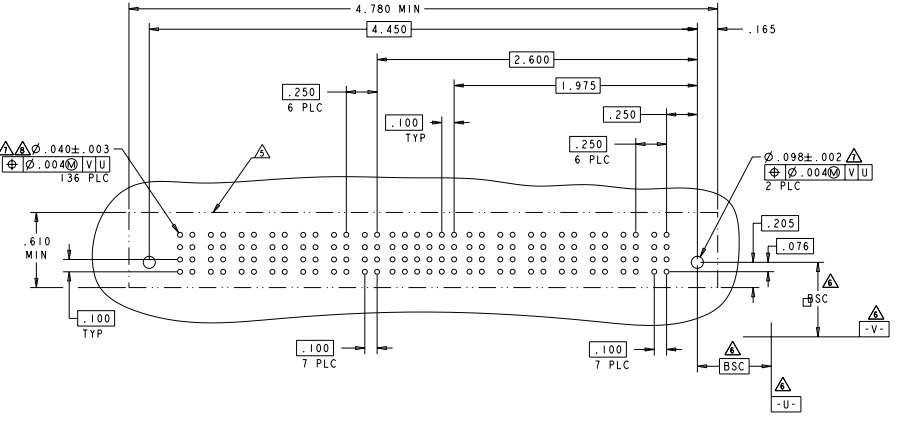
TYPE: INCHES QUANTITY: 1000000 DATE: 108-1913 SPECIFICATION NO: 114-13038 PRICE:	02MAY05 02MAY05 M. PECHERKE 108-1913 114-13038 CUSTOMER DRAWING	Type Electronics Corporation Singapore, P. R. China, 200230 VERTICAL RECEPTACLE ASSEMBLY WITH GUIDES, MULTI-BEAM XL SCALE CODE: 000000 00 00779 6450550 SHEET 15 OF 14
--	--	--

REV		REVISIONS	
NO	DATE	DESCRIPTION	BY
ES	00	SEE SHEET 1	

PART NUMBER	ROWS	POWER						SIGNAL						POWER						
		P14	P13	P12	P11	P10	P9	1	2	3	4	5	6	P7	P6	P5	P4	P3	P2	P1
6-6450550-3	D C B A	GP	GP	GP	GS	GS	GS	AP	AP	AP	AP	AP	AP	GS	GS	GS	GS	GP	GP	GP
		7P + 24S + 7P																		

ASSY PART NUMBER	ROWS	POWER				SIGNAL				POWER							
		P6	P5	P4	P3	4	3	2	1	P2	P1						
6-6450550-4	D C B A	GP	GP	GS	GS	AP	AP	AP	AP	AP	AP	AP	AP	GS	GP		
		2P + 16S + 4P															

REMARK:
PCB LAYOUT THE SAME AS 5-6450550-4

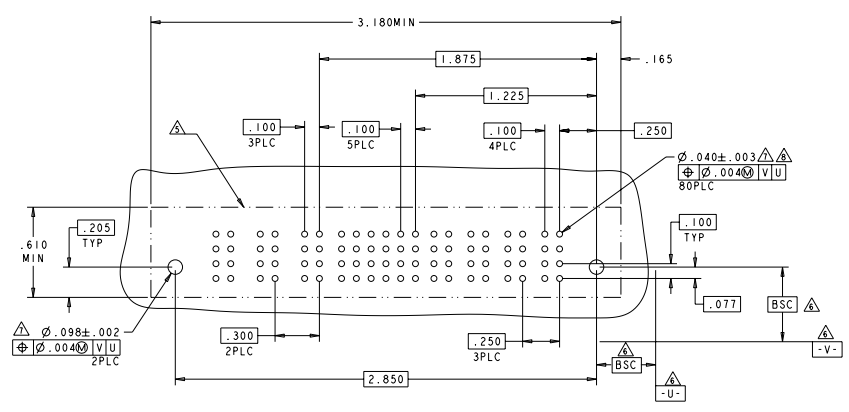


ASSY PART NUMBER	ROWS	POWER				SIGNAL				POWER							
		P4	P3	6	5	4	3	2	1	P2	P1						
6-6450550-6	D C B A	GS	GP	AP	AP	AP	AP	AP	AP	AP	AP	AP	AP	GS	GP		
		2P + 24S + 2P															

TYPE: INCHES DIMENSIONS: 02MAY85 FILE: 108-1913 SPECIFICATION: 001 DATE: 11-6-1988 DRAWN:		TYPE: METRIC DIMENSIONS: 02MAY85 FILE: 108-1913 SPECIFICATION: 001 DATE: 11-6-1988 DRAWN:		Type Electronics Corporation Skaneateles, P.O. Box 200233 VERTICAL RECEPTACLE ASSEMBLY WITH GUIDES, MULTI-BEAM XL STATE: CALIFORNIA CITY: SACRAMENTO ZIP: 95833 PHONE: (916) 486-1100 FAX: (916) 486-1101 CUSTOMER DRAWING:	
--	--	--	--	--	--

REV	DATE	DESCRIPTION	BY	CHK	APP
ES	00	SEE SHEET 1			

PART NUMBER	ROWS	POWER			SIGNAL							POWER				
		P7	P6	P5	6	5	4	3	2	1	P4	P3	P2	P1		
I-6450550-4	D C B A	HDI	VS	VS	VP	P	P	P	P	P	P	VS	VS	VS	VS	HDI
			P	P	P	P	P	P	P	P	P	P	P			
			P	P	P	P	P	P	P	P	P	P	P			
4P + 24S + 3ACP																



ALL DIMENSIONS IN MILLIMETERS UNLESS OTHERWISE SPECIFIED REVISIONS FOR PUBLICATION © 2016 BY ELCODIS		02MAY15 02MAY15 W. FLEISCHER 108-1933 116-13038		Type Electronics Corporation Skaneateles, P.O. Box 200230	
DIMENSIONS IN INCHES 1:1 1:1 1:1 1:1	02MAY15 02MAY15 W. FLEISCHER 108-1933 116-13038	02MAY15 02MAY15 W. FLEISCHER 108-1933 116-13038	02MAY15 02MAY15 W. FLEISCHER 108-1933 116-13038	02MAY15 02MAY15 W. FLEISCHER 108-1933 116-13038	02MAY15 02MAY15 W. FLEISCHER 108-1933 116-13038
CUSTOMER DRAWING			CUSTOMER DRAWING		