

4

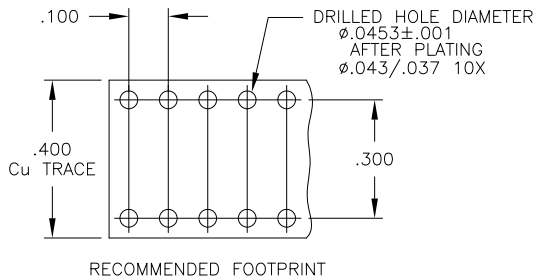
3

2

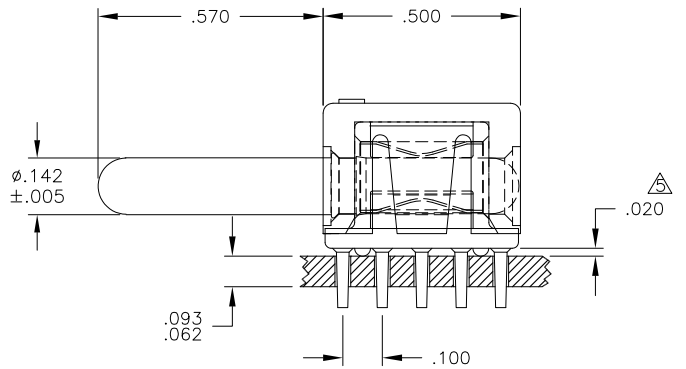
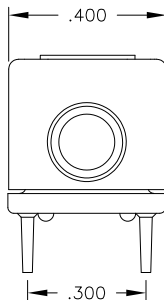
1

THIS DRAWING IS UNPUBLISHED. RELEASED FOR PUBLICATION  
 © COPYRIGHT BY TYCO ELECTRONICS CORPORATION. ALL INTERNATIONAL RIGHTS RESERVED.

LOC		DIST		REVISIONS			
P	LTR	DESCRIPTION	DATE	DWN	APVD		
B		REV PER ECO-10-020184	11JAN2011	RG	NE		



RECOMMENDED FOOTPRINT



⚠ A FIVE-POUND (5lb) FORCE REQUIRED TO CORRECTLY SEAT THE CONNECTOR WITH PLATED THRU HOLES LESS THAN  $\phi .040$  INCH.

4. FINISH:  
 INSULATOR: AS MOLDED, COLOR-BLACK.  
 MODULE: SILVER PLATED  
 CROWN: GOLD PLATED  
 CONTACT: SILVER PLATED
3. MATERIAL:  
 INSULATOR: POLYESTER, GLASS FILLED, UL 94 V-0  
 MODULE: METAL CASTING  
 CROWN: BECU  
 CONTACT: BRASS

2. ITEMS PROVIDED TO THIS SPECIFICATION SHALL BE IDENTIFIED ON CONTAINER WITH THE FOLLOWING INFORMATION PART NUMBER AND DATE CODE OF MANUFACTURE.

1. PART NUMBER CHANGES AND OR DESIGN CHANGES AFFECTING ITEM INTERCHANGEABILITY REQUIRE PRIOR TYCO APPROVAL AND AUTHORIZATION BY REVISION TO THIS DRAWING.

6643431-1  
 PART NUMBER

THIS DRAWING IS A CONTROLLED DOCUMENT.		DWN 11JAN2011 LOVATO/GRZYBOWSKI	Tyco Electronics Corporation Harrisburg, PA 17105-3608																								
DIMENSIONS: INCHES		CHK D. ORRIS	NAME CHAU/ORRIS																								
TOLERANCES UNLESS OTHERWISE SPECIFIED:		APVD 11JAN2011	PRODUCT SPEC																								
<table border="1"> <tr><td>0</td><td>PLC</td><td>±</td><td>-</td></tr> <tr><td>1</td><td>PLC</td><td>±</td><td>-</td></tr> <tr><td>2</td><td>PLC</td><td>±</td><td>-</td></tr> <tr><td>3</td><td>PLC</td><td>±</td><td>.020</td></tr> <tr><td>4</td><td>PLC</td><td>±</td><td>-</td></tr> <tr><td colspan="2">ANGLES</td><td>±</td><td>.5</td></tr> </table>		0	PLC	±	-	1	PLC	±	-	2	PLC	±	-	3	PLC	±	.020	4	PLC	±	-	ANGLES		±	.5	APPLICATION SPEC	
0	PLC	±	-																								
1	PLC	±	-																								
2	PLC	±	-																								
3	PLC	±	.020																								
4	PLC	±	-																								
ANGLES		±	.5																								
MATERIAL		WEIGHT	SIZE A3	CAGE CODE 00779																							
FINISH		DRAWING NO C-6643431		RESTRICTED TO																							
		CUSTOMER DRAWING		SCALE 4:1 SHEET 1 OF 1 REV B																							