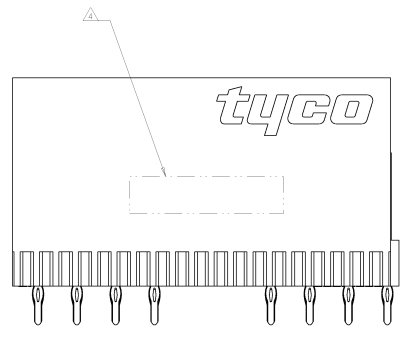
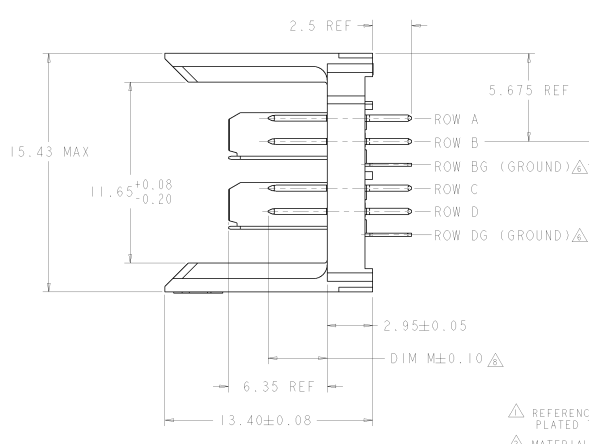
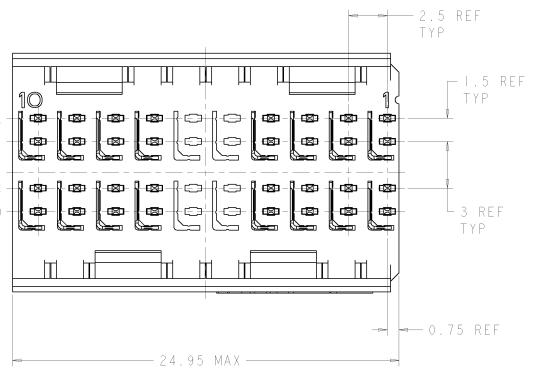
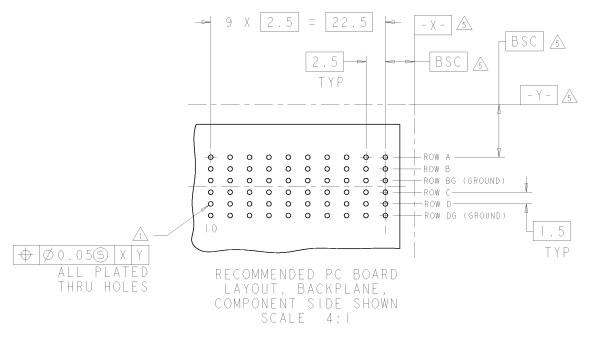


DATE: 01/11/2001	REVISED FOR: 01/11/2001
BY: TYPICAL	BY: TYPICAL

REV	DATE	DESCRIPTION	BY	CHK	APP
00					
0		RELEASED PER EC 0512-0052-02			
A		REVISED PER 0512-0324-02			
B		REV PER 0512-0442-03			
B1		REV PER ECO-01-910141			



- Δ REFERENCE APPLICATION SPEC 114-13059 FOR RECOMMENDED PLATED THRU HOLE DIAMETER AND PLATING THICKNESSES.
- Δ MATERIAL:  
CONTACT AND SHIELD - PHOSPHOR BRONZE  
HOUSING - GLASS FILLED POLYESTER, UL 94V-0.
- Δ FINISH: CONTACT AND SHIELD  
MATING AREA - 0.74 μm MIN GOLD OVER 1.27 μm MIN NICKEL  
COMPLIANT PIN AREA - 0.5 μm MIN BRIGHT TIN-LEAD OVER 1.27 μm MIN NICKEL
- Δ CONNECTOR MARKED WITH PART NUMBER AND DATE CODE.
- Δ DATUMS AND BASIC DIMENSIONS ESTABLISHED BY CUSTOMER.
- Δ THE TWO GROUNDS IN EACH COLUMN ARE COMMONED.
- 7. CONTACT AREA LUBRICATED WITH BELLCORE APPROVED LUBRICANT. TECHNICAL REFERENCE: GR-1217-CORE, ISSUE 1, NOVEMBER 1995.
- Δ REFER TO "CONTACT LAYOUT" CHART FOR SEQUENCING.



∅ 0.05 X Y  
ALL PLATED THRU HOLES

**CONTACT LAYOUT**

A = 3.20mm (DIM M)  
B = 5.30mm (DIM M)  
G = GROUND

**COLUMNS**

	10	9	8	7	6	5	4	3	2	1
<b>ROWS</b>										
A	A	A	A	A			A	A	A	A
B	A	A	A	A			A	A	A	A
BG	G	G	G	G			G	G	G	G
C	A	A	A	A			A	A	A	A
D	A	A	A	A			A	A	A	A
DG	G	G	G	G			G	G	G	G

1489054-1  
PART NUMBER

Tyco Electronics Tyco Electronics Harrisburg, PA 17105-1800	
PART NUMBER: 1489054-1 REV: 00 DATE: 01/11/2001 BY: TYPICAL CHECKED: TYPICAL APPROVED: TYPICAL	HEADLINE: HEADLINE TITLE: HEADLINE MATERIAL: HEADLINE FINISH: HEADLINE DIMENSIONS: HEADLINE WEIGHT: HEADLINE VOLUME: HEADLINE QUANTITY: HEADLINE UNIT: HEADLINE PACKAGE: HEADLINE DRAWING: HEADLINE SCALE: HEADLINE SHEET: HEADLINE TOTAL: HEADLINE

DATE: 01/11/2001  
BY: TYPICAL