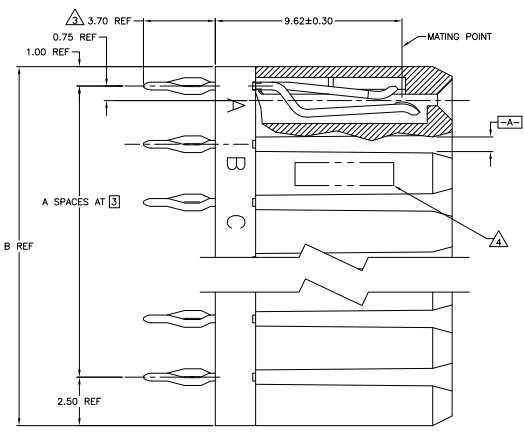
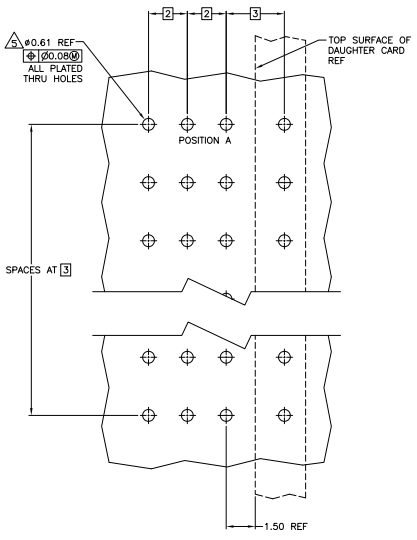
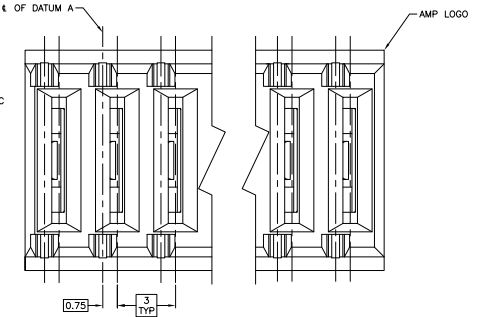
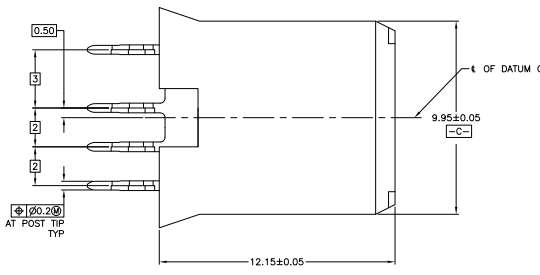
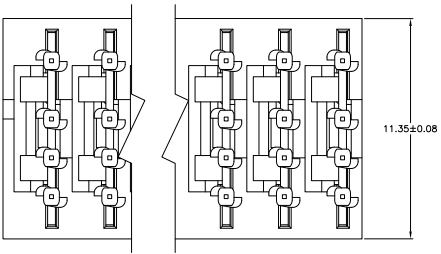


THIS DRAWING IS UNPUBLISHED
 ALL RIGHTS RESERVED

REV	DATE	DESCRIPTION	BY	CHK	APP
AD	00				
B1		REVISED PER EDD-11-004835	11MR11	RK	HMR

- ⚠ MATERIAL: HOUSING : POLYESTER, GRAY, UL 94V-0.
CONTACT: HIGH CURRENT COPPER ALLOY.
- ⚠ FINISH: CONTACT MATING AREA: 1.27µm MIN GOLD OR 0.08µm MIN GOLD OVER 0.76µm PALLADIUM-NICKEL.
ACTION PIN AREA: 0.5µm MIN MATTE TIN PLATE, ALL OVER 1.27µm MIN NICKEL UNDERPLATE.
- ⚠ TOLERANCE TO BE ±0.28 AFTER CONNECTOR IS APPLIED TO PC BOARD.
- ⚠ DATE CODE THIS APPROXIMATE AREA, OPPOSITE SIDE.
- ⚠ REFERENCE APPLICATION SPEC 114-1103 FOR RECOMMENDED PLATED THRU HOLE DIAMETER AND PLATING THICKNESS.
- 6. CURRENT RATING 16A/CONTACT PER PRODUCT SPEC 108-1651.
- ⚠ FINISH: CONTACT LUBRICATION WITH BELLCORE APPROVED LUBRICANT.
TECHNICAL REFERENCE: GR-1217-CORE ISSUE 1, NOVEMBER 1995.



RECOMMENDED PCB HOLE LAYOUT

12	36.5	11	120953-9
11	33.5	10	120953-8
10	30.5	9	120953-7
9	27.5	8	120953-6
8	24.5	7	120953-5
7	21.5	6	120953-4
6	18.5	5	120953-3
5	15.5	4	120953-2
4	12.5	3	120953-1

THIS DRAWING IS A CONTROLLED DOCUMENT. DATE CODE: 120953

TE Connectivity
 RECEPTACLE ASSEMBLY,
 UNIVERSAL POWER MODULE

SIZE: A1 DATE: 10-11-00 DRAWING NO: 00779 G=120953

CUSTOMER DRAWING