

4

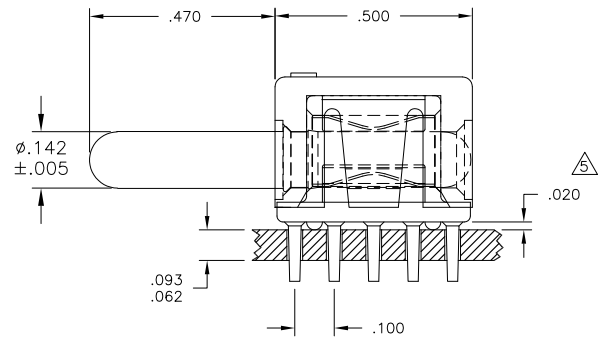
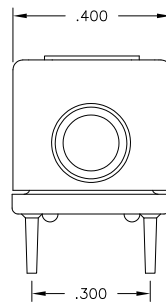
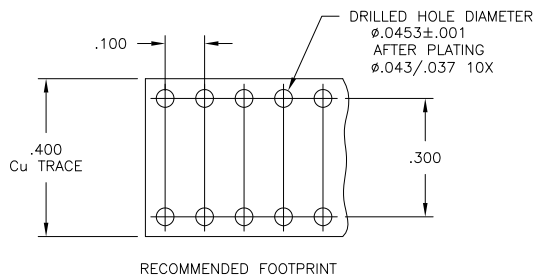
3

2

1

THIS DRAWING IS UNPUBLISHED. RELEASED FOR PUBLICATION  
 © COPYRIGHT - BY TYCO ELECTRONICS CORPORATION. ALL INTERNATIONAL RIGHTS RESERVED.

LOC	DIST	REVISIONS				
P	LTR	DESCRIPTION	DATE	DWN	APVD	
GP	00					
B		REV PER ECO-10-020184	11JAN2011	RG	NE	



⚠ A FIVE-POUND (5 lbs) FORCE REQUIRED TO CORRECTLY SEAT THE CONNECTOR WITH PLATED THROUGH HOLES LESS THAN  $\phi.040$  INCH.

## 4. FINISH:

INSULATOR - AS MOLDED, COLOR-BLACK.  
 MODULE - SILVER PLATED  
 CROWN - GOLD PLATED  
 CONTACT - SILVER PLATED

## 3. MATERIAL:

INSULATOR - POLYESTER, GLASS FILLED, UL 94 V-0  
 MODULE - METAL CASTING  
 CROWN - BECU  
 CONTACT - BRASS

2. ITEMS PROVIDED TO THIS SPECIFICATION SHALL BE IDENTIFIED ON CONTAINER WITH THE FOLLOWING INFORMATION: PART NUMBER AND DATE CODE OF MANUFACTURE.

1. PART NUMBER CHANGES AND/OR DESIGN CHANGES AFFECTING ITEM INTERCHANGEABILITY REQUIRE PRIOR TYCO APPROVAL AND AUTHORIZATION BY REVISION TO THIS DRAWING.

6643281-1  
 PART NUMBER

THIS DRAWING IS A CONTROLLED DOCUMENT.		DWN 11JAN2011 ALIM/GRZYBOWSKI	Tyco Electronics Corporation Harrisburg, PA 17105-3608															
DIMENSIONS: INCHES		CHK D. ORRIS	NAME CHAU/ORRIS															
<table border="1"> <thead> <tr> <th>TOLERANCES UNLESS OTHERWISE SPECIFIED:</th> <th></th> </tr> </thead> <tbody> <tr> <td>0 PLC</td> <td>± .</td> </tr> <tr> <td>1 PLC</td> <td>± .</td> </tr> <tr> <td>2 PLC</td> <td>± .02</td> </tr> <tr> <td>3 PLC</td> <td>± .010</td> </tr> <tr> <td>4 PLC</td> <td>± .</td> </tr> <tr> <td>ANGLES</td> <td>± .5</td> </tr> </tbody> </table>		TOLERANCES UNLESS OTHERWISE SPECIFIED:		0 PLC	± .	1 PLC	± .	2 PLC	± .02	3 PLC	± .010	4 PLC	± .	ANGLES	± .5	APVD 11JAN2011 CHAU/ORRIS	PRODUCT SPEC -	RESTRICTED TO -
TOLERANCES UNLESS OTHERWISE SPECIFIED:																		
0 PLC	± .																	
1 PLC	± .																	
2 PLC	± .02																	
3 PLC	± .010																	
4 PLC	± .																	
ANGLES	± .5																	
MATERIAL -	FINISH -	APPLICATION SPEC -	WEIGHT -	SIZE CAGE CODE DRAWING NO A3 00779 C-6643281														
CUSTOMER DRAWING			SCALE 4:1	SHEET 1 OF 1 REV B														