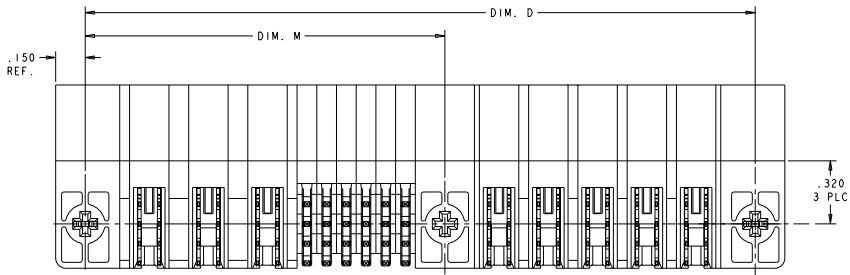
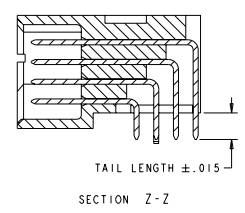
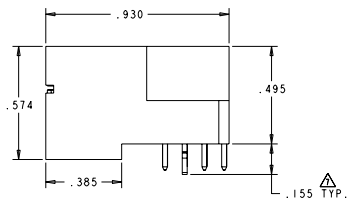
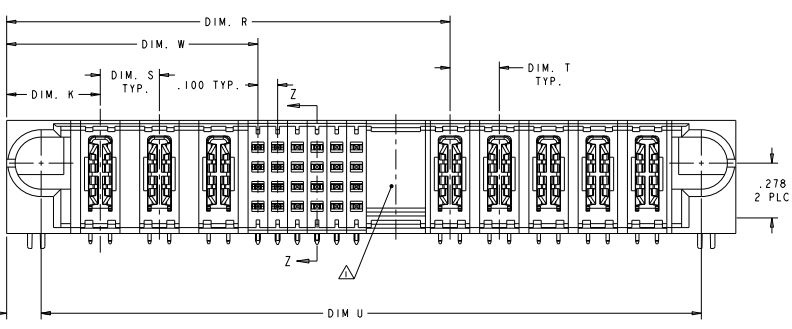
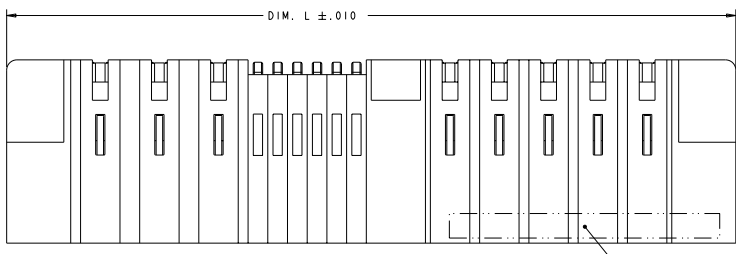


DATE SUBMITTED TO MANUFACTURE: RECEIVED FOR FABRICATION
 BY THIS ELECTRONICS CORPORATION. ALL RIGHTS RESERVED.

REVISED		REVISIONS		
REV	DATE	DESCRIPTION	BY	CHK
L2		REV PER ECR-10-010293	1/20/2010	AL SF
L3		REV PER ECR-10-012886	1/20/2010	AL SF
L4		REV PER ECR-10-022094	1/20/2010	AT JMC



TITLE: RIGHT ANGLE HEADER ASSEMBLY W/GUIDES MULTI-BEAM XL PART NO: 00778 ©-6450130 CUSTOMER DRAWING		DATE: 00778 DRAWN BY: JMC CHECKED BY: AL SF APPROVED BY: JMC		TYP. ELECTRONICS CORPORATION Sausalito, P.O. Box 200230	
---	--	---	--	--	--

APP. 0001 REV. 01/20/2010
 PROFESSIONAL ENGINEER DRAWING

REV	ES	DATE	DESCRIPTION	BY	CHK	APP
00			SEE SHEET 1			

- △ OPTIONAL CENTER MODULE WITH Ø.150 THRU HOLE OR HOLD DOWN FEATURE.
- △ "AMP", PART NUMBER, AND DATE CODE TO BE MARKED IN AREA SHOWN.
- △ MATERIAL: HOUSING - GLASS FILLED HIGH TEMP THERMO PLASTIC, UL94 V-0
SIGNAL CONTACT - COPPER ALLOY
POWER CONTACT - HIGH CONDUCTIVITY COPPER ALLOY
- △ CONTACT PLATING: SIGNAL CONTACTS - .000050 MIN Ni UNDER ALL, .000030 MIN Au ON CONTACT AREA, .000100 MIN Sn AT PCB INTERFACE.
POWER CONTACTS - .000050 MIN Ni UNDER ALL, .000030 MIN Au ON CONTACT AREA, .000100 MIN Sn AT PCB INTERFACE.
- △ MECHANICAL CONNECTOR KEEP OUT ZONE.
- △ DATUM AND BASIC DIMENSIONS ESTABLISHED BY CUSTOMER.
- △ HOLD DOWN SEATING DEPTH DIMENSION FOR 6450130-4 IS .185 TYP
- △ PCB - ALL HOLE DIAMETERS ARE FINISHED HOLE SIZES.
- △ PCB - .0453 +/- .0010 DRILLED HOLES PLATES WITH .0003 MIN Sn OVER .001 TO .003 Cu PLATING TO ACHIEVE A .040±.003 DIA HOLE.
- △ VARIABLE DIMS. SHOWN ON VIEW

DIM U	DIM S	DIM T	DIM R	DIM W	DIM D	DIM M	DIM L	DIM K	DESCRIPTION	PART NUMBER
2.350	.250	.250	1.250	.875	2.400	-	2.700	.450	2P + 12S + 5P	9-6450130-2
2.400	.250	.250	1.800	1.125	2.450	-	2.750	.450	3P + 24S + 3P	9-6450130-0
1.200	-	-	1.100	.625	1.250	-	1.550	.450	1P + 16S + 1P	8-6450130-9
1.900	.250	.250	1.550	.875	1.950	-	2.250	.450	2P + 24S + 2P	8-6450130-8
2.900	.250	.250	2.550	.875	2.950	-	3.250	.450	2P + 64S + 2P	8-6450130-7
2.400	.250	.250	1.800	1.125	2.450	-	2.750	.450	3P + 24S + 3P	8-6450130-6
1.300	-	-	1.200	.675	1.350	-	1.650	.450	1P + 16S + 1P	8-6450130-5
2.800	.250	.250	1.700	1.125	2.850	-	3.150	.450	3P + 20S + 5P	8-6450130-4
2.800	.250	.300	2.075	1.375	2.850	-	3.150	.450	4P + 24S + 3ACP	8-6450130-2
2.850	.250	.250	2.500	1.875	2.900	-	3.200	.450	6P + 20S + 2P	8-6450130-0
2.600	.250	.250	2.250	1.625	2.650	-	2.950	.450	5P + 20S + 2P	7-6450130-9
2.400	.250	.250	1.800	1.125	2.450	-	2.750	.450	3P + 24S + 3P	7-6450130-8
4.800	.250	.250	3.450	1.875	4.850	-	5.150	.450	6P + 60S + 6P	7-6450130-7
3.050	.300	.250	1.950	1.275	3.100	-	3.400	.475	3ACP + 24S + 5P	7-6450130-6
2.400	.250	.250	1.800	1.125	2.450	-	2.750	.450	3P + 24S + 3P	7-6450130-5
6.250	.250	.250	5.050	4.375	6.300	-	6.600	.450	16P + 24S + 2P + 3ACP	7-6450130-4
2.500	.250	.250	2.150	.875	2.550	-	2.850	.450	2P + 48S + 2P	6-6450130-9
1.900	.250	.250	1.550	.875	1.950	-	2.250	.450	2P + 24S + 2P	6-6450130-7
2.500	.250	.250	2.150	1.425	2.550	-	2.850	.450	4P + 24S + 2P	5-6450130-8
6.330	.200	.200	3.925	3.275	6.350	-	6.650	.425	14P + 24S + 12P	5-6450130-6
3.100	.200	.200	2.225	1.375	3.150	-	3.450	.425	5P + 32S + 5P	5-6450130-5
2.300	.300	.250	1.950	1.275	2.350	-	2.650	.450	3ACP + 24S + 2P	5-6450130-1
4.000	.300	.300	2.675	1.925	4.050	-	4.350	.475	5ACP + 24S + 5ACP	5-6450130-0
3.000	.250	.250	2.150	1.425	3.050	-	3.350	.450	4P + 24S + 4P	4-6450130-9
3.300	.250	.250	2.450	1.375	3.350	-	3.650	.450	4P + 40S + 4P	4-6450130-8
3.100	.200	.200	2.225	1.375	3.150	-	3.450	.425	5P + 32S + 5P	4-6450130-5
2.100	.300	.250	1.750	1.275	2.150	-	2.450	.475	3ACP + 16S + 2P	4-6450130-3
1.900	.250	.250	1.550	.875	1.950	-	2.250	.450	2P + 24S + 2P	4-6450130-2
2.100	.200	.200	1.425	1.175	2.150	-	2.450	.425	4P + 8S + 4P	4-6450130-0
2.100	.300	.250	1.750	1.275	2.150	-	2.450	.475	3ACP + 16S + 2P	3-6450130-9
4.675	.250	.300	3.950	3.375	4.725	-	5.025	.450	12P + 20S + 3ACP	3-6450130-6
3.500	.250	.250	2.900	1.625	3.550	-	3.850	.450	5P + 48S + 3P	3-6450130-2
1.900	.250	.250	1.550	.875	1.950	-	2.250	.450	2P + 24S + 2P	2-6450130-9
3.250	.250	.250	2.900	1.125	3.300	-	3.600	.450	3P + 68S + 2P	2-6450130-8
2.300	.300	.250	1.950	1.275	2.350	-	2.650	.475	3ACP + 24S + 2P	2-6450130-6
2.600	.200	.200	1.925	1.175	2.650	-	2.950	.425	4HDP + 28S + 4HDP	2-6450130-4
3.200	.200	.200	2.125	1.575	3.250	-	3.550	.425	6P + 20S + 6P	2-6450130-3
2.800	.250	.300	2.075	1.375	2.850	-	3.150	.450	4P + 24S + 3ACP	2-6450130-2
3.500	.200	.200	2.225	1.775	3.550	-	3.850	.425	7P + 16S + 7P	2-6450130-1
5.450	.250	.250	3.075	2.425	5.500	-	5.800	.425	10P + 24S + 12P	2-6450130-0
4.400	.250	.250	4.050	.875	4.450	-	4.750	.450	2P + 124S + 2P	1-6450130-9
4.275	.250	.250	3.175	2.500	4.325	-	4.625	.475	2ACP + 6P + 24S + 5P	1-6450130-8
1.900	.250	.250	1.550	.875	1.950	-	2.250	.450	2P + 24S + 2P	1-6450130-7
3.300	.300	.250	1.950	1.275	3.350	-	3.650	.475	3ACP + 24S + 6P	1-6450130-4
4.050	.250	-	3.950	.875	4.100	-	4.400	.450	2P + 120S + 1P	1-6450130-3
3.250	.250	-	3.150	.875	3.300	-	3.600	.450	2P + 88S + 1P	1-6450130-2
1.400	-	-	1.300	.625	1.450	-	1.750	.450	1P + 24S + 1P	1-6450130-1
2.900	.250	.250	2.550	.875	2.950	-	3.250	.450	2P + 64S + 2P	1-6450130-0
2.550	.250	.300	1.825	1.125	2.600	-	2.900	.450	3P + 24S + 3ACP	6450130-9
2.675	.200	.200	2.375	1.650	2.725	-	3.025	.450	5P + 24S + 2P	6450130-8
3.650	.250	.250	2.550	1.875	3.700	-	4.000	.450	6P + 24S + 5P	6450130-7
2.400	.250	.250	1.800	1.125	2.450	-	2.750	.450	3P + 24S + 3P	6450130-6
4.350	.250	.250	3.500	2.625	4.400	-	4.700	.450	9P + 32S + 4P	6450130-5
2.800	.250	.300	2.075	1.375	2.850	-	3.150	.450	4P + 24S + 3ACP	6450130-4
3.050	.300	.250	1.950	1.275	3.100	-	3.400	.475	3ACP + 24S + 5P	6450130-3
2.550	.300	.250	2.200	1.525	2.600	-	2.900	.475	3ACP + 1P + 24S + 2P	6450130-2
3.650	.300	.250	2.550	1.275	3.700	-	4.000	.475	3ACP + 48S + 5P	6450130-1

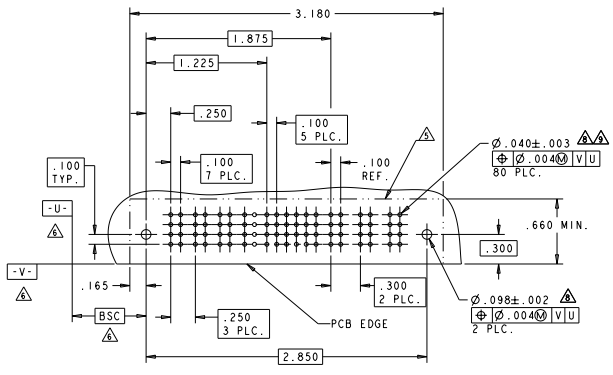
DIM U	DIM S	DIM T	DIM R	DIM W	DIM D	DIM M	DIM L	DIM K	DESCRIPTION	PART NUMBER
1.300	-	-	1.200	.625	1.350	-	1.650	.450	1P + 20S + 1P	9-6450130-6
2.300	.250	.300	1.575	.875	2.350	-	2.650	.450	2P + 24S + 3ACP	9-6450130-5
2.800	.250	.300	2.075	1.375	2.850	-	3.150	.450	4P + 24S + 3ACP	9-6450130-4
1.700	.250	.250	1.350	.875	1.750	-	2.050	.450	2P + 16S + 2P	9-6450130-3

DIMENSIONS IN INCHES DIMENSIONS IN MILLIMETERS DIMENSIONS IN METERS	TYPICAL TOLERANCES FRACTIONS DECIMALS ANGLES HOLE LOCATIONS HOLE DIAMETERS HOLE DEPTHS HOLE SPACINGS HOLE OFFSETS HOLE DRILLING HOLE FINISHES	TYPICAL TOLERANCES FRACTIONS DECIMALS ANGLES HOLE LOCATIONS HOLE DIAMETERS HOLE DEPTHS HOLE SPACINGS HOLE OFFSETS HOLE DRILLING HOLE FINISHES	TYPICAL TOLERANCES FRACTIONS DECIMALS ANGLES HOLE LOCATIONS HOLE DIAMETERS HOLE DEPTHS HOLE SPACINGS HOLE OFFSETS HOLE DRILLING HOLE FINISHES
---	---	---	---

TITLE: RIGHT ANGLE HEADER ASSEMBLY W/GUIDES MULTI-BEAM XL
 DATE: 00778
 CUSTOMER DRAWING: 6450130

PART NUMBER	ROWS	POWER				SIGNAL						POWER			
		P1	P2	P3	P4	1	2	3	4	5	6	P5	P6	P7	
6450130-4	D C B A	PM	PM	PM	PM	J	J	J	J	J	J	J	PM	PM	PM
						N	N	N	N	N	N	N			
						S	S	S	S	S	S	S			

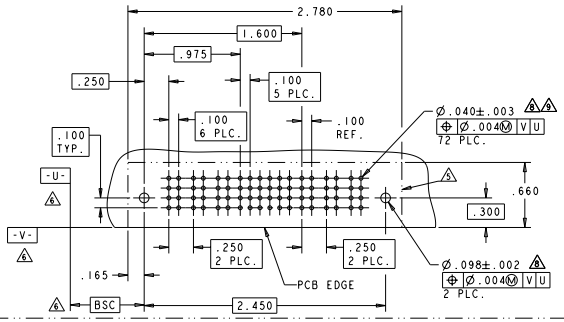
4P + 24S + 3ACP



REV	ES	DESCRIPTION	DATE	BY
00		SEE SHEET 1		

PART NUMBER	ROWS	POWER			SIGNAL						POWER			
		P1	P2	P3	1	2	3	4	5	6	P4	P5	P6	
6450130-6	D C B A	PM	PM	PM	J	J	J	J	J	J	J	PM	PM	PM
					N	N	N	N	N	N	N			
					S	S	S	S	S	S	S			

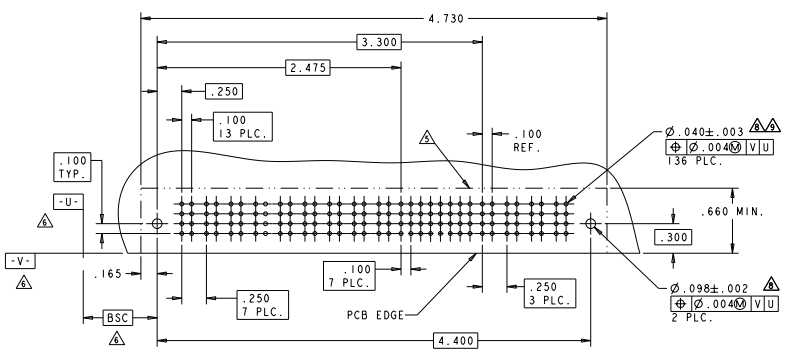
3P + 24S + 3P



NO CONTACT LOADED

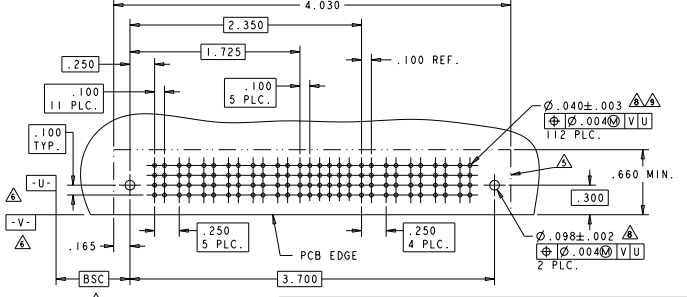
PART NUMBER	ROWS	POWER									SIGNAL								POWER			
		P1	P2	P3	P4	P5	P6	P7	P8	P9	1	2	3	4	5	6	7	8	P10	P11	P12	P13
6450130-5	D C B A	PM	PM	PM	PM	PM	PM	PM	PM	PM	J	J	J	J	J	J	J	J	PM	PM	PM	PM
											N	N	N	N	N	N	N	N				
											S	S	S	S	S	S	S					

9P + 32S + 4P



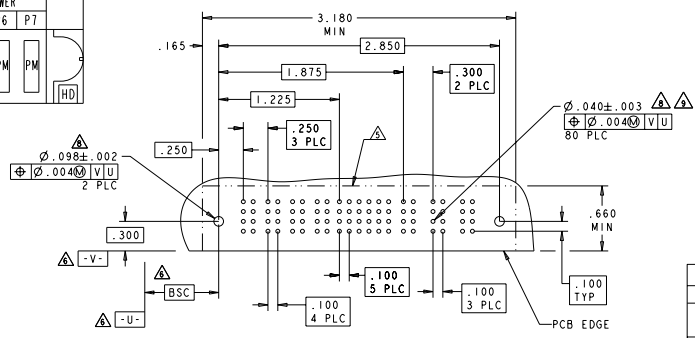
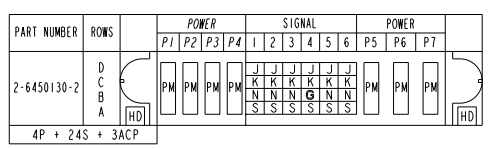
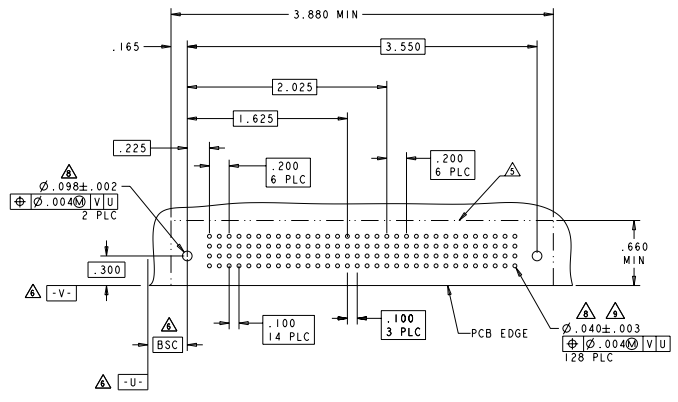
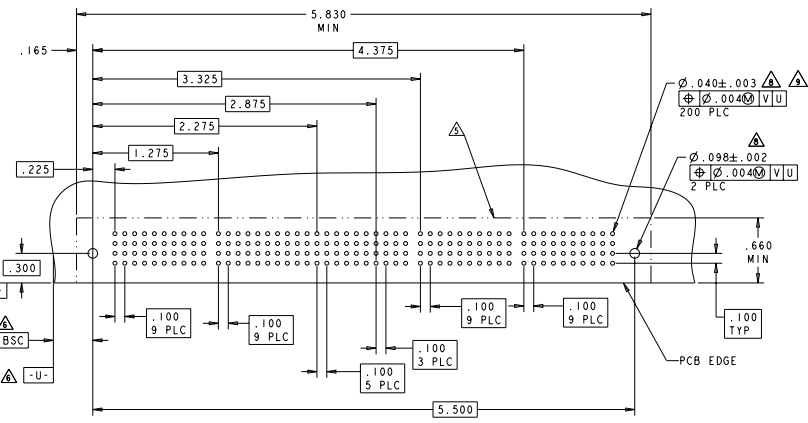
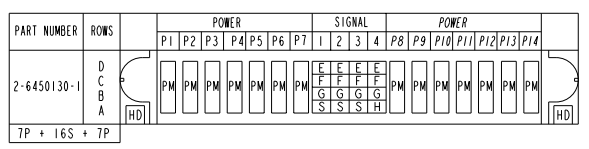
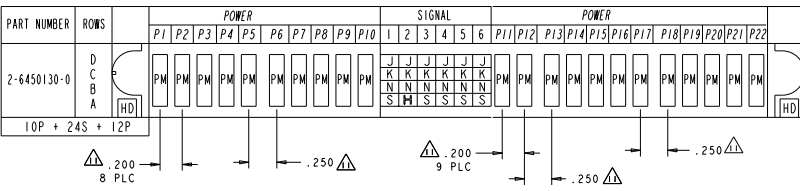
PART NUMBER	ROWS	POWER						SIGNAL						POWER				
		P1	P2	P3	P4	P5	P6	1	2	3	4	5	6	P7	P8	P9	P10	P11
6450130-7	D C B A	PM	PM	PM	PM	PM	PM	J	J	J	J	J	J	PM	PM	PM	PM	PM
								N	N	N	N	N	N					
								S	S	S	S	S	S					

6P + 24S + 5P



DIMENSIONS: INCHES TOLERANCES: DECIMALS FINISH: PLATING MATERIAL:	PART NUMBER: 6450130-7 REV: 1 DATE: 11-6-13 CUSTOMER:	DRAWN BY: [Name] CHECKED BY: [Name] APPROVED BY: [Name]	TITLE: RIGHT ANGLE HEADER ASSEMBLY W/GUIDES MULTI-BEAM XL PART NUMBER: 6450130 REV: 1 DATE: 11-6-13 CUSTOMER:	SHEET: 4 OF 4 SCALE: 1:1
--	--	---	---	-----------------------------

REV	DATE	DESCRIPTION	BY	CHK	APP
ES	00	SEE SHEET 1			



DIMENSIONS		UNITS		TOLERANCES		MATERIALS		FINISHES		MARKINGS		TESTS	
INCHES	MILLIMETERS	PLC	PLC	PLC	PLC	PLC	PLC	PLC	PLC	PLC	PLC	PLC	PLC
TFC ELECTRONICS CORPORATION 108-1813 114-13038 00778 ©-6450130												RIGHT ANGLE HEADER ASSEMBLY W/GUIDES MULTI-BEAM XL	
STATE CASE CODE (SEE SHEET 1) CUSTOMER DRAWING												SHEET 8 OF 24	

REV	DATE	REVISIONS	BY	CHK	APP
ES	00				
		DESCRIPTION			
		SEE SHEET 1			

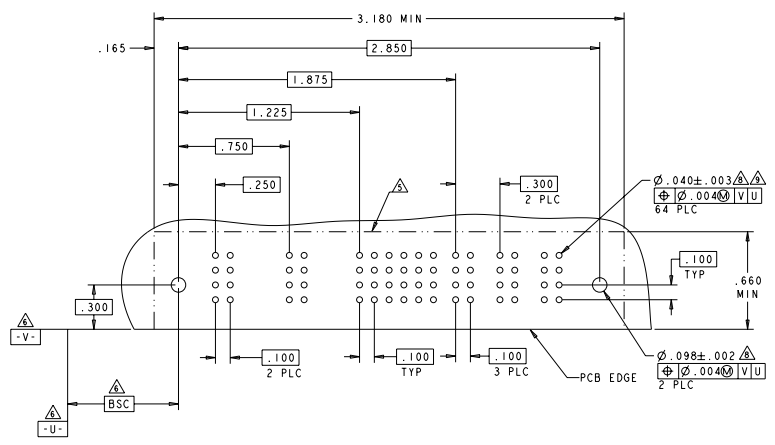
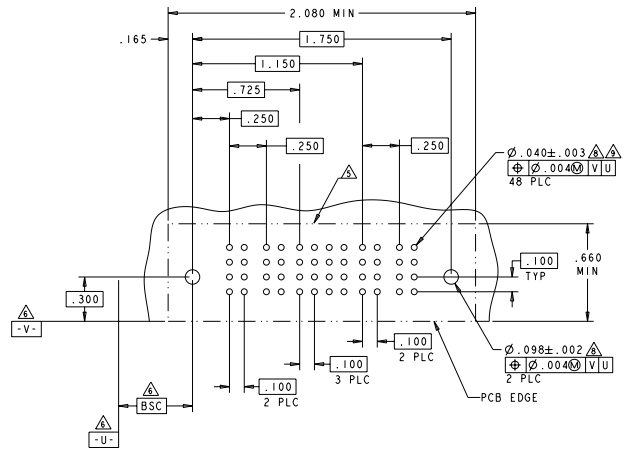
(K5)

PART NUMBER	ROWS	POWER		SIGNAL				POWER	
		P1	P2	1	2	3	4	P3	P4
9-6450130-3	D C B A	PM	PM	J	J	J	J	PM	PM
				K	K	K	K		
				N	N	N	N		
				S	S	S	S		
		2P + 16S + 2P							

(K6)

PART NUMBER	ROWS	POWER				SIGNAL						POWER			
		P1	P2	P3	P4	1	2	3	4	5	6	P5	P6	P7	
9-6450130-4	D C B A	PM	PM			J	J	J	J	J	J	J	J	J	J
						K	K	K	K	K	K	K	K	K	
						N	N	N	N	N	N	N	N	N	
						S	S	S	S	S	S	S	S	S	
		4P + 24S + 3ACP													

NO CONTACT LOADED

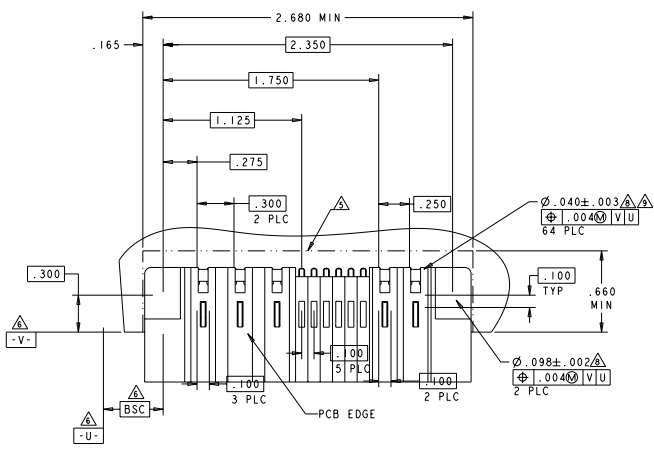


TYPE: 9-6450130-3 INCHES: .001 MATERIAL:		QUANTITY: 1000 DATE: 11-6-1988 PRICE:		PART NUMBER: 9-6450130-3 MANUFACTURER: TYP CUSTOMER DRAWING:		TYPE: 9-6450130-4 INCHES: .001 MATERIAL:		QUANTITY: 1000 DATE: 11-6-1988 PRICE:		PART NUMBER: 9-6450130-4 MANUFACTURER: TYP CUSTOMER DRAWING:	
TITLE: RIGHT ANGLE HEADER ASSEMBLY W/GUIDES MULTI-BEAM XL SCALE: 1:1 SHEET: 19 OF 24				DATE: 11-6-1988 BY: 00778 CHECK:				DATE: 11-6-1988 BY: 00778 CHECK:			

REV	DATE	REVISIONS	BY	CHK	APP
ES	00				
		SEE SHEET 1			

PART NUMBER	ROWS	POWER			SIGNAL						POWER	
		P1	P2	P3	1	2	3	4	5	6	P4	P5
2-6450130-6	D				J	J	J	J	J	J		
	C				K	K	K	K	K	K		
	B				N	N	N	N	N	N		
	A	ND			S	S	S	S	S	S	ND	

3ACP + 24S + 2P

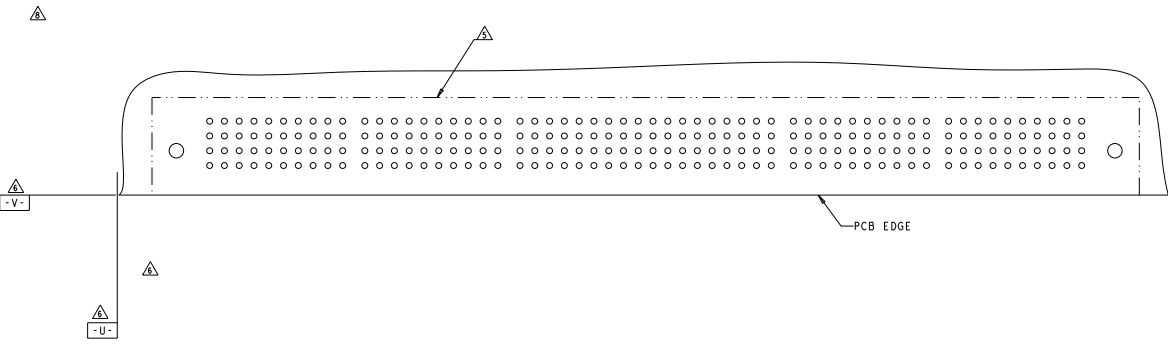


DIMENSIONS IN INCHES UNLESS OTHERWISE SPECIFIED		DATE: 02/04/2024 BY: J. FLECHNER		TECH ELECTRONICS CORPORATION Sausalito, P.O. Box 200230	
PART NUMBER: 2-6450130-6 TITLE: RIGHT ANGLE HEADER ASSEMBLY W/GUIDES MULTI-BEAM XL		DRAWN BY: J. FLECHNER CHECKED BY: J. FLECHNER		STATE: CALIFORNIA COUNTY: SAN FRANCISCO	
MATERIAL:		QUANTITY: 1000		PART NUMBER: 2-6450130	
FINISH:		PRICE:		REVISION: A	
CUSTOMER DRAWING		DATE: 02/04/2024		SHEET: 1 OF 4	

REV	DATE	REVISIONS	BY	CHK	APP
ES	00				
		DESCRIPTION			
		SEE SHEET 1			

PART NUMBER	ROWS	POWER														SIGNAL					POWER													
		P1	P2	P3	P4	P5	P6	P7	P8	P9	P10	P11	P12	P13	P14	1	2	3	4	5	6	P15	P16	P17	P18	P19	P20	P21	P22	P23	P24	P25	P26	
5-6450130-6	D C B A	PM	PM	PM	PM	PM	PM	PM	PM	PM	PM	PM	PM	PM	J	J	J	J	J	J	PM	PM	PM	PM	PM	PM	PM	PM	PM	PM	PM	PM		
		(HD)													S	H	S	S	S	S													(HD)	
		14P + 24S + 12P																																

(L2)

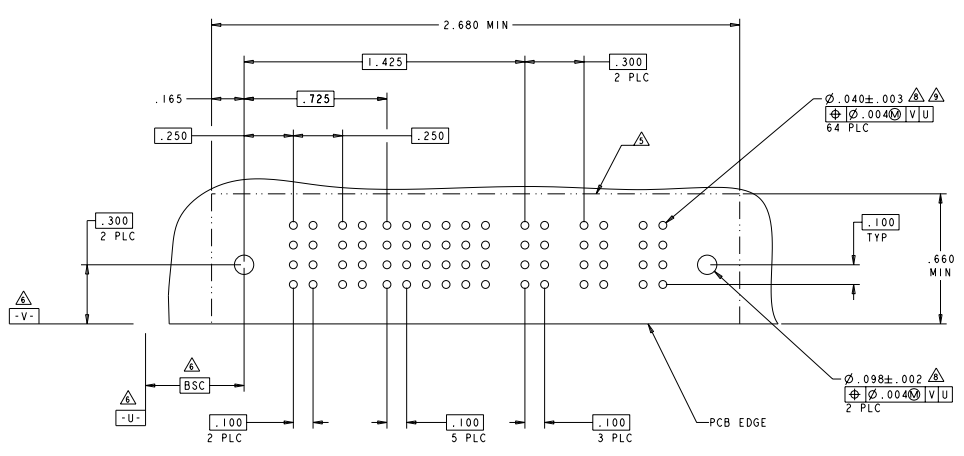


TYPICAL DIMENSIONS IN INCHES AND MILLIMETERS DIMENSIONS IN MILLIMETERS DIMENSIONS IN INCHES		24 LAYERS 24 LAYERS 24 LAYERS		TYLE ELECTRONICS CORPORATION 10000 W. BUCKINGHAM SUITE 100 114-1313 114-1303B 00778 ©=6450130		TYLE ELECTRONICS CORPORATION 10000 W. BUCKINGHAM SUITE 100 114-1313 114-1303B 00778 ©=6450130	
RIGHT ANGLE HEADER ASSEMBLY W/GUIDES MULTI-BEAM XL				SCALE CODE DRAWING NO A 00778 ©=6450130		SHEET NO 21 OF 24	
CUSTOMER DRAWING				DATE 11/21/24		DRAWN BY 4	

REV	DATE	DESCRIPTION	BY	CHK	APP
ES	00	SEE SHEET 1			

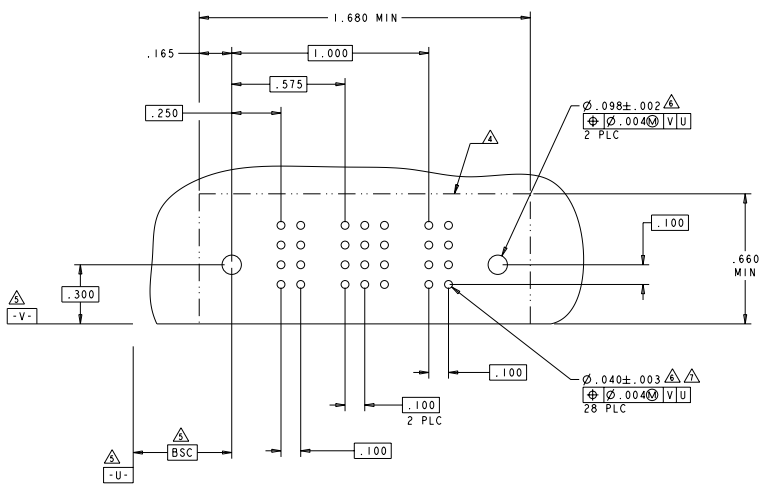
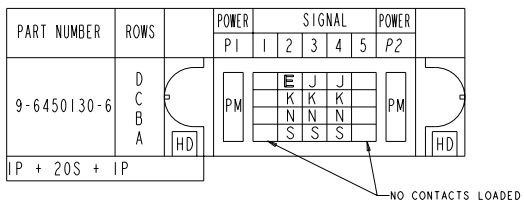
PART NUMBER	ROWS	POWER		SIGNAL						POWER		
		P1	P2	1	2	3	4	5	6	P3	P4	P5
9-6450130-5	D C B A	PM	PM	J	J	E	J	J	J	PM	PM	PM
				K	K	K	K	K	K			
				N	N	G	N	N	N			
				S	S	S	S	S	S			

2P + 24S + 3ACP



DIMENSIONS: INCHES TOLERANCES: DECIMALS FINISH: PLATED REF: 100-1913 SPECIFICATION: 116-13038	PART NUMBER: 9-6450130-5 TITLE: RIGHT ANGLE HEADER ASSEMBLY W/GUIDES MULTI-BEAM XL SCALE: 1:1 SHEET: 22 OF 24	CUSTOMER DRAWING: 00778 DATE: 08/24/2016 DRAWN BY: [Name] CHECKED BY: [Name]	PCB ELECTRONICS CORPORATION 116-13038 00778 ©-6450130 SHEET 22 OF 24
---	--	---	---

REV	DATE	REVISIONS	BY	CHK	APP
ES	00				
		SEE SHEET 1			



DRAWING INFORMATION		CUSTOMER INFORMATION		REVISIONS	
DATE	00/00/00	REV	00	REV	00
BY	00/00/00	REV	00	REV	00
CHK	00/00/00	REV	00	REV	00
APP	00/00/00	REV	00	REV	00
DATE	00/00/00	REV	00	REV	00
BY	00/00/00	REV	00	REV	00
CHK	00/00/00	REV	00	REV	00
APP	00/00/00	REV	00	REV	00
DATE	00/00/00	REV	00	REV	00
BY	00/00/00	REV	00	REV	00
CHK	00/00/00	REV	00	REV	00
APP	00/00/00	REV	00	REV	00

