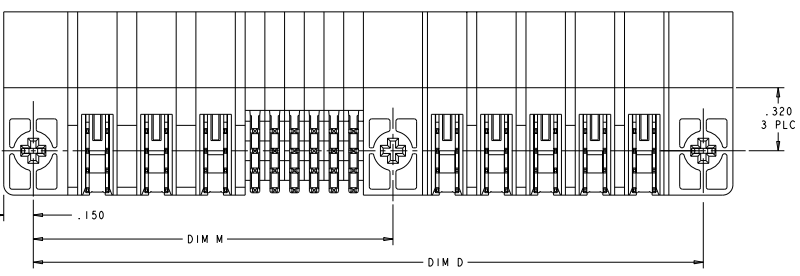
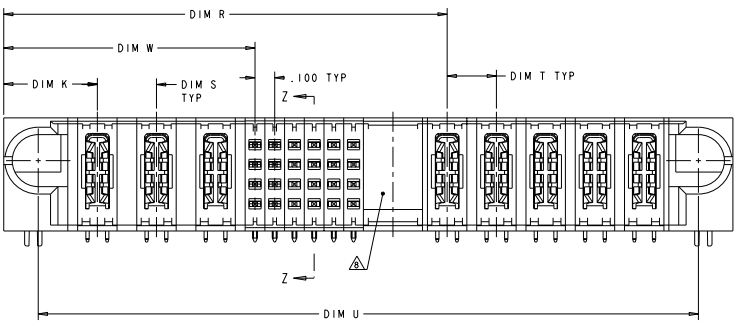
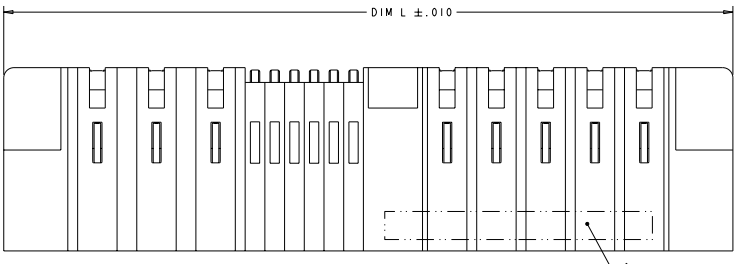
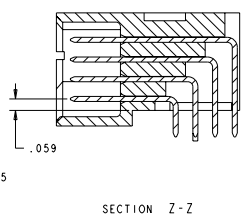
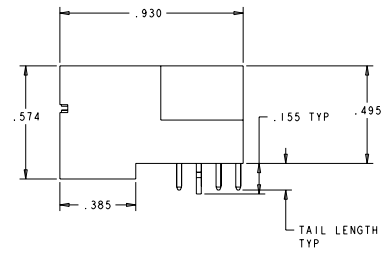


| REV | DATE | DESCRIPTION | BY | CHK | APP |
|-----|----------------------------|-------------|----|-----|-----|
| J1 | REV PER ECR-10-013182 | | JL | DL | SL |
| J2 | ADDED NEW DASH NUMBER -55. | | JL | DL | SL |
| K | REV PER ECR-10-024114 | | JL | DL | SL |



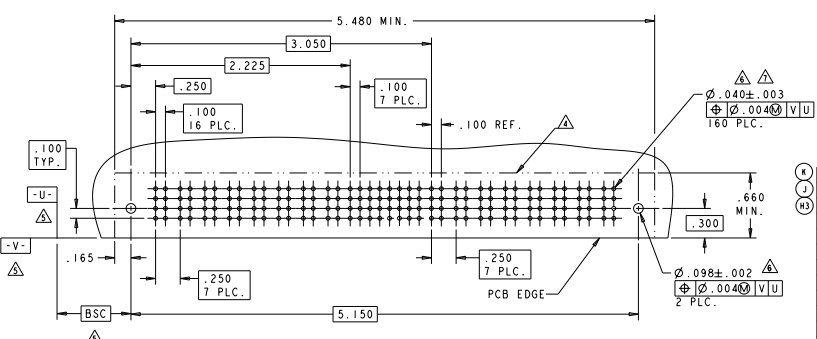
- △ "AMP", PART NUMBER, AND DATE CODE TO BE MARKED IN AREA SHOWN.
- △ MATERIAL: HOUSING - GLASS FILLED HIGH TEMP THERMO PLASTIC, UL94 V-0
 SIGNAL CONTACT - COPPER ALLOY
 POWER CONTACT - HIGH CONDUCTIVITY COPPER ALLOY
- △ CONTACT PLATING: SIGNAL CONTACTS - $.000050$ MIN Ni UNDER ALL.
 $.000030$ MIN Au ON CONTACT AREA.
 POWER CONTACTS - $.000050$ MIN Ni UNDER ALL.
 $.000030$ MIN Au ON CONTACT AREA.
 $.000100$ MIN Sn AT PCB INTERFACE.
- △ MECHANICAL CONNECTOR KEEP OUT ZONE.
- △ DATUM AND BASIC DIMENSIONS ESTABLISHED BY CUSTOMER.
- △ PCB - ALL HOLE DIAMETERS ARE FINISHED HOLE SIZES.
- △ PCB - $.0453 \pm .0010$ DRILLED HOLES PLATES WITH $.0003$ MIN Sn OVER $.001$ TO $.003$ PLATING TO ACHIEVE A $.040$ DIA. HOLE.
- △ OPTIONAL CENTER MODULE WITH $\phi .150$ THRU HOLE OR HOLD DOWN FEATURE.



| | | | | | | | |
|---|--|--|--|--|--|--|--|
| TYPE: 100% FULLY AUTOMATICALLY TESTED DIMENSIONS: INCHES TOLERANCES: AS SHOWN FINISH: AS SHOWN MATERIAL: AS SHOWN | | ALL DIMENSIONS UNLESS OTHERWISE SPECIFIED DIMENSIONS: DECIMALS DECIMALS: 0.0005 FRACTIONS: 1/16, 1/32, 1/64 HOLE DIA: .0005 HOLE DIA: .0010 HOLE DIA: .0015 HOLE DIA: .0020 HOLE DIA: .0025 HOLE DIA: .0030 HOLE DIA: .0035 HOLE DIA: .0040 HOLE DIA: .0045 HOLE DIA: .0050 HOLE DIA: .0055 HOLE DIA: .0060 HOLE DIA: .0065 HOLE DIA: .0070 HOLE DIA: .0075 HOLE DIA: .0080 HOLE DIA: .0085 HOLE DIA: .0090 HOLE DIA: .0095 HOLE DIA: .0100 | | DATE: 10-13-82 DRAWN BY: J.L. CHECKED BY: D.L. APPROVED BY: S.L. CUSTOMER DRAWING: A | | TYPE ELECTRONICS CORPORATION SCHAFFER, P.O. BOX 200230 MILWAUKEE, WISCONSIN 53220 TELEPHONE: 414-353-3333 TELEFAX: 414-353-3333 FAX: 414-353-3333 | |
|---|--|--|--|--|--|--|--|

| REV | DESCRIPTION | DATE | BY | CHK |
|-----|-------------|------|----|-----|
| 00 | SEE SHEET 1 | | | |

| PART NUMBER | ROWS | POWER | | | | | | | SIGNAL | | | | | | | POWER | | | | | | | | |
|---------------|------------------|-------|----|----|----|----|----|----|--------|---|---|---|---|---|---|-------|------|-----|-----|-----|-----|-----|-----|------|
| | | P1 | P2 | P3 | P4 | P5 | P6 | P7 | 1 | 2 | 3 | 4 | 5 | 6 | 7 | 8 | P9 | P10 | P11 | P12 | P13 | P14 | P15 | P16 |
| 6450120-1 | D C B A | PM | PM | PM | PM | PM | PM | PM | K | K | K | K | K | K | K | K | PM | PM | PM | PM | PM | PM | PM | PM |
| 8P + 32S + 8P | (HD) | (HD) | | | | | | | S | S | S | S | S | S | S | S | (HD) | | | | | | | (HD) |



| | | | | | | | | | | |
|-------|------|------|-------|-------|-------|-------|-------|------|----------------------|-------------|
| 3.250 | .300 | .250 | 2.525 | 2.175 | 3.300 | - | 3.600 | .450 | 7P + 8S + 3ACP | 5-6450120-5 |
| 2.400 | .250 | .250 | 1.550 | .875 | 2.450 | - | 2.750 | .450 | 2P + 24S + 4P | 5-6450120-3 |
| 5.400 | .300 | .300 | 2.875 | 2.175 | 5.450 | - | 5.750 | .475 | 6P + 24S + 9P | 5-6450120-2 |
| 3.800 | .250 | .300 | 1.875 | 1.375 | 3.850 | - | 4.150 | .450 | 4P + 16S + 3ACP | 5-6450120-0 |
| 1.600 | .250 | .250 | 1.250 | .875 | 1.650 | - | 1.950 | .450 | 2P + 12S + 2P | 4-6450120-9 |
| 2.900 | .250 | .250 | 2.050 | 1.375 | 2.950 | - | 3.250 | .450 | 4P + 24S + 4P | 4-6450120-8 |
| 1.900 | .250 | .250 | 1.550 | 0.875 | 1.950 | - | 2.250 | .450 | 2P + 24S + 2P | 4-6450120-7 |
| 2.000 | .250 | .250 | 1.400 | 1.125 | 2.050 | - | 2.350 | .450 | 3P + 8S + 3P | 4-6450120-6 |
| 2.000 | .250 | .250 | 3.550 | 2.875 | 5.950 | - | 6.250 | .450 | 10P + 24S + 10P | 4-6450120-5 |
| 3.700 | .200 | .300 | 2.700 | 2.025 | 3.750 | - | 4.050 | .450 | 8P + 24S + 4ACP | 4-6450120-4 |
| 2.900 | .300 | .250 | 2.050 | 1.575 | 2.950 | - | 3.250 | .475 | 4ACP + 16S + 4P | 4-6450120-3 |
| 4.375 | .250 | .300 | 3.375 | 2.375 | 4.425 | 3.100 | 4.725 | .450 | 8P + 24S + 1M + 4ACP | 4-6450120-2 |
| 4.100 | .300 | .250 | 2.250 | 1.575 | 4.150 | - | 4.450 | .475 | 4ACP + 24S + 8P | 4-6450120-0 |
| 3.800 | .250 | .250 | 3.450 | .875 | 3.850 | - | 4.150 | .450 | 2P + 100S + 2P | 3-6450120-6 |
| 4.600 | .250 | .250 | 3.250 | 1.875 | 4.650 | - | 4.950 | .450 | 6P + 52S + 6P | 3-6450120-5 |
| 5.100 | .250 | .250 | 3.500 | 2.175 | 5.150 | - | 5.450 | .450 | 7P + 48S + 7P | 3-6450120-4 |
| 3.500 | .250 | .300 | 2.775 | 2.375 | 3.550 | - | 3.850 | .450 | 8P + 12S + 3ACP | 3-6450120-3 |
| 4.000 | .200 | .200 | 2.700 | 1.825 | 4.050 | - | 4.350 | .450 | 7HDP + 32S + 7HDP | 3-6450120-0 |
| 3.900 | .250 | .250 | 2.550 | 1.875 | 3.950 | - | 4.250 | .450 | 6P + 24S + 6P | 2-6450120-7 |
| 5.200 | .300 | .250 | 2.350 | 1.625 | 5.250 | - | 5.550 | .475 | 4ACP + 24S + 12P | 2-6450120-6 |
| 2.500 | .250 | .250 | 2.150 | 1.425 | 2.550 | - | 2.850 | .450 | 4P + 24S + 2P | 2-6450120-5 |
| 3.600 | .250 | .250 | 2.500 | 1.625 | 3.650 | - | 3.950 | .450 | 5P + 32S + 5P | 2-6450120-4 |
| 2.500 | .250 | .250 | 2.150 | .875 | 2.550 | - | 2.850 | .450 | 2P + 48S + 2P | 2-6450120-3 |
| 4.500 | .300 | .250 | 1.650 | .975 | 4.550 | - | 4.850 | .475 | 2ACP + 24S + 12P | 2-6450120-2 |
| 2.850 | .250 | .250 | 2.000 | 1.125 | 2.900 | - | 3.200 | .450 | 3P + 32S + 4P | 2-6450120-1 |
| 3.950 | .200 | .250 | 2.125 | 1.025 | 4.000 | - | 4.300 | .425 | 3P + 40S + 8P | 2-6450120-0 |
| 1.400 | - | - | 1.300 | .625 | 1.450 | - | 1.750 | .450 | 1P + 24S + 1P | 1-6450120-6 |
| 2.000 | .300 | .300 | 1.575 | .975 | 2.050 | - | 2.350 | .475 | 2P + 20S + 2P | 1-6450120-4 |
| 1.200 | - | - | 1.100 | .625 | 1.250 | - | 1.550 | .450 | 1P + 16S + 1P | 1-6450120-3 |
| 2.400 | .250 | .250 | 1.800 | 1.125 | 2.450 | - | 2.750 | .450 | 3P + 24S + 3P | 1-6450120-2 |
| 2.675 | .200 | .200 | 2.375 | 1.650 | 2.725 | - | 3.025 | .450 | 5P + 24S + 4P | 1-6450120-1 |
| 4.350 | .250 | .250 | 3.500 | 2.625 | 4.400 | - | 4.700 | .450 | 9P + 32S + 2P | 1-6450120-0 |
| 4.150 | .250 | .250 | 2.800 | 2.125 | 4.200 | - | 4.500 | .450 | 7P + 24S + 6P | 6450120-9 |
| 2.800 | .250 | .300 | 2.075 | 1.375 | 2.850 | - | 3.150 | .450 | 4P + 24S + 3ACP | 6450120-8 |
| 3.050 | .300 | .250 | 1.950 | 1.275 | 3.100 | - | 3.400 | .475 | 3ACP + 24S + 5P | 6450120-7 |
| 7.400 | .250 | .250 | 5.050 | 2.875 | 7.450 | - | 7.750 | .450 | 10P + 84S + 10P | 6450120-6 |
| 4.350 | .250 | .250 | 3.000 | 2.125 | 4.400 | - | 4.700 | .450 | 7P + 32S + 6P | 6450120-5 |
| 3.650 | .250 | .250 | 2.550 | 1.875 | 3.700 | - | 4.000 | .450 | 6P + 24S + 5P | 6450120-4 |
| 2.900 | .250 | .250 | 1.800 | 1.125 | 2.950 | - | 3.250 | .450 | 3P + 24S + 5P | 6450120-3 |
| 1.900 | .250 | .250 | 1.550 | 0.875 | 1.950 | - | 2.250 | .450 | 2P + 24S + 2P | 6450120-2 |
| 5.100 | .250 | .250 | 3.250 | 2.375 | 5.150 | - | 5.450 | .450 | 8P + 32S + 8P | 6450120-1 |

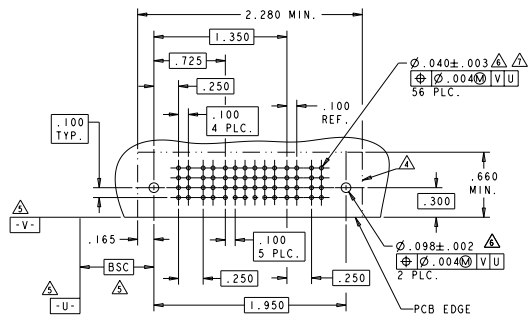
| U | S | T | R | W | D | M | L | K | DESCRIPTION | PART NUMBER |
|---|---|---|---|---|---|---|---|---|-------------|-------------|
| | | | | | | | | | | |

TSC ELECTRONICS CORPORATION
 108-1813
 116-13038
 00778
 CUSTOMER DRAWING
 TIGHT ANGLE HEADER W/GUIDES ASSEMBLY MULTI-BEAM XL
 DATE: 04/24/2018
 DRAWN BY: [Signature]
 CHECKED BY: [Signature]
 APPROVED BY: [Signature]

| REVISED | | REVISIONS | |
|---------|----|-------------|------|
| ES | 00 | DESCRIPTION | DATE |
| | | SEE SHEET 1 | |

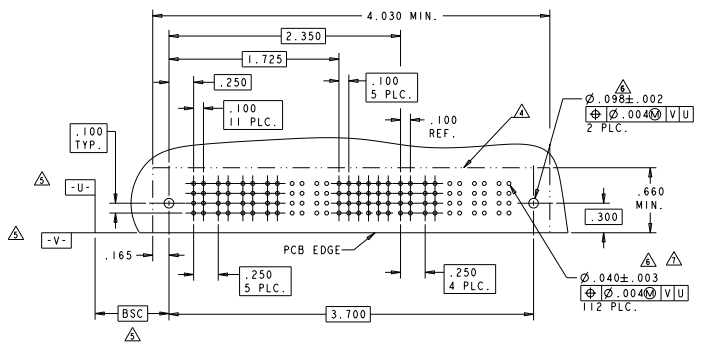
| PART NUMBER | ROWS | POWER | | SIGNAL | | | | | | POWER | | |
|-------------|------------------|-------|----|--------|---|---|---|---|---|-------|----|------|
| | | P1 | P2 | 1 | 2 | 3 | 4 | 5 | 6 | P3 | P4 | |
| 6450120-2 | D C B A | PM | PM | J | J | J | J | J | J | J | PM | PM |
| | | (HD) | | K | K | K | K | K | K | K | | (HD) |
| | | | | N | N | N | N | N | N | N | | |
| | | | | S | S | S | S | S | S | S | | |

2P + 24S + 2P



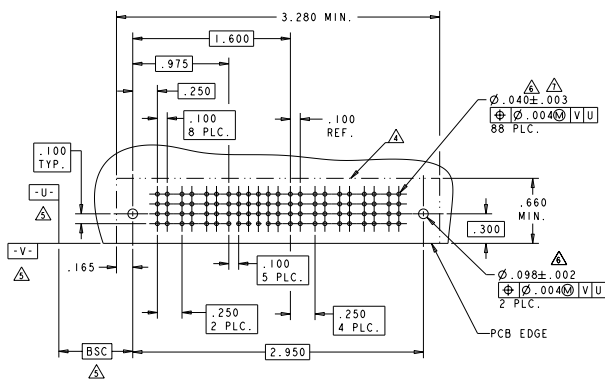
| PART NUMBER | ROWS | POWER | | | | | | SIGNAL | | | | | | POWER | | | | | | | |
|-------------|------------------|-------|----|----|----|----|----|--------|---|---|---|---|---|-------|----|----|-----|-----|----|----|----|
| | | P1 | P2 | P3 | P4 | P5 | P6 | 1 | 2 | 3 | 4 | 5 | 6 | P7 | P8 | P9 | P10 | P11 | | | |
| 6450120-4 | D C B A | PM | PM | PM | PM | PM | PM | J | J | J | J | J | J | J | J | J | J | PM | PM | PM | PM |
| | | (HD) | | | | | | K | K | K | K | K | K | K | K | K | K | | | | |
| | | | | | | | | N | N | N | N | N | N | N | N | N | N | | | | |
| | | | | | | | | S | S | S | S | S | S | S | S | S | S | | | | |

6P + 24S + 5P



| PART NUMBER | ROWS | POWER | | SIGNAL | | | | | | POWER | | | |
|-------------|------------------|-------|----|--------|---|---|---|---|---|-------|----|----|----|
| | | P1 | P2 | 1 | 2 | 3 | 4 | 5 | 6 | P4 | P5 | P6 | P7 |
| 6450120-3 | D C B A | PM | PM | J | J | J | J | J | J | J | PM | PM | PM |
| | | (HD) | | K | K | K | K | K | K | K | | | |
| | | | | N | N | N | N | N | N | N | | | |
| | | | | S | S | S | S | S | S | S | | | |

3P + 24S + 5P



| | | | |
|----|------|------|---|
| H | MLBF | .135 | A |
| E | MLBF | .135 | D |
| L4 | STD | .165 | D |
| L3 | STD | .165 | B |
| L2 | STD | .165 | C |
| L1 | STD | .165 | A |
| Z | STD | .090 | D |
| Y | STD | .090 | C |
| R | STD | .090 | B |
| O | STD | .090 | A |
| F | MLBF | .135 | C |
| G | MLBF | .135 | B |
| J | STD | .135 | D |
| K | STD | .135 | C |
| N | STD | .135 | B |
| S | STD | .135 | A |

| | |
|---------------|-------------|
| PD | .165 |
| PA | .090 |
| PM | .135 |
| CODE | TAIL LENGTH |
| POWER CONTACT | |

| | | | |
|--|--|--|---|
| DIMENSIONS: INCHES DECIMALS: 0.0005 FRACTIONS: 1/1000 TOLERANCES: .0005 FINISH: .0005 MATERIAL: | DIMENSIONS: MILLIMETERS DECIMALS: 0.0254 FRACTIONS: 1/100 TOLERANCES: .005 FINISH: .005 MATERIAL: | DIMENSIONS: MILLIMETERS DECIMALS: 0.0254 FRACTIONS: 1/100 TOLERANCES: .005 FINISH: .005 MATERIAL: | TTA Electronics Corporation Straight Angle Header w/Guides Assembly Multi-Beam XL 100-1813 116-13038 00778 ©-6450120 CUSTOMER DRAWING |
|--|--|--|---|

DATE: 02/20/22 REV: 00
 RECEIVED FROM PURIFICATION
 BY TECH ELECTRONICS CORPORATION, ALL RIGHTS RESERVED

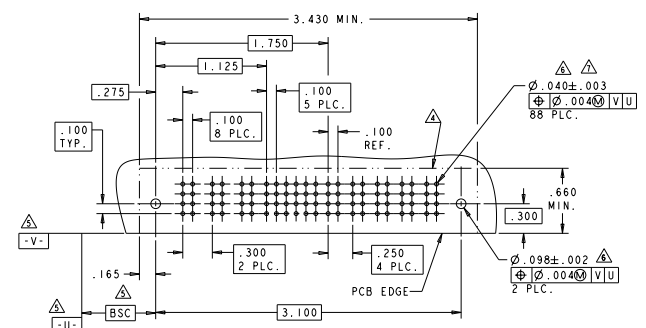
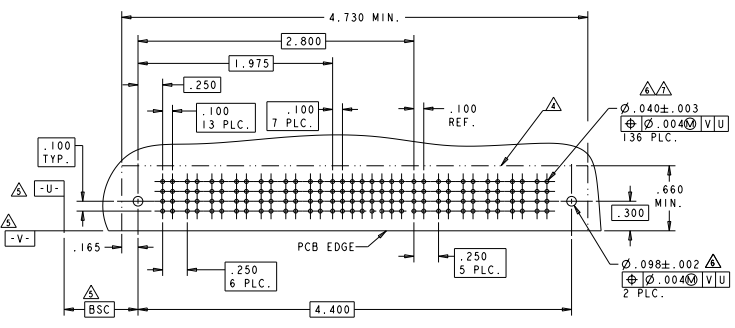
| REV | DATE | REVISIONS | BY | CHK |
|-----|------|-------------|----|-----|
| ES | 00 | SEE SHEET 1 | | |

| PART NUMBER | ROWS | POWER | | | | | | | SIGNAL | | | | | | | | | | | | | POWER | | | | | |
|-------------|------------------|-------|----|----|----|----|----|----|--------|---|---|---|---|---|---|---|----|-----|-----|-----|-----|-------|----|----|----|----|----|
| | | P1 | P2 | P3 | P4 | P5 | P6 | P7 | 1 | 2 | 3 | 4 | 5 | 6 | 7 | 8 | P8 | P10 | P11 | P12 | P13 | | | | | | |
| 6450120-5 | D C B A | PM | PM | PM | PM | PM | PM | PM | K | K | K | K | K | K | K | K | PM | PM | PM | PM | PM | PM | PM | PM | PM | PM | PM |
| | | HD | HD | HD | HD | HD | HD | HD | N | N | N | N | N | N | N | N | HD | HD | HD | HD | HD | HD | HD | HD | HD | HD | HD |
| | | | | | | | | | S | S | S | S | S | S | S | S | | | | | | | | | | | |

7P + 32S + 6P

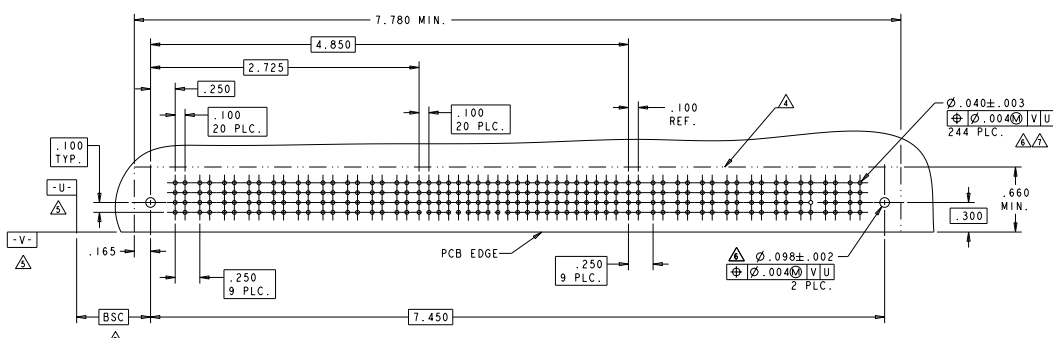
| PART NUMBER | ROWS | POWER | | | SIGNAL | | | | | | | | POWER | | | | |
|-------------|------------------|-------|----|----|--------|---|---|---|---|---|----|----|-------|----|----|--|--|
| | | P1 | P2 | P3 | 1 | 2 | 3 | 4 | 5 | 6 | P4 | P5 | P6 | P7 | P8 | | |
| 6450120-7 | D C B A | PM | PM | PM | J | J | J | J | J | J | PM | PM | PM | PM | PM | | |
| | | HD | HD | HD | N | N | N | N | N | N | HD | HD | HD | HD | HD | | |
| | | | | | S | S | S | S | S | S | | | | | | | |

3ACP + 24S + 5P



| PART NUMBER | ROWS | POWER | | | | | | | | | | SIGNAL | | | | | | | | | | | | | | | | | | | | POWER | | | | | | | | | | | |
|-------------|------------------|-------|----|----|----|----|----|----|----|----|-----|--------|---|---|---|---|---|---|---|---|----|----|----|----|----|----|----|----|----|----|----|-------|-----|-----|-----|-----|-----|-----|-----|-----|-----|-----|----|
| | | P1 | P2 | P3 | P4 | P5 | P6 | P7 | P8 | P9 | P10 | 1 | 2 | 3 | 4 | 5 | 6 | 7 | 8 | 9 | 10 | 11 | 12 | 13 | 14 | 15 | 16 | 17 | 18 | 19 | 20 | 21 | P11 | P12 | P13 | P14 | P15 | P16 | P17 | P18 | P19 | P20 | |
| 6450120-6 | D C B A | PM | PM | PM | PM | PM | PM | PM | PM | PM | K | K | K | K | K | K | K | K | K | K | K | PM | PM | PM | PM | PM | PM | PM | PM | PM | PM | PM | PM | PM | PM | PM | PM | PM | PM | PM | PM | PM | PM |
| | | HD | HD | HD | HD | HD | HD | HD | HD | HD | N | N | N | N | N | N | N | N | N | N | N | HD | HD | HD | HD | HD | HD | HD | HD | HD | HD | HD | HD | HD | HD | HD | HD | HD | HD | HD | HD | HD | HD |
| | | | | | | | | | | | S | S | S | S | S | S | S | S | S | S | S | | | | | | | | | | | | | | | | | | | | | | |

10P + 84S + 10P

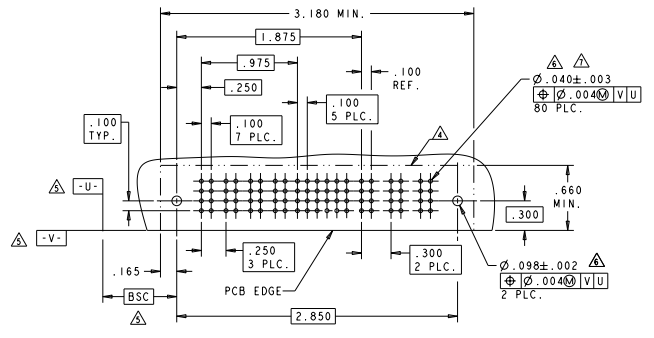


| | | | | | | | |
|---|-------------------------|------------------------|-------------------------|---|-------------------------|------------------------|-------------------------|
| DATE: 02/20/22 REV: 00 | DESIGNED BY: [Redacted] | CHECKED BY: [Redacted] | APPROVED BY: [Redacted] | DATE: 02/20/22 REV: 00 | DESIGNED BY: [Redacted] | CHECKED BY: [Redacted] | APPROVED BY: [Redacted] |
| TECH ELECTRONICS CORPORATION 100-1913 116-13038 | | | | TECH ELECTRONICS CORPORATION 100-1913 116-13038 | | | |
| CUSTOMER DRAWING | | | | CUSTOMER DRAWING | | | |

| REV | DATE | DESCRIPTION | BY | CHK'D | APP'D |
|-----|------|-------------|----|-------|-------|
| ES | 00 | SEE SHEET 1 | | | |

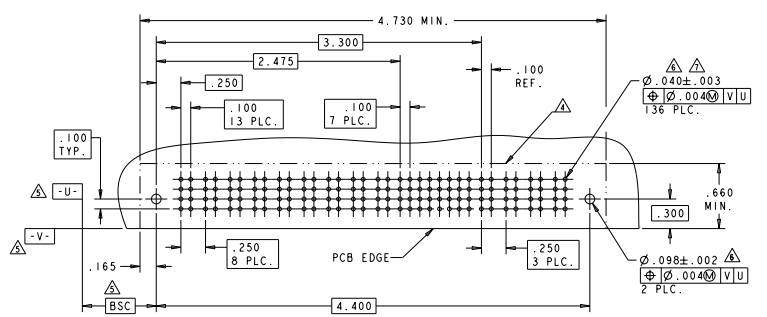
| PART NUMBER | ROWS | POWER | | | | SIGNAL | | | | | | POWER | | | | | | |
|-------------|------------------|-------|----|----|----|--------|---|---|---|---|---|-------|----|----|---|----|----|----|
| | | P1 | P2 | P3 | P4 | 1 | 2 | 3 | 4 | 5 | 6 | P5 | P6 | P7 | | | | |
| 6450120-8 | D C B A | PM | PM | PM | PM | J | J | J | J | J | J | N | N | N | N | PM | PM | PM |
| | | K | K | K | K | S | S | S | S | S | S | S | S | S | S | | | |

4P + 24S + 3ACP



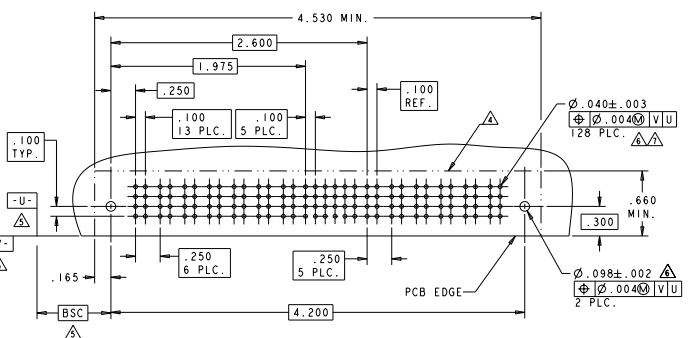
| PART NUMBER | ROWS | POWER | | | | | | | | SIGNAL | | | | | | | | POWER | | | | | | |
|-------------|------------------|-------|----|----|----|----|----|----|----|--------|---|---|---|---|---|---|---|-------|-----|-----|-----|-----|----|----|
| | | P1 | P2 | P3 | P4 | P5 | P6 | P7 | P8 | P9 | 1 | 2 | 3 | 4 | 5 | 6 | 7 | 8 | P10 | P11 | P12 | P13 | | |
| 1-6450120-0 | D C B A | PM | PM | PM | PM | PM | PM | PM | PM | J | J | J | J | J | J | J | J | N | N | N | N | PM | PM | PM |
| | | K | K | K | K | K | K | K | K | S | S | S | S | S | S | S | S | S | S | S | S | | | |

9P + 32S + 4P



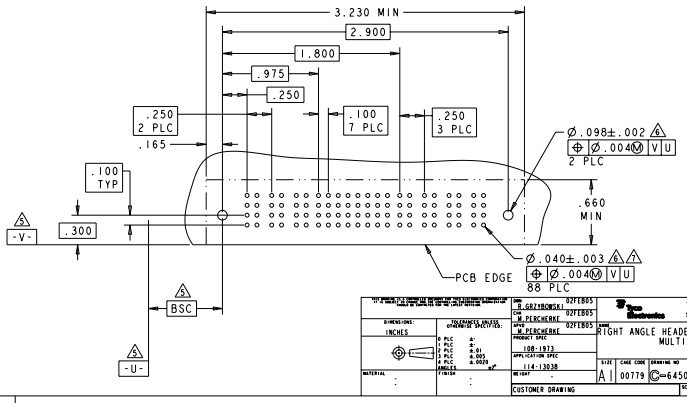
| PART NUMBER | ROWS | POWER | | | | | | | SIGNAL | | | | | | POWER | | | | | | |
|-------------|------------------|-------|----|----|----|----|----|----|--------|---|---|---|---|---|-------|----|-----|-----|-----|-----|----|
| | | P1 | P2 | P3 | P4 | P5 | P6 | P7 | 1 | 2 | 3 | 4 | 5 | 6 | P8 | P9 | P10 | P11 | P12 | P13 | |
| 6450120-9 | D C B A | PM | PM | PM | PM | PM | PM | J | J | J | J | J | J | N | N | N | N | PM | PM | PM | PM |
| | | K | K | K | K | K | K | S | S | S | S | S | S | S | S | S | S | | | | |

7P + 24S + 6P



| PART NUMBER | ROWS | POWER | | | SIGNAL | | | | | | | | POWER | | | | | | |
|-------------|------------------|-------|----|----|--------|---|---|---|---|---|---|---|-------|----|----|----|----|----|----|
| | | P1 | P2 | P3 | 1 | 2 | 3 | 4 | 5 | 6 | 7 | 8 | P4 | P5 | P6 | P7 | | | |
| 2-1450120-1 | 4 3 2 1 | PM | PM | PM | J | J | J | J | J | J | J | J | N | N | N | N | PM | PM | PM |
| | | K | K | K | S | S | S | S | S | S | S | S | S | S | S | S | | | |

3P + 32S + 4P

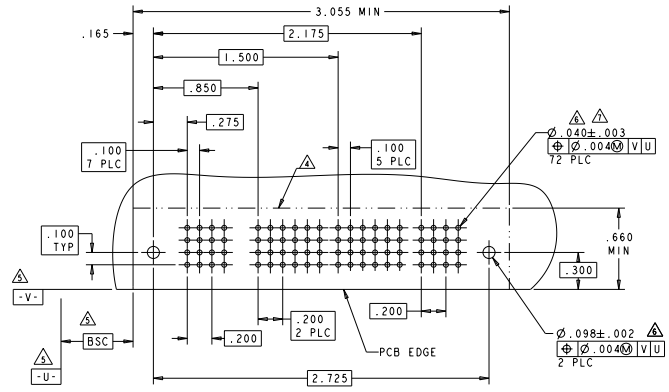


| | | | | | |
|-------------------------|--|----------------------------|--|---------------------|--|
| DRAWN BY: [Signature] | | CHECKED BY: [Signature] | | DATE: 11-6-1998 | |
| INCHES: [Symbol] | | MILLIMETERS: [Symbol] | | SCALE: 1:1 | |
| MATERIAL: [Symbol] | | FINISH: [Symbol] | | QUANTITY: [Symbol] | |
| SPECIFICATION: [Symbol] | | STANDARD: [Symbol] | | DRAWING NO: 6450120 | |
| REVISION: [Symbol] | | CUSTOMER DRAWING: [Symbol] | | SHEET: 4 of 5 | |

| REV | DATE | DESCRIPTION | BY | CHK | APP |
|-----|------|-------------|----|-----|-----|
| ES | 00 | SEE SHEET 1 | | | |

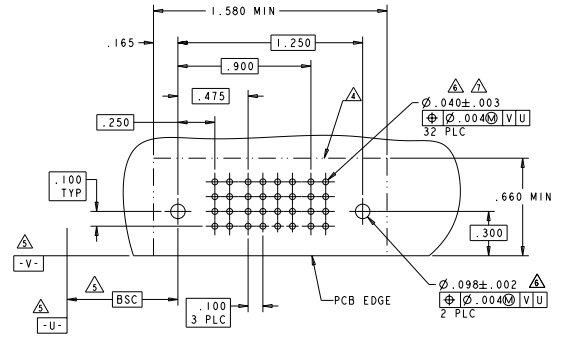
| PART NUMBER | ROWS | POWER | | | | SIGNAL | | | | | | POWER | | | | | | |
|-------------|------------------|-------|----|----|----|--------|---|---|---|---|---|-------|----|----|---|---|---|---|
| | | P1 | P2 | P3 | P4 | P5 | 1 | 2 | 3 | 4 | 5 | 6 | P6 | P7 | | | | |
| 1-6450120-1 | D C B A | P | M | P | M | J | J | J | J | J | J | J | J | J | P | M | P | M |
| | | | | | | K | K | K | K | K | K | K | K | K | | | | |
| | | | | | | N | N | N | N | N | N | N | N | N | | | | |
| | | | | | | S | S | S | S | S | S | S | S | S | | | | |

5P + 24S + 2P



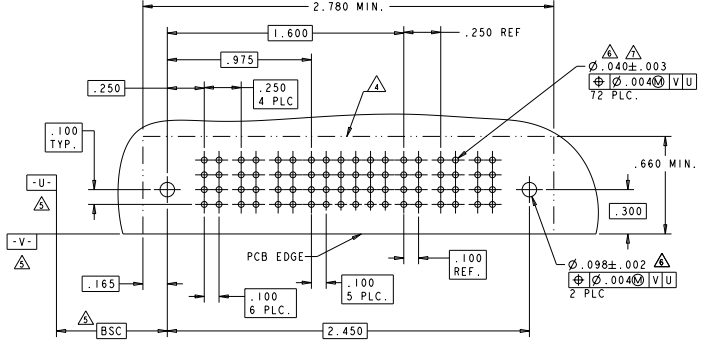
| PART NUMBER | ROWS | POWER | | SIGNAL | | | | POWER | | | |
|-------------|------------------|-------|----|--------|---|---|---|-------|----|---|---|
| | | P1 | P2 | 1 | 2 | 3 | 4 | P3 | P4 | | |
| 1-6450120-3 | D C B A | P | M | J | J | J | J | J | J | P | M |
| | | | | K | K | K | K | K | K | | |
| | | | | N | N | N | N | N | N | | |
| | | | | S | S | S | S | S | S | | |

1P + 16S + 1P



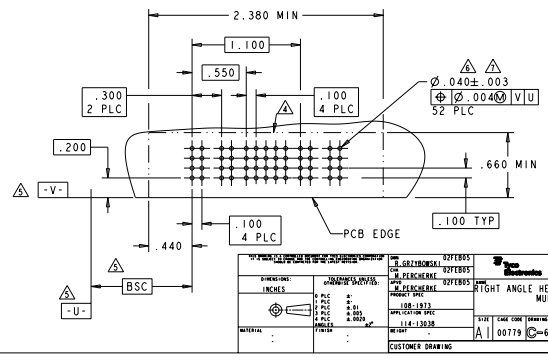
| PART NUMBER | ROWS | POWER | | | SIGNAL | | | | | | POWER | | | | | | |
|-------------|------------------|-------|----|----|--------|---|---|---|---|---|-------|----|----|---|---|---|---|
| | | P1 | P2 | P3 | 1 | 2 | 3 | 4 | 5 | 6 | P4 | P5 | P6 | | | | |
| 1-6450120-2 | D C B A | P | M | P | M | J | J | J | J | J | J | J | J | P | M | P | M |
| | | | | | | K | K | K | K | K | K | K | K | | | | |
| | | | | | | N | N | N | N | N | N | N | N | | | | |
| | | | | | | S | S | S | S | S | S | S | S | | | | |

3P + 24S + 3P



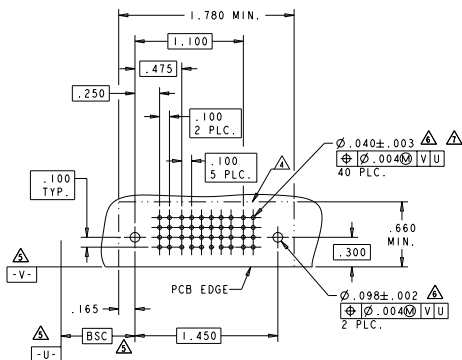
| PART NUMBER | ROWS | POWER | | SIGNAL | | | | POWER | | | |
|-------------|------------------|-------|----|--------|---|---|---|-------|----|---|---|
| | | P1 | P2 | 1 | 2 | 3 | 4 | P3 | P4 | | |
| 1-6450120-4 | D C B A | P | M | J | J | J | J | J | J | P | M |
| | | | | K | K | K | K | K | K | | |
| | | | | N | N | N | N | N | N | | |
| | | | | S | S | S | S | S | S | | |

2P + 20S + 2P



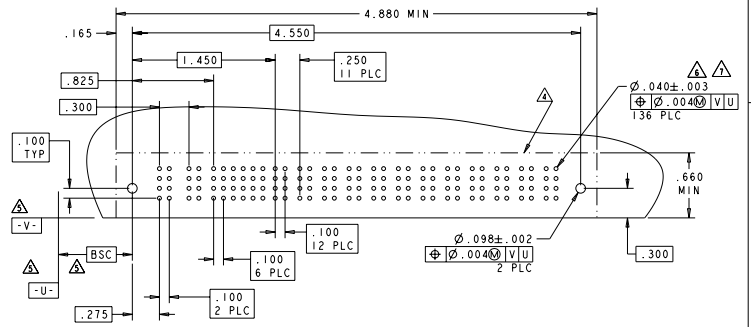
| | | | | |
|--|---|---|---|---|
| DIMENSIONS: INCHES TOLERANCES: DIMENSIONS: DECIMALS FINISH: MIL-STD-883C SPECIFICATION: MIL-STD-883C DATE: 08/24/2010 DRAWN BY: [REDACTED] CHECKED BY: [REDACTED] APPROVED BY: [REDACTED] | TITLE: RIGHT ANGLE HEADER W/GUIDES ASSEMBLY MULTI-BEAM XL PART NUMBER: 1-6450120-4 REV: A CUSTOMER DRAWING: [REDACTED] | DATE: 08/24/2010 DRAWN BY: [REDACTED] CHECKED BY: [REDACTED] APPROVED BY: [REDACTED] | PCB ELECTRONICS CORPORATION 100-1913 114-13038 00778 ©-6450120 | TITLE: RIGHT ANGLE HEADER W/GUIDES ASSEMBLY MULTI-BEAM XL PART NUMBER: 1-6450120-4 REV: A CUSTOMER DRAWING: [REDACTED] |
|--|---|---|---|---|

| PART NUMBER | ROWS | POWER | | | | | | SIGNAL | | | | | | POWER | | | | | | | | | | | | | | | | | | | | | | | | |
|---------------|------------------|-------|----|----|----|----|----|--------|---|---|---|---|---|-------|----|----|-----|-----|-----|-----|-----|---|---|---|---|---|---|---|---|---|---|---|---|---|---|---|---|---|
| | | P1 | P2 | P3 | P4 | P5 | P6 | 1 | 2 | 3 | 4 | 5 | 6 | P7 | P8 | P9 | P10 | P11 | P12 | P13 | P14 | | | | | | | | | | | | | | | | | |
| 1-6450120-6 | D C B A | PA | PA | PA | PA | PA | PA | Z | Z | Z | Z | Z | Z | Z | Y | Y | Y | Y | Y | Y | Y | Y | R | R | R | R | R | R | R | R | Q | Q | Q | Q | Q | Q | Q | Q |
| IP + 24S + IP | | | | | | | | | | | | | | | | | | | | | | | | | | | | | | | | | | | | | | |

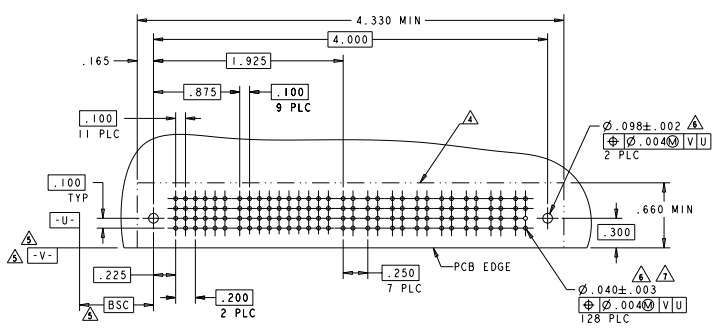


| REVISE | | REVISIONS | |
|--------|-----|-------------|------|
| ES | REV | DESCRIPTION | DATE |
| 00 | 1 | SEE SHEET 1 | |

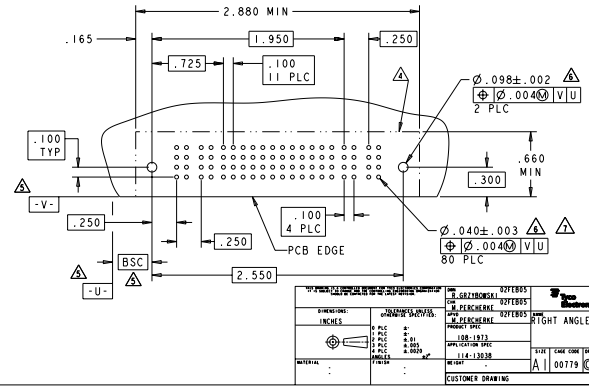
| PART NUMBER | ROWS | POWER | | | | | | SIGNAL | | | | | | POWER | | | | | | | | | | | | | | | | | | | | | | | | |
|------------------|------------------|-------|----|----|----|----|----|--------|---|---|---|---|---|-------|----|----|-----|-----|-----|-----|-----|---|---|---|---|---|---|---|---|---|---|---|---|---|---|---|---|---|
| | | P1 | P2 | P3 | P4 | P5 | P6 | 1 | 2 | 3 | 4 | 5 | 6 | P7 | P8 | P9 | P10 | P11 | P12 | P13 | P14 | | | | | | | | | | | | | | | | | |
| 2-6450120-2 | D C B A | PM | PM | PM | PM | PM | PM | J | J | J | J | J | J | J | K | K | K | K | K | K | K | K | N | N | N | N | N | N | N | N | S | S | S | S | S | S | S | S |
| 2ACP + 24S + 12P | | | | | | | | | | | | | | | | | | | | | | | | | | | | | | | | | | | | | | |



| PART NUMBER | ROWS | POWER | | | SIGNAL | | | | | | | | | | POWER | | | | | | | | | | | | | | | | | | | | | | | |
|---------------|------------------|-------|----|----|--------|---|---|---|---|---|---|---|---|----|-------|----|----|----|----|----|-----|-----|---|---|---|---|---|---|---|---|---|---|---|---|---|---|---|---|
| | | P1 | P2 | P3 | 1 | 2 | 3 | 4 | 5 | 6 | 7 | 8 | 9 | 10 | P4 | P5 | P6 | P7 | P8 | P9 | P10 | P11 | | | | | | | | | | | | | | | | |
| 2-6450120-0 | D C B A | PM | PM | PM | J | J | J | J | J | J | J | J | J | J | K | K | K | K | K | K | K | K | N | N | N | N | N | N | N | N | S | S | S | S | S | S | S | S |
| 3P + 40S + 8P | | | | | | | | | | | | | | | | | | | | | | | | | | | | | | | | | | | | | | |



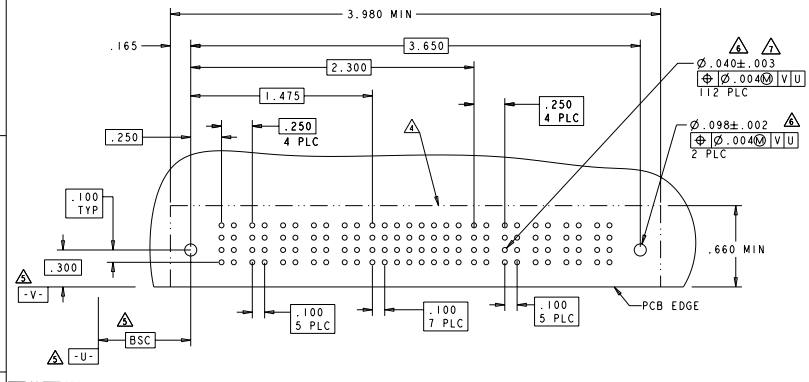
| PART NUMBER | ROWS | POWER | | SIGNAL | | | | | | | | | | | | POWER | | | | | | | | | | | | | | | | | | | | | | |
|---------------|------------------|-------|----|--------|---|---|---|---|---|---|---|---|----|----|----|-------|----|---|---|---|---|---|---|---|---|---|---|---|---|---|---|---|---|---|---|---|---|---|
| | | P1 | P2 | 1 | 2 | 3 | 4 | 5 | 6 | 7 | 8 | 9 | 10 | 11 | 12 | P3 | P4 | | | | | | | | | | | | | | | | | | | | | |
| 2-6450120-3 | D C B A | PM | PM | J | J | J | J | J | J | J | J | J | J | J | K | K | K | K | K | K | K | K | N | N | N | N | N | N | N | N | S | S | S | S | S | S | S | S |
| 2P + 48S + 2P | | | | | | | | | | | | | | | | | | | | | | | | | | | | | | | | | | | | | | |



| | | | | | |
|--|---|--|---|--|--|
| DIMENSIONS: INCHES DECIMALS FRACTIONS | CONSTRUCTION: DIMENSIONS: DECIMALS FRACTIONS | REFERENCE: DIMENSIONS: DECIMALS FRACTIONS | TOLERANCES: DIMENSIONS: DECIMALS FRACTIONS | TITLE: RIGHT ANGLE HEADER W/GUIDES ASSEMBLY MULTI-BEAM XL PART NO: 168-193 DATE: 11-6-13038 REV: A CUSTOMER: 00778 | DATE: 00778 PART NO: 6450120 SHEET: 4-11 OF: 17 |
|--|---|--|---|--|--|

| PART NUMBER | ROWS | POWER | | | | SIGNAL | | | | | | | | POWER | | | | | | | | |
|-------------|------------------|-------|----|----|----|--------|---|---|---|---|---|---|---|-------|----|----|----|-----|----|----|----|----|
| | | P1 | P2 | P3 | P4 | 1 | 2 | 3 | 4 | 5 | 6 | 7 | 8 | P6 | P7 | P8 | P9 | P10 | | | | |
| 2-6450120-4 | D C B A | PM | PM | PM | PM | J | J | J | J | J | J | J | J | J | J | J | J | J | PM | PM | PM | PM |
| | | N | N | N | N | S | S | S | S | S | S | S | S | S | S | S | S | N | N | N | N | |

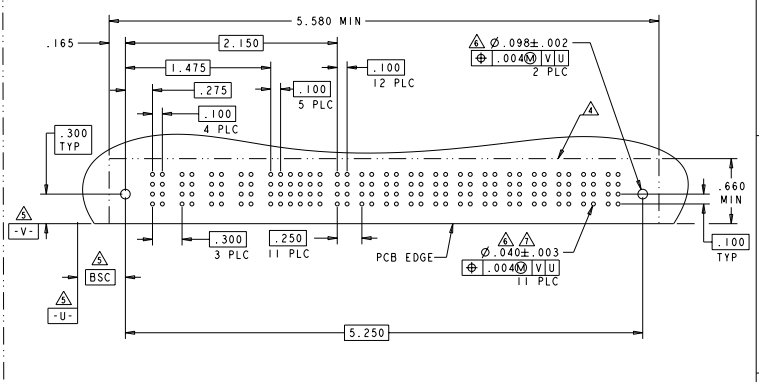
5P + 32S + 5P



| REV | DATE | DESCRIPTION | BY | CHK | APP |
|-----|------|-------------|----|-----|-----|
| 00 | | SEE SHEET 1 | | | |

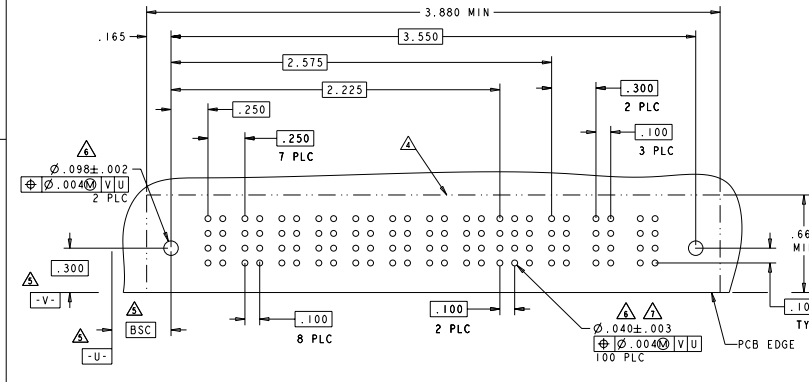
| PART NUMBER | ROWS | AC POWER | | | | SIGNAL | | | | | | | | POWER | | | | | | | | | | | | | | |
|-------------|------------------|----------|----|----|----|--------|---|---|---|---|---|---|---|-------|----|----|----|----|-----|-----|-----|-----|-----|-----|-----|----|----|----|
| | | P1 | P2 | P3 | P4 | 1 | 2 | 3 | 4 | 5 | 6 | 7 | 8 | P3 | P6 | P7 | P8 | P9 | P10 | P11 | P12 | P13 | P14 | P15 | P16 | | | |
| 2-6450120-6 | D C B A | PM | PM | PM | PM | J | J | J | J | J | J | J | J | J | J | J | J | J | J | J | J | J | J | J | PM | PM | PM | PM |
| | | N | N | N | N | S | S | S | S | S | S | S | S | S | S | S | S | S | S | S | S | S | S | S | N | N | N | N |

4ACP + 24S + 12P



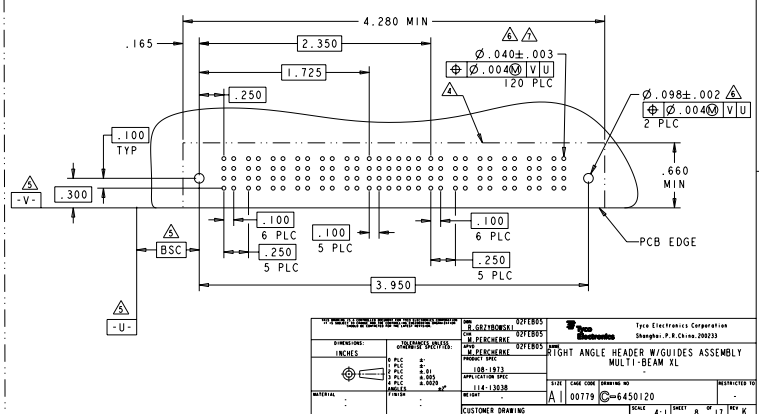
| PART NUMBER | ROWS | POWER | | | | SIGNAL | | | POWER | | | |
|-------------|------------------|-------|----|----|----|--------|---|---|-------|-----|-----|-----|
| | | P1 | P2 | P3 | P4 | 1 | 2 | 3 | P9 | P10 | P11 | P12 |
| 3-6450120-3 | D C B A | PM | PM | PM | PM | J | J | J | PM | PM | PM | PM |
| | | N | N | N | N | S | S | S | N | N | N | N |

8P + 12S + 3ACP



| PART NUMBER | ROWS | POWER | | | | SIGNAL | | | | | | | | POWER | | | | | | | | | | | | | |
|-------------|------------------|-------|----|----|----|--------|---|---|---|---|---|---|---|-------|----|----|----|----|-----|-----|-----|---|---|----|----|----|----|
| | | P1 | P2 | P3 | P4 | 1 | 2 | 3 | 4 | 5 | 6 | 7 | 8 | P3 | P6 | P7 | P8 | P9 | P10 | P11 | P12 | | | | | | |
| 2-6450120-7 | D C B A | PM | PM | PM | PM | J | J | J | J | J | J | J | J | J | J | J | J | J | J | J | J | J | J | PM | PM | PM | PM |
| | | N | N | N | N | S | S | S | S | S | S | S | S | S | S | S | S | S | S | S | S | S | S | N | N | N | N |

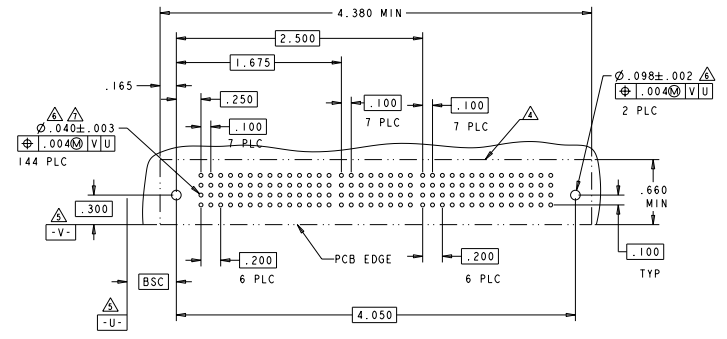
6P + 24S + 6P



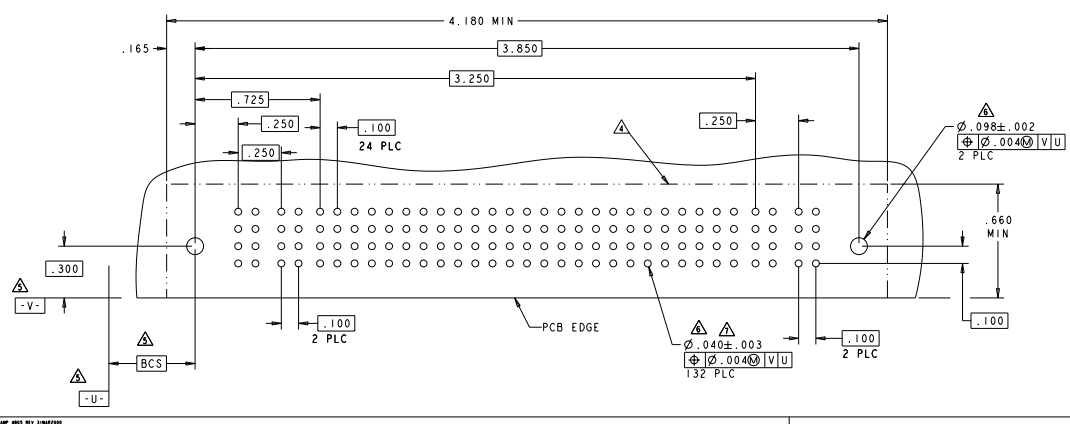
| | | | | |
|--|--|--|--|--|
| DIMENSIONS: INCHES UNLESS OTHERWISE SPECIFIED DECIMALS: 0.0005 FRACTIONS: 1/100 TOLERANCES: AS SHOWN | TYPICAL DIMENSIONS: 0.0005 UNLESS OTHERWISE SPECIFIED DECIMALS: 0.0005 FRACTIONS: 1/100 TOLERANCES: AS SHOWN | TYPICAL DIMENSIONS: 0.0005 UNLESS OTHERWISE SPECIFIED DECIMALS: 0.0005 FRACTIONS: 1/100 TOLERANCES: AS SHOWN | TYPICAL DIMENSIONS: 0.0005 UNLESS OTHERWISE SPECIFIED DECIMALS: 0.0005 FRACTIONS: 1/100 TOLERANCES: AS SHOWN | TYPICAL DIMENSIONS: 0.0005 UNLESS OTHERWISE SPECIFIED DECIMALS: 0.0005 FRACTIONS: 1/100 TOLERANCES: AS SHOWN |
| TSC ELECTRONICS CORPORATION 100-1813 116-13038 00778 ©-6450120 | | | | DATE: 08/12/2010 DRAWING: A SHEET: 8 OF 12 |

| REV | DATE | DESCRIPTION | BY | CHK | APP |
|-----|------|-------------|----|-----|-----|
| ES | 00 | SEE SHEET 1 | | | |

| PART NUMBER | ROWS | POWER | | | | | | | SIGNAL | | | | | | | POWER | | | | | | | | | | | | | |
|-------------|------------------|-------------------|----|----|----|----|----|----|--------|---|---|---|---|---|---|-------|----|----|-----|-----|-----|-----|-----|--|--|--|--|--|--|
| | | P1 | P2 | P3 | P4 | P5 | P6 | P7 | 1 | 2 | 3 | 4 | 5 | 6 | 7 | 8 | P8 | P9 | P10 | P11 | P12 | P13 | P14 | | | | | | |
| 3-6450120-0 | D C B A | PM | PM | PM | PM | PM | PM | PM | J | J | J | J | J | J | J | J | PM | PM | PM | PM | PM | PM | PM | | | | | | |
| | | HD | | | | | | | S | S | S | S | S | S | S | S | | | | | | | | | | | | | |
| | | 7HDP + 32S + 7HDP | | | | | | | | | | | | | | | | | | | | | | | | | | | |



| PART NUMBER | ROWS | POWER | | SIGNAL | | | | | | | | | | | | | | | | | | | | | | | | POWER | | | |
|-------------|------------------|----------------|----|--------|---|---|---|---|---|---|---|---|----|----|----|----|----|----|----|----|----|----|----|----|----|----|----|-------|----|----|----|
| | | P1 | P2 | 1 | 2 | 3 | 4 | 5 | 6 | 7 | 8 | 9 | 10 | 11 | 12 | 13 | 14 | 15 | 16 | 17 | 18 | 19 | 20 | 21 | 22 | 23 | 24 | 25 | P3 | P4 | |
| 3-6450120-6 | D C B A | PM | PM | J | J | J | J | J | J | J | J | J | J | J | J | J | J | J | J | J | J | J | J | J | J | J | J | J | J | PM | PM |
| | | HD | | N | N | N | N | N | N | N | N | N | N | N | N | N | N | N | N | N | N | N | N | N | N | N | N | N | N | | |
| | | 2P + 100S + 2P | | | | | | | | | | | | | | | | | | | | | | | | | | | | | |

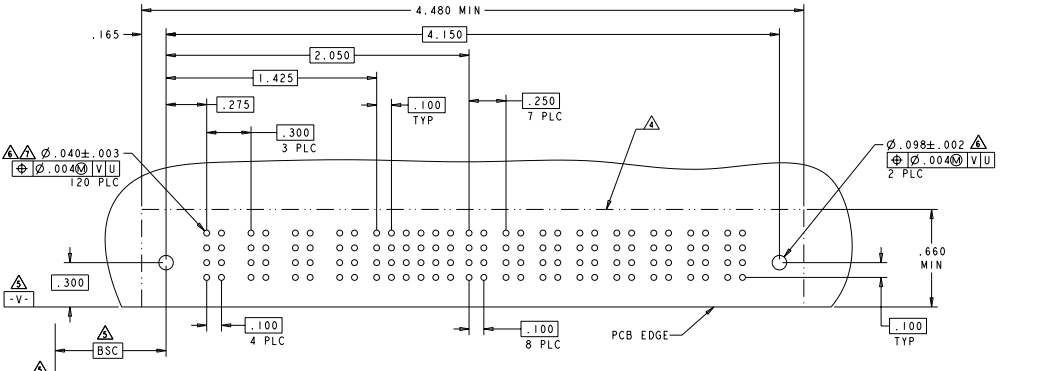


| | | | | | | | |
|---|--|--|--|--|--|---|--|
| DIMENSIONS: INCHES DECIMALS: 0.0005 FRACTIONS: 1/1000 | | DIMENSIONS: METERS DECIMALS: 0.0001 FRACTIONS: 1/10000 | | DIMENSIONS: MILLIMETERS DECIMALS: 0.001 FRACTIONS: 1/100 | | DIMENSIONS: CENTIMETERS DECIMALS: 0.01 FRACTIONS: 1/100 | |
| TITLE: RIGHT ANGLE HEADER W/GUIDES ASSEMBLY MULTI-BEAM XL PART NUMBER: 3-6450120-0 REV: A | | DATE: 00778 DRAWN BY: [blank] | | CHECKED BY: [blank] | | APPROVED BY: [blank] | |

| REV. NO. | | REVISIONS | |
|----------|----|-----------|-------------|
| ES | 00 | DATE | DESCRIPTION |
| | | | SEE SHEET 1 |
| | | | |
| | | | |

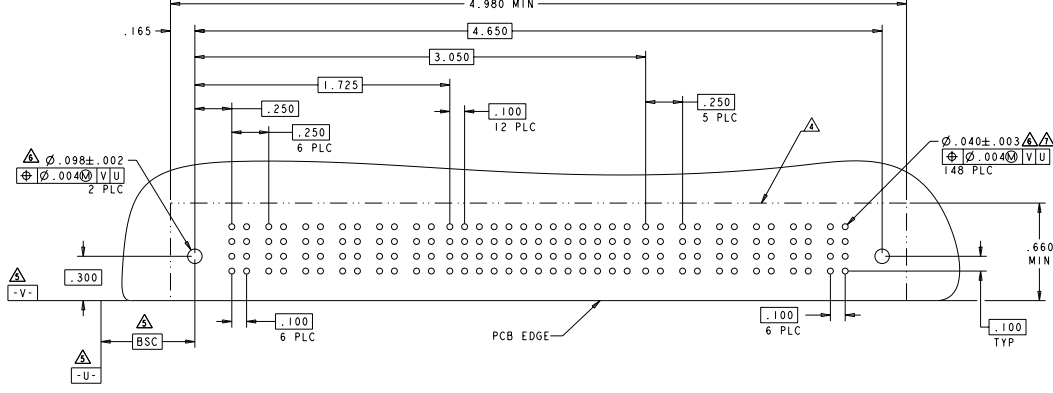
| PART NUMBER | ROWS | POWER | | | | SIGNAL | | | | | | POWER | | | | | | | |
|-------------|------|-------|----|----|----|--------|---|---|---|---|---|-------|----|----|----|----|-----|-----|-----|
| | | P1 | P2 | P3 | P4 | 1 | 2 | 3 | 4 | 5 | 6 | P5 | P6 | P7 | P8 | P9 | P10 | P11 | P12 |
| 4-6450120-0 | D | | | | | J | J | J | J | J | J | | | | | | | | |
| | C | | | | | K | K | K | K | K | K | | | | | | | | |
| | B | | | | | N | N | N | N | N | N | | | | | | | | |
| | A | | | | | S | S | S | S | S | S | | | | | | | | |

4ACP + 24S + 8P



| PART NUMBER | ROWS | POWER | | | | SIGNAL | | | | | | | | | | | | POWER | | | | | | |
|-------------|------|-------|----|----|----|--------|---|---|---|---|---|---|---|---|----|----|----|-------|----|----|----|-----|-----|-----|
| | | P1 | P2 | P3 | P4 | 1 | 2 | 3 | 4 | 5 | 6 | 7 | 8 | 9 | 10 | 11 | 12 | 13 | P7 | P8 | P9 | P10 | P11 | P12 |
| 3-6450120-5 | D | | | | | J | J | J | J | J | J | J | J | J | J | J | J | J | | | | | | |
| | C | | | | | K | K | K | K | K | K | K | K | K | K | K | K | K | | | | | | |
| | B | | | | | N | N | N | N | N | N | N | N | N | N | N | N | N | | | | | | |
| | A | | | | | S | S | S | S | S | S | S | S | S | S | S | S | S | | | | | | |

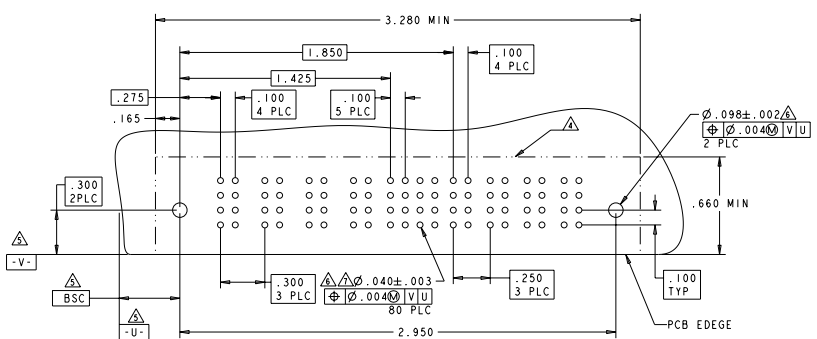
6P + 52S + 6P



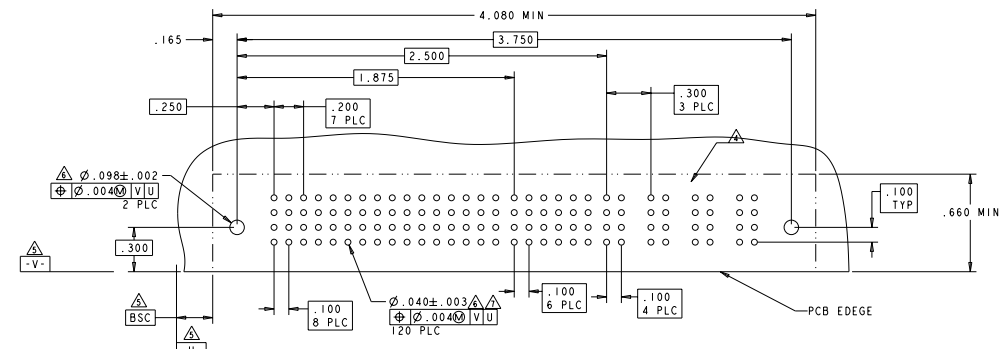
| DRAWING INFORMATION | | APPROVALS | | TITLE | |
|--------------------------|-----------------|--------------------------|-----------------|-------------------------|-----------------|
| DESIGNED BY: [Signature] | DATE: 108-1913 | DESIGNED BY: [Signature] | DATE: 108-1913 | REVISED BY: [Signature] | DATE: 116-13038 |
| CHECKED BY: [Signature] | DATE: 116-13038 | CHECKED BY: [Signature] | DATE: 116-13038 | CHECKED BY: [Signature] | DATE: 116-13038 |
| CUSTOMER DRAWING | | CUSTOMER DRAWING | | CUSTOMER DRAWING | |

| REV. NO. | | REVISIONS | |
|----------|------|-------------|----|
| NO. | DATE | DESCRIPTION | BY |
| 00 | ES | SEE SHEET 1 | |

| PART NUMBER | ROWS | POWER | | | | SIGNAL | | | | POWER | | | |
|-----------------|------------------|-------|----|----|----|--------|---|---|---|-------|----|----|----|
| | | P1 | P2 | P3 | P4 | 1 | 2 | 3 | 4 | P5 | P6 | P7 | P8 |
| 4-6450120-3 | D C B A | PM | PM | PM | PM | J | J | J | J | PM | PM | PM | PM |
| 4ACP + 16S + 4P | (HD) | | | | | K | K | K | K | | | | |
| | | | | | | N | N | N | N | | | | |
| | | | | | | S | S | S | S | | | | |



| PART NUMBER | ROWS | POWER | | | | | | | | SIGNAL | | | | | | POWER | | | |
|-----------------|------------------|-------|----|----|----|----|----|----|----|--------|---|---|---|---|---|-------|-----|-----|-----|
| | | P1 | P2 | P3 | P4 | P5 | P6 | P7 | P8 | 1 | 2 | 3 | 4 | 5 | 6 | P9 | P10 | P11 | P12 |
| 4-6450120-4 | D C B A | PM | PM | PM | PM | PM | PM | PM | PM | J | J | J | J | J | J | J | J | J | J |
| 8P + 24S + 4ACP | (HD) | | | | | | | | | K | K | K | K | K | K | K | K | K | K |
| | | | | | | | | | | N | N | N | N | N | N | N | N | N | N |
| | | | | | | | | | | S | S | S | S | S | S | S | S | S | S |

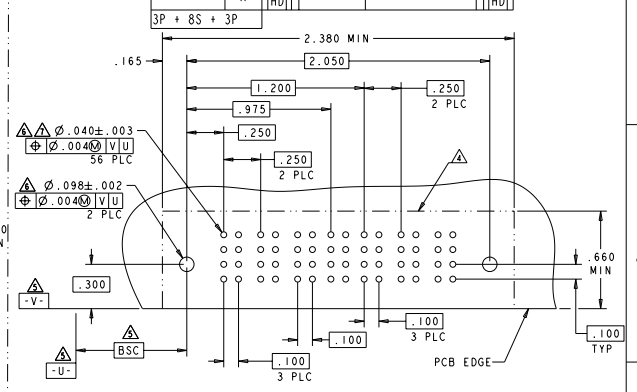
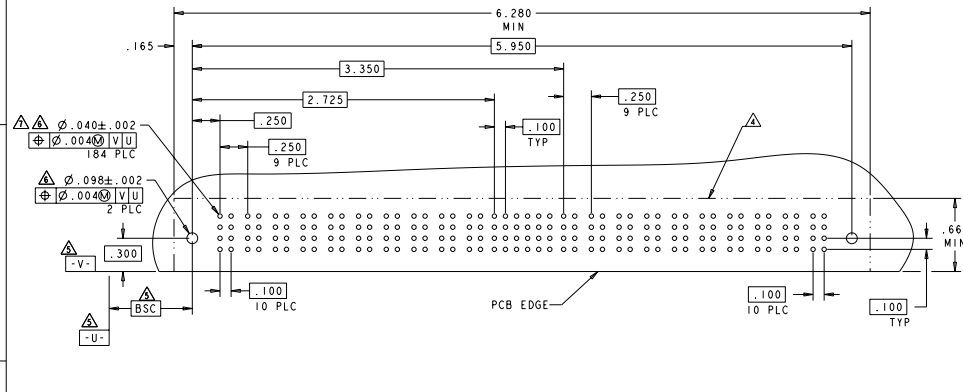


| DRAWING INFORMATION | | REVISIONS | | TSC ELECTRONICS CORPORATION | |
|---------------------------------|---------------------------------|---|-------------|---------------------------------------|----|
| DATE: 08/24/2018 | BY: TSC ELECTRONICS CORPORATION | REV. NO. | DESCRIPTION | DATE | BY |
| 00 | ES | 00 | SEE SHEET 1 | | |
| PART NUMBER: 4-6450120-3 | | DESCRIPTION: RIGHT ANGLE HEADER W/GUIDES ASSEMBLY MULTI-BEAM XL | | SCALE: 1:1 | |
| DRAWING NUMBER: 4-6450120-3 | | REV. NO.: 00 | | DATE: 08/24/2018 | |
| BY: TSC ELECTRONICS CORPORATION | | CHECKED: TSC ELECTRONICS CORPORATION | | APPROVED: TSC ELECTRONICS CORPORATION | |

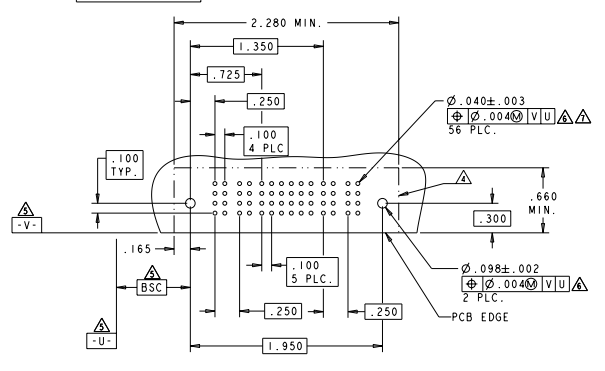
| REV | DATE | DESCRIPTION | BY | CHK | APP |
|-----|------|-------------|----|-----|-----|
| ES | 00 | SEE SHEET 1 | | | |

| PART NUMBER | ROWS | POWER | | | | | | | | | SIGNAL | | | | | | POWER | | | | | | | | | | | | | | | | | |
|-------------|------------------|-----------------|----|----|----|----|----|----|----|----|--------|---|---|---|---|---|-------|-----|-----|-----|-----|-----|-----|-----|-----|-----|-----|---|---|---|---|---|---|---|
| | | P1 | P2 | P3 | P4 | P5 | P6 | P7 | P8 | P9 | P10 | 1 | 2 | 3 | 4 | 5 | 6 | P11 | P12 | P13 | P14 | P15 | P16 | P17 | P18 | P19 | P20 | | | | | | | |
| 4-6450120-5 | D C B A | PM | PM | PM | PM | PM | PM | PM | PM | PM | J | J | J | J | J | J | K | K | K | K | K | K | N | N | N | N | N | N | S | S | S | S | S | S |
| | | 10P + 24S + 10P | | | | | | | | | | | | | | | | | | | | | | | | | | | | | | | | |

| PART NUMBER | ROWS | POWER | | | | SIGNAL | | POWER | | | | | |
|-------------|------------------|--------------|----|----|----|--------|---|-------|----|----|---|---|---|
| | | P1 | P2 | P3 | P4 | 1 | 2 | P4 | P5 | P6 | | | |
| 4-6450120-6 | D C B A | PM | PM | PM | PM | J | J | K | K | N | N | S | S |
| | | 3P + 8S + 3P | | | | | | | | | | | |



| PART NUMBER | ROWS | POWER | | | SIGNAL | | | | | | POWER | | | | | | | | | | | | | | | | | |
|-------------|------------------|---------------|----|----|--------|---|---|---|---|---|-------|----|---|---|---|---|---|---|---|---|---|---|---|---|---|---|---|---|
| | | P1 | P2 | P3 | 1 | 2 | 3 | 4 | 5 | 6 | P3 | P4 | | | | | | | | | | | | | | | | |
| 4-6450120-7 | D C B A | PM | PM | PM | J | J | J | J | J | J | K | K | K | K | K | K | N | N | N | N | N | N | S | S | S | S | S | S |
| | | 2P + 24S + 2P | | | | | | | | | | | | | | | | | | | | | | | | | | |

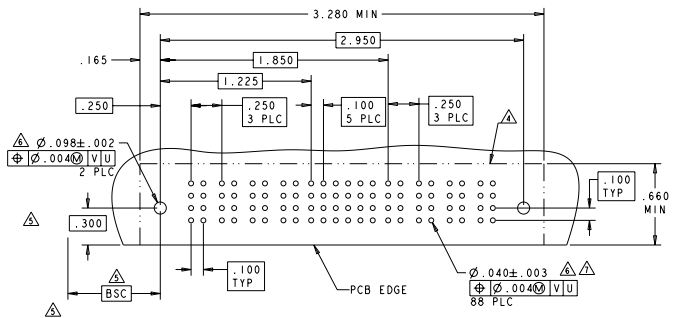


| | | | | | | | | | |
|---|--|--|--|--|--|---|--|--|--|
| THE INFORMATION ON THIS DRAWING IS UNCLASSIFIED UNLESS INDICATED OTHERWISE | | UNLESS OTHERWISE SPECIFIED DIMENSIONS ARE IN INCHES | | UNLESS OTHERWISE SPECIFIED DIMENSIONS ARE IN MILLIMETERS | | UNLESS OTHERWISE SPECIFIED DIMENSIONS ARE IN MILLIMETERS | | TYPE ELECTRONICS CORPORATION SCHAUMBURG, ILL. 60196 | |
| DIMENSIONS: INCHES MILLIMETERS | | DIMENSIONS: INCHES MILLIMETERS | | DIMENSIONS: INCHES MILLIMETERS | | DIMENSIONS: INCHES MILLIMETERS | | PART NUMBER 4-6450120-7 CUSTOMER DRAWING | |
| MATERIAL: STEEL | | FINISH: NONE | | TOLERANCES: .005 .002 .001 .0005 .0002 .0001 .00005 .00002 .00001 | | SURFACE FINISH: NONE | | DATE: 08/14/2014 BY: 00778 CHECKED: 00778 | |

| REV | DATE | DESCRIPTION | BY | CHK |
|-----|------|-------------|----|-----|
| ES | 00 | SEE SHEET 1 | | |

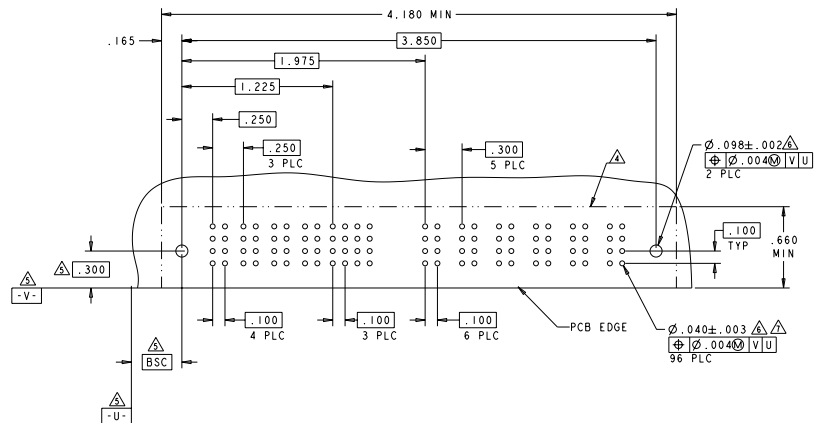
| PART NUMBER | ROWS | POWER | | | | SIGNAL | | | | | POWER | | | | |
|-------------|------------------|-------|----|----|----|--------|---|---|---|---|-------|----|----|----|----|
| | | P1 | P2 | P3 | P4 | 1 | 2 | 3 | 4 | 5 | 6 | P5 | P6 | P7 | P8 |
| 4-6450120-8 | D C B A | PM | PM | PM | PM | J | J | J | J | J | J | PM | PM | PM | PM |
| | | HD | | | | S | S | S | S | S | S | | | | |

4P + 24S + 4P



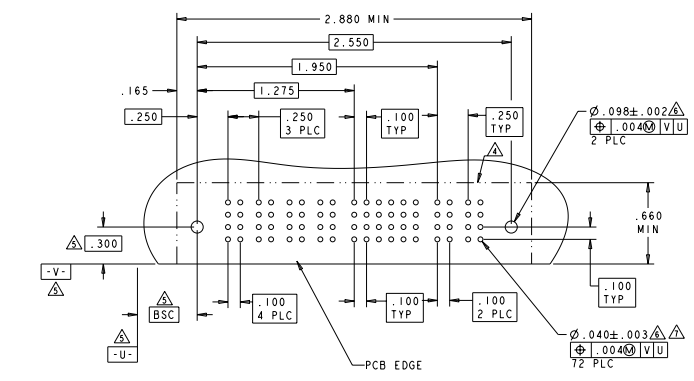
| PART NUMBER | ROWS | POWER | | | | SIGNAL | | | | POWER | | | | | | |
|-------------|------------------|-------|----|----|----|--------|---|---|---|-------|----|----|----|----|-----|-----|
| | | P1 | P2 | P3 | P4 | 1 | 2 | 3 | 4 | P5 | P6 | P7 | P8 | P9 | P10 | P11 |
| 5-6450120-0 | D C B A | PM | PM | PM | PM | J | J | J | J | PM | PM | PM | PM | PM | PM | PM |
| | | HD | | | | S | S | S | S | | | | | | | |

4P + 16S + 7ACP



| PART NUMBER | ROWS | POWER | | | | SIGNAL | | | | | POWER | | |
|-------------|------------------|-------|----|----|----|--------|---|---|---|---|-------|----|----|
| | | P1 | P2 | P3 | P4 | 1 | 2 | 3 | 4 | 5 | 6 | P5 | P6 |
| 2-6450120-5 | D C B A | PM | PM | PM | PM | J | J | J | J | J | J | PM | PM |
| | | HD | | | | S | S | S | S | S | S | | |

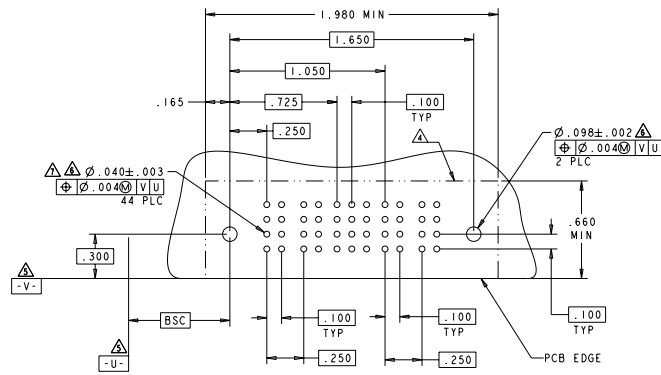
4P + 24S + 2P



| | | | | | |
|---|--|--|---|-----------------------|---------------|
| DIMENSIONS: INCHES DECIMALS: .001 FRACTIONS: 1/32 TOLERANCES: .005 UNLESS OTHERWISE SPECIFIED | DRAWN BY: J. J. J. CHECKED BY: J. J. J. DATE: 08/24/2018 | REVISED BY: J. J. J. DATE: 08/24/2018 | TITLE: RIGHT ANGLE HEADER W/GUIDES ASSEMBLY MULTI-BEAM XL PART NUMBER: 6450120 REV: A | CUSTOMER DRAWING: YES | SHEET: 1 OF 1 |
|---|--|--|---|-----------------------|---------------|

| REV | DATE | REVISIONS | BY | CHK | APP |
|-----|------|-------------|----|-----|-----|
| ES | 00 | | | | |
| | | SEE SHEET 1 | | | |
| | | | | | |
| | | | | | |

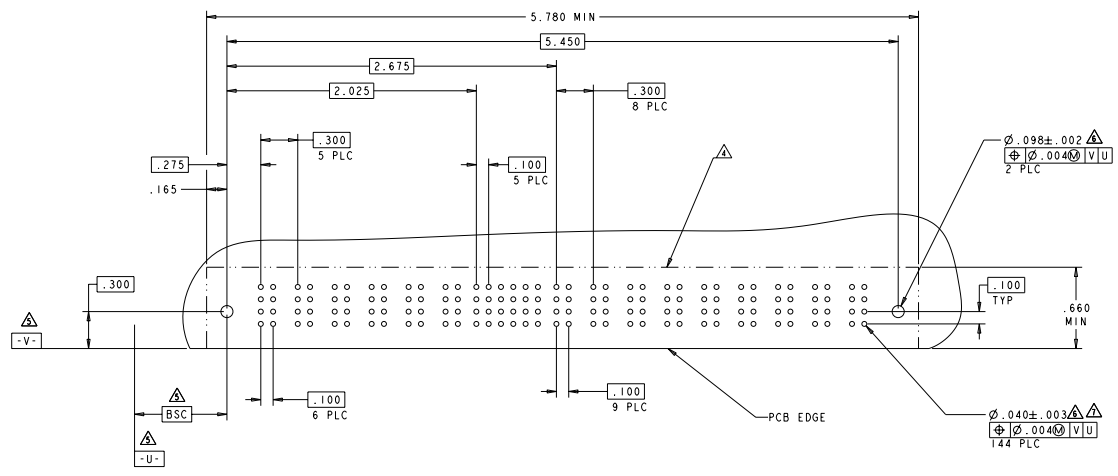
| PART NUMBER | ROWS | POWER | | SIGNAL | | | POWER | |
|---------------|------|-------|----|--------|---|---|-------|------|
| | | P1 | P2 | 1 | 2 | 3 | P3 | P4 |
| 4-6450120-9 | D | | | J | J | J | | |
| | C | | | K | K | K | | |
| | B | | | N | N | N | | |
| | A | | | S | S | S | | |
| 2P + 12S + 2P | | (HD) | | | | | | (HD) |



| | | | | | | | |
|------------------------------|--|------------------------------|--|------------------------------|--|------------------------------|--|
| TYLE ELECTRONICS CORPORATION | | TYLE ELECTRONICS CORPORATION | | TYLE ELECTRONICS CORPORATION | | TYLE ELECTRONICS CORPORATION | |
| INCHES | | MILLIMETERS | | MILLIMETERS | | MILLIMETERS | |
| 1:1 | | 1:1 | | 1:1 | | 1:1 | |
| 100-1933 | | 100-1933 | | 100-1933 | | 100-1933 | |
| 116-13038 | | 116-13038 | | 116-13038 | | 116-13038 | |
| A | | A | | A | | A | |
| CUSTOMER DRAWING | | CUSTOMER DRAWING | | CUSTOMER DRAWING | | CUSTOMER DRAWING | |

| REV | DATE | REVISIONS | BY | CHK | APP |
|-----|------|-----------|----|-----|-----|
| ES | 00 | | | | |
| | | | | | |

| PART NUMBER | ROWS | POWER | | | | SIGNAL | | | | | | POWER | | | | | | | | | | | | |
|-------------|------------------|---------------|----|----|----|--------|----|---|---|---|---|-------|---|----|----|----|-----|-----|-----|-----|-----|-----|--|--|
| | | P1 | P2 | P3 | P4 | P5 | P6 | 1 | 2 | 3 | 4 | 5 | 6 | P7 | P8 | P9 | P10 | P11 | P12 | P13 | P14 | P15 | | |
| 5-6450120-2 | D C B A | | | | | | J | J | J | E | | | | | | | | | | | | | | |
| | | PM | PM | PM | PM | | K | K | K | K | | | | | | | | | | | | | | |
| | | | | | | | N | N | N | N | | | | | | | | | | | | | | |
| | | | | | | | S | S | S | S | | | | | | | | | | | | | | |
| | | [HDI] | | | | | | | | | | [HDI] | | | | | | | | | | | | |
| | | 6P + 24S + 9P | | | | | | | | | | | | | | | | | | | | | | |



| DRAWING INFORMATION | | DESIGNATION | | REVISED | | DATE | | BY | | CHK | | APP | |
|--------------------------------------|---------------|-------------|----------|----------|----------|----------|----------|----------|----------|----------|----------|----------|----------|
| INCHES | 0.0005 INCHES | 100-1913 | 100-1913 | 100-1913 | 100-1913 | 100-1913 | 100-1913 | 100-1913 | 100-1913 | 100-1913 | 100-1913 | 100-1913 | 100-1913 |
| RIGHT ANGLE HEADER W/GUIDES ASSEMBLY | | | | | | | | | | | | 100-1913 | |
| MULTI-BEAM XL | | | | | | | | | | | | 100-1913 | |
| CUSTOMER DRAWING | | | | | | | | | | | | 100-1913 | |

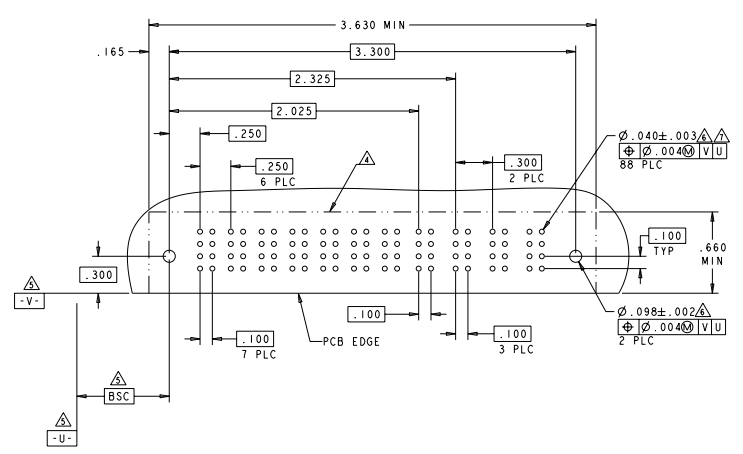
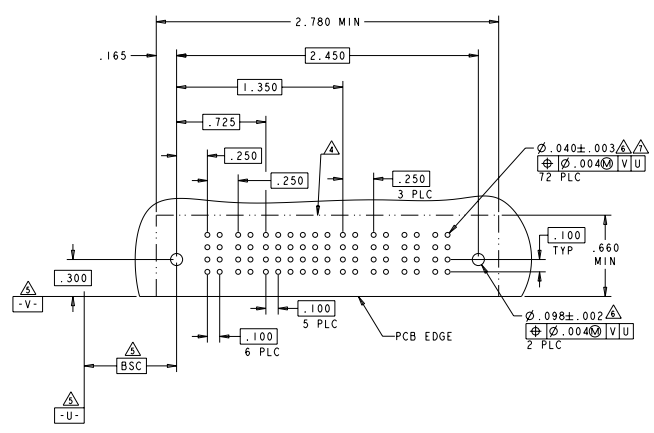
| REV | DATE | DESCRIPTION | BY | CHK |
|-----|------|-------------|----|-----|
| ES | 00 | SEE SHEET 1 | | |

| PART NUMBER | ROWS | POWER | | | | | | SIGNAL | | | | | | POWER | | | | | | | | | | | |
|-------------|------|-------|----|---|---|---|---|--------|---|----|----|----|----|-------|---|---|---|---|---|----|----|----|-----|--|----|
| | | P1 | P2 | 1 | 2 | 3 | 4 | 5 | 6 | P3 | P4 | P5 | P6 | 1 | 2 | 3 | 4 | 5 | 6 | P7 | P8 | P9 | P10 | | |
| 5-6450120-3 | D | | | | | | | J | J | J | J | J | J | | | | | | | | | | | | |
| | C | | | | | | | K | K | K | K | K | K | | | | | | | | | | | | |
| | B | | | | | | | N | N | N | N | N | N | | | | | | | | | | | | |
| | A | HD | | | | | | S | S | S | S | S | S | | | | | | | | | | | | HD |

2P * 24S * 4P

| PART NUMBER | ROWS | POWER | | | | | | SIGNAL | | | | | | POWER | | | | | | | | | | | |
|-------------|------|-------|----|----|----|----|----|--------|---|---|---|---|---|-------|----|----|-----|---|---|---|---|---|---|----|----|
| | | P1 | P2 | P3 | P4 | P5 | P6 | P7 | 1 | 2 | 3 | 4 | 5 | 6 | P8 | P9 | P10 | 1 | 2 | 3 | 4 | 5 | 6 | P7 | P8 |
| 5-6450120-5 | D | | | | | | | J | J | J | J | J | J | | | | | | | | | | | | |
| | C | | | | | | | K | K | K | K | K | K | | | | | | | | | | | | |
| | B | | | | | | | N | N | N | N | N | N | | | | | | | | | | | | |
| | A | HD | | | | | | S | S | S | S | S | S | | | | | | | | | | | | HD |

1P * 8S * 3ACP



| UNIT | CONVERSION | CONVERSION | CONVERSION | CONVERSION | CONVERSION |
|--------|-------------|-------------|-------------|-------------|-------------|
| INCHES | MILLIMETERS | MILLIMETERS | MILLIMETERS | MILLIMETERS | MILLIMETERS |
| 1.0000 | 25.4000 | 0.03937 | 0.03937 | 0.03937 | 0.03937 |

5-6450120-3 **5-6450120-5**
RIGHT ANGLE HEADER W/GUIDES ASSEMBLY
MULTI-BEAM XL
 DATE: 08/11/2016
 DRAWN: 00778
 CHECKED: 00778
 CUSTOMER DRAWING
 TITLE: 5-6450120
 SHEET: 1 OF 17