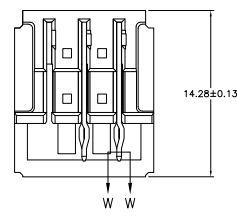
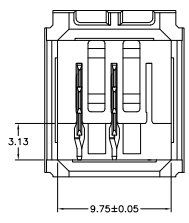
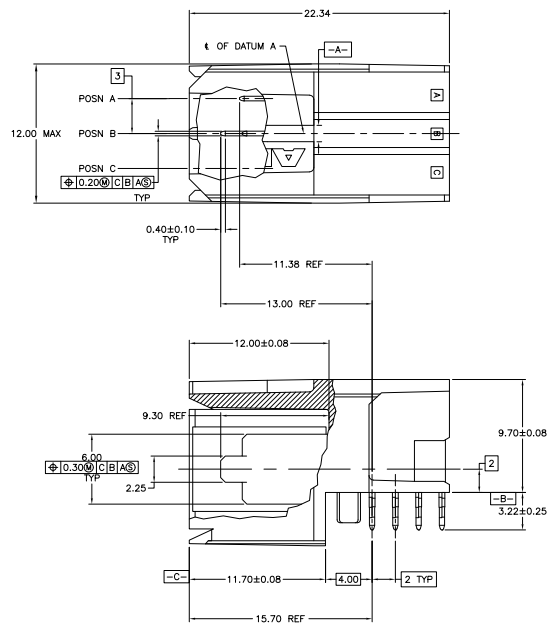
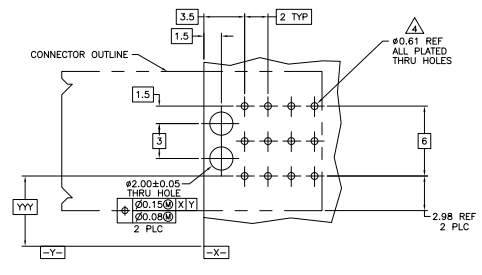


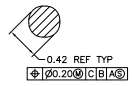
REV	DATE	DESCRIPTION	BY	CHK	APP
AD	00				
		REVISED PER EDD-11-00046			



- △ MATERIAL: HOUSING: POLYESTER, COLOR: GRAY, UL 94V-0. CONTACT: PHOSPHOR BRONZE.
- △ FINISH: CONTACT MATING AREA: 1.27µm MIN GOLD OR 0.08µm MIN GOLD OVER 0.76µm PALLADIUM-NICKEL. ACTION PIN AREA: 0.5µm MIN TIN PLATE, ALL OVER 1.27µm MIN NICKEL UNDERPLATE.
- △ FINISH: CONTACT LUBRICATION WITH BELLCORE APPROVED LUBRICANT. TECHNICAL REFERENCE: TR-NWT-001217, ISSUE 1, NOVEMBER 1992.
- △ REFERENCE APPLICATION SPEC 114-1103 FOR RECOMMENDED PLATED THRU HOLE DIAMETER AND PLATING THICKNESS.
- 5. CURRENT RATING 10A/CONTACT PER PRODUCT SPEC 108-1651.



RECOMMENDED PCB HOLE LAYOUT



SECTION W-W
SCALE 40:1

B		A		2	120974-1
POSITIONS LOADED WITH 9.30 REF CONTACTS		POSITIONS LOADED WITH 7.68 REF CONTACTS		NO OF LOADED POSITIONS	PART NUMBER
THIS DRAWING IS A CONTROLLED DOCUMENT.					
DESIGNER	DATE	BY	DATE	CHKD	DATE
DR	01/01/92	AD	01/01/92		
CHKD		CHKD			
APPD		APPD			
CUSTOMER DRAWING		ASSEMBLY, RIGHT ANGLE HEADER, W/ RETENTION PEGS, UNIVERSAL POWER MODULE		SIZE	DATE
		A1 00779		DATE	120974
		G=120974		REV	1
				REV	1
				REV	1
				REV	1