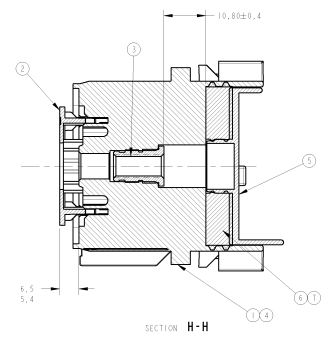
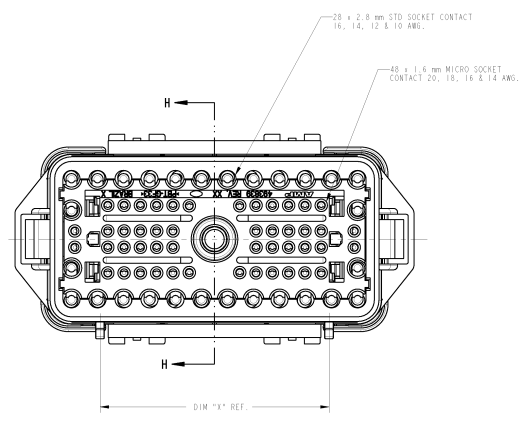
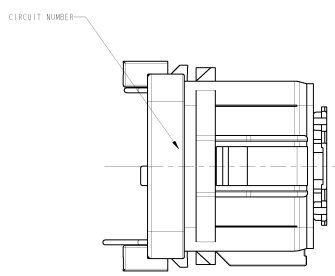


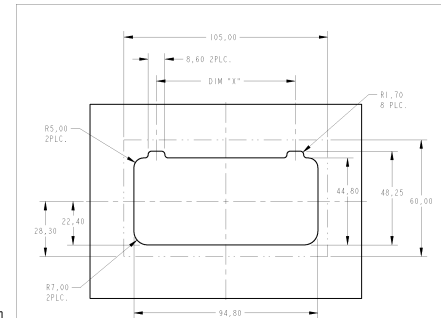
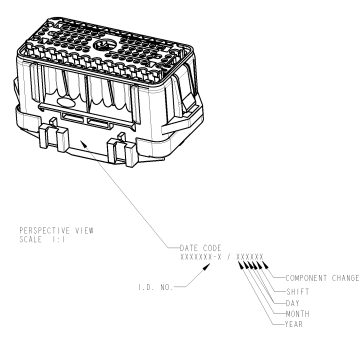
APPROVED BY:	DESIGNED BY:
[Signature]	[Signature]

REVISED DESIGN		REVISIONS			
NO	DATE	DESCRIPTION	BY	CHK	APP
01		DESIGN	ECG-03-003890	WARRIOR	NCL
02		REVISÃO	ECO-10-001844	WARRIOR	NCL



KEY	DIM "X"	PART NUMBER	POLARIZATION
⚠	B	71.50	1599186-6
⚠	B	71.50	1599186-5
⚠	B	71.50	1599186-4
⚠	A	59.00	1599186-3
⚠	B	71.50	1599186-2
⚠	A	59.00	1599186-1

- | | |
|--|--|
| <p>1 - PARA ASSEGURAR A COMPATIBILIDADE FUNCIONAL ENTRE AS PEÇAS, ELAS DEVEM SER FERRAMENTADAS JUNTAS E MANUFATURADAS POR UM MESMO PROVEDOR.</p> <p>2 - 1599186 HOSE ASSY 76 POSN PIN CONTACT) DEVE MONTAR COM 1599186 HOSE ASSY 76 POSN SOCKET CONTACT) APROPRIADAMENTE.</p> <p>3 - AS PEÇAS DEVEM ENCAIXAR COMPLETAMENTE USANDO-SE TORQUE NO PARAFUSO DE 4.8±0.8 Nm.</p> <p>4 - PARA EXTRAÇÃO DO TERMINAL UTILIZAR FERRAMENTA CONFORME TÊ SPEC 4111-37031</p> <p>⚠ - POLARIZAÇÃO "KEY A"</p> <p>⚠ - POLARIZAÇÃO "KEY B"</p> <p>1 - NÃO USAR FIO DE 20 AWG ISOLAÇÃO FINA.</p> <p>⚠ - SOMENTE PROTÓTIPO.</p> | <p>1 - TO ENSURE FUNCTIONAL COMPATIBILITY BETWEEN PARTS THEY MUST BE TOOLED TOGETHER AND MOUNTED BY A SINGLE SOURCE.</p> <p>2 - 1599186 HOSE ASSY 76 POSN PIN CONTACT) MUST MATE PROPERLY WITH 1599186 HOSE ASSY 76 POSN SOCKET CONTACT).</p> <p>3 - PARTS MUST FULLY MATE USING 4.8±0.8 Nm TORQUE ON BOLT.</p> <p>4 - FOR TERMINAL EXTRACTION TOOL, SEE TÊ SPEC 4111-37031</p> <p>⚠ - POLARIZATION "KEY A"</p> <p>⚠ - POLARIZATION "KEY B"</p> <p>1 - DO NOT USE 20 AWG THIN WALL INSULATION WIRE.</p> <p>⚠ - PROTOTYPE ONLY!</p> |
|--|--|



OBSOLETE

QTY	ITEM	DESCRIPTION	MATERIAL	FINISH
1	1	GRONMET 76 POSN.	SILICONE	MARRON/BROWN
1	2	GRONMET WIRE SEAL	SILICONE	AZUL/BLUE
1	3	COVER 16 POSN. - WIRE SEAL	PBT 332 GF	NATURAL
1	4	HSGE 16 POSN SOCKET CONTACT FEMALE	PBT 332 GF	PRETO/BLACK
1	5	NUT 6 mm	LATAD/BRASS	---
1	6	SPACER 76 POSN SOCKET CONTACT	PBT 332 GF	VERMELH/RED
1	7	HSGE 76 POSN SOCKET CONTACT FEMALE	PBT 332 GF	NATURAL

TOTAL		HOLE/PART NUMBER	
76	1599186-6	76	1599186-5
76	1599186-4	76	1599186-3
76	1599186-2	76	1599186-1

7- You Electronics 7YOU ELECTRONICS DA BRAS LTA
S/O Paulo - Brasil

ITEM: HOUSING ASSY 76 POSN SOCKET CONTACT

QTY: 100178 CO=1599186

REV: 2-1 DATE: 10/07/11