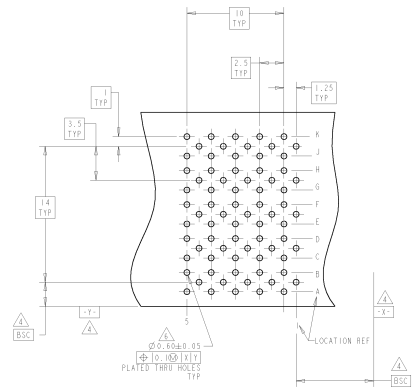
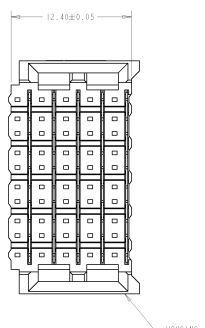


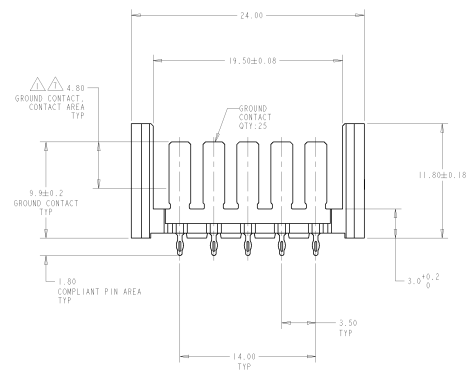
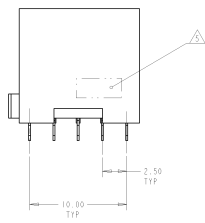
8	7	6	5	4	3	2	1
DATE REVISIONS	REVISIONS						
DATE	DESCRIPTION	BY	CHKD	APPD			

REV	DATE	DESCRIPTION	BY	CHKD	APPD
A	0818-0276-01	REVISED PER 0818-0276-01	DLBHH	DAS	B.JH
B	0818-0078-01	REVISED PER 0818-0078-01	DLBHH	DAS	BAP
-	-	-	-	-	-
-	-	-	-	-	-

- △ GOLD FLASH OVER 0.75µm MIN PALLADIUM NICKEL OVER 1.27µm MIN NICKEL ON CONTACT AREA
0.5µm MIN TIN LEAD OVER 1.27µm MIN NICKEL ON COMPLIANT PIN AREA
- △ PHOSPHOR BRONZE
- △ GLASS FILLED POLYESTER
- △ DATUMS AND BASIC DIMENSIONS ESTABLISHED BY CUSTOMER
- △ CONNECTOR MARKED WITH PART NUMBER AND DATE CODE
- △ DRILLED HOLE DIAMETER 0.740-0.025
FINISHED HOLE DIA 0.500-0.05 REF
COPPER THICKNESS 0.025-0.050
TIN LEAD THICKNESS 0.004-0.0100
- △ CONTACT AREA LUBRICATED WITH BELLORE APPROVED LUBRICATION
TECHNICAL REFERENCE: GR-1017-CORE, ISSUE 1, NOVEMBER 1999



RECOMMENDED
PRINTED CIRCUIT BOARD
LAYOUT
COMPONENT SIDE OF PRINTED CIRCUIT BOARD



120750-1
PART NUMBER

PART NUMBER: 120750-1 REV: A DATE: 0818-0078-01 DESCRIPTION: SHROUD ASSEMBLY, 50 POSITION, 10 ROW, BACKPLANE CONNECTOR, Z-PACK HCS	MANUFACTURER: Tyco Electronics ADDRESS: Harrisburg, PA 17105-1800 PHONE: 717-534-2000 FAX: 717-534-2001 WEBSITE: www.tycoelectronics.com	PART NUMBER: 120750-1 REV: A DATE: 0818-0078-01 DESCRIPTION: SHROUD ASSEMBLY, 50 POSITION, 10 ROW, BACKPLANE CONNECTOR, Z-PACK HCS
---	--	---