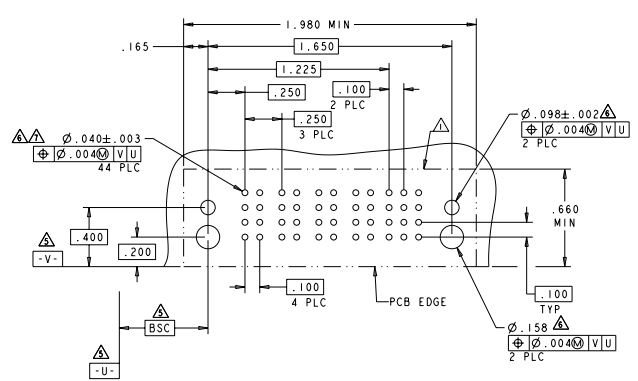
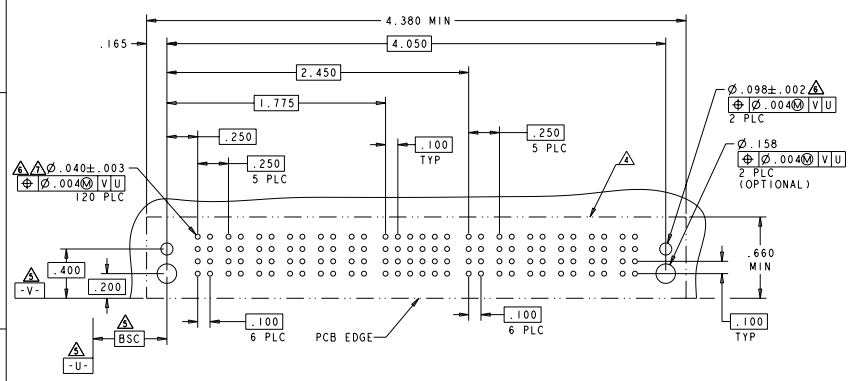


REV	DATE	REVISIONS	BY	CHK	APP
00		SEE SHEET 1			

PART NUMBER	ROWS	POWER					SIGNAL						POWER								
		P1	P2	P3	P4	P5	P6	1	2	3	4	5	6	P7	P8	P9	P10	P11	P12		
6450128-8	D C B A	PM	PM	PM	PM	PM	E	E	E	E	E	J	PM	PM	PM	PM	PM	PM			
							G	G	G	G	G										
							S	H	H	H	H										
		(HD)																			
		6P + 24S + 6P																			

PART NUMBER	ROWS	POWER				SIGNAL		
		P1	P2	P3	P4	1	2	3
6450128-9	D C B A	PM	PM	PM	PM	K	K	K
						N	N	N
						S	S	S
		(HD)						
		4P + 12S + 0P						



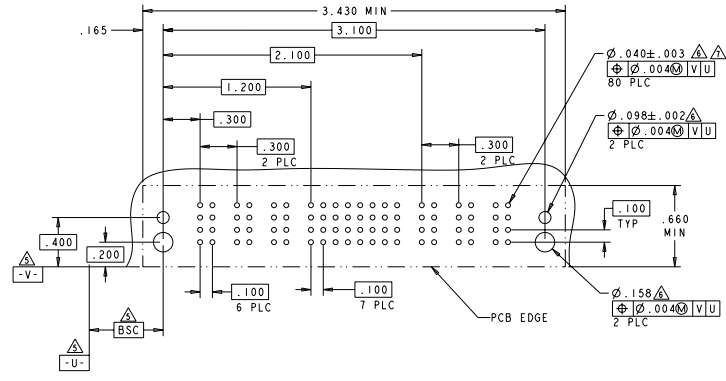
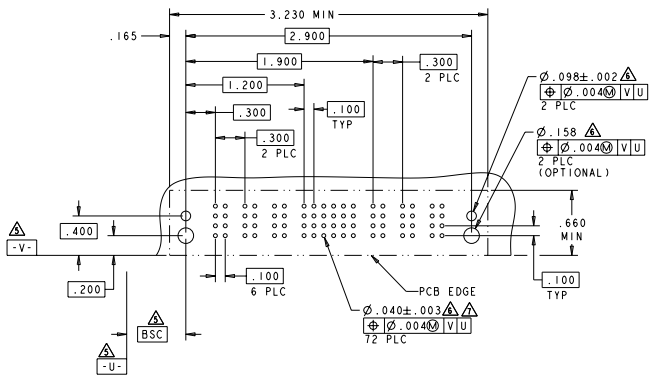
DIMENSIONS IN INCHES UNLESS OTHERWISE SPECIFIED DECIMALS: .0005 FRACTIONS: 1/16, 1/8, 1/4, 3/8, 1/2, 5/8, 3/4, 7/8, 1		TOLERANCES: DIMENSIONS .0005 .001 .002 .005 .010 .015 .030 .050 .100 .150 .300 .500 1.000 1.500 2.000 3.000 4.000 5.000 6.000 8.000 10.000 15.000 20.000 30.000 40.000 50.000 60.000 80.000 100.000 150.000 200.000 300.000 400.000 500.000 600.000 800.000 1000.000		TECH ELECTRONICS CORPORATION HARRISBURG, PA 17105-3600 RIGHT ANGLE HEADER ASSEMBLY W/LEAD LATCHES MULTI-BEAM XL SIZE: 1.980 X 1.650 X .660 PART: 6450128 REV: 00778 DATE: 11-13-98 DRAWN BY: [blank] CHECKED BY: [blank] APPROVED BY: [blank]	
--	--	---	--	--	--

DATE: 08/15/2018 BY: PACE ELECTRONICS CORPORATION ALL RIGHTS RESERVED

REV	DATE	DESCRIPTION	BY	CHK
00		SEE SHEET 1		

PART NUMBER	ROWS	POWER			SIGNAL						POWER		
		P1	P2	P3	1	2	3	4	5	6	P4	P5	P6
1-6450128-0	D	PM	PM	PM	J	J	J	J	J	J	J	J	J
	C				K	K	K	K	K	K	K	K	K
	B				N	N	N	N	N	N	N	N	N
	A				S	S	S	S	S	S	S	S	S
3ACP + 24S + 3ACP													

PART NUMBER	ROWS	POWER			SIGNAL						POWER		
		P1	P2	P3	1	2	3	4	5	6	7	8	P4
1-6450128-1	D				J	J	J	J	J	J	J	J	J
	C	PM	PM	PM	K	K	K	K	K	K	K	K	K
	B				N	N	N	N	N	N	N	N	N
	A	HD			S	S	S	S	S	S	S	S	S
3ACP + 32S + 3ACP													



PART NUMBER: 1-6450128-0 INCHES: 0.0010 MATERIAL: 0.0312 FINISH: 0.0008	QUANTITY: 1000 DATE: 08/15/2018 BY: PACE ELECTRONICS CORPORATION	APPROVED: [Signature] TITLE: [Title]	CUSTOMER: [Customer Name] PART NUMBER: 1-6450128-0 REV: A DATE: 08/15/2018	TITLE: RIGHT ANGLE HEADER ASSEMBLY W/LEAD LATCHES MULTI-BEAM XL SHEET: 1 OF 1
--	--	---	---	--