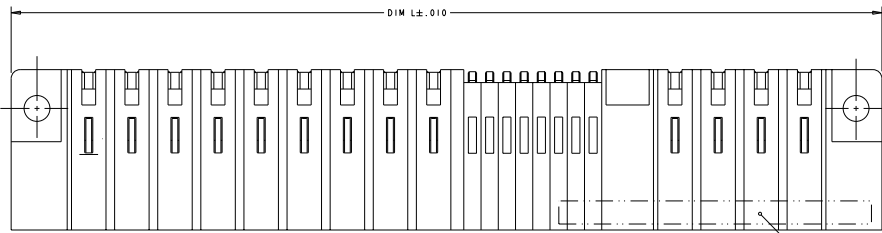
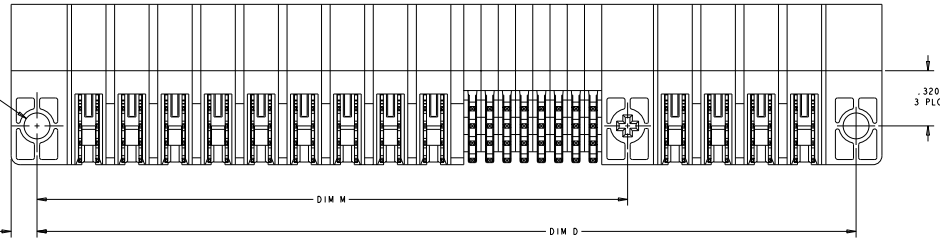
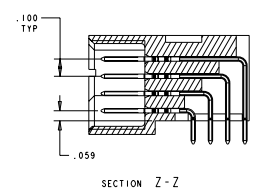
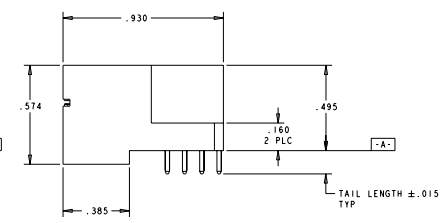
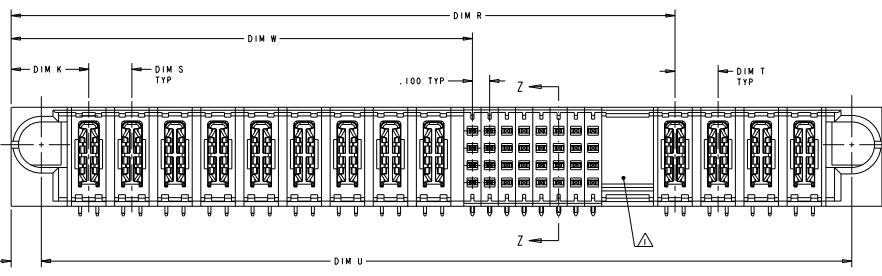


REV. NO.		REVISIONS	
DATE	BY	DESCRIPTION	APP'D.
04/10/89	ES	REV PER ECR-10-007489	DL SF
05/10/89	ES	ADDED NEW DASH NUMBER -61.	IL SF
06/10/89	ES	REV PER ECR-10-019227	IL JC



- △ OPTIONAL CENTER MODULE WITH Ø.150 THRU HOLE OR HOLD DOWN FEATURE.
- △ "AMP" PART NUMBER, AND DATECODE TO BE MARKED IN AREA SHOWN. PARTS UNDER 2.00 LONG MAY BE MARKED ON BOTH SIDES.
- △ MATERIAL: HOUSING - GLASS FILLED HIGH TEMP THERMO PLASTIC, UL94 V-0
 SIGNAL CONTACT - COPPER ALLOY
 POWER CONTACT - HIGH CONDUCTIVITY COPPER ALLOY
- △ CONTACT PLATING: SIGNAL CONTACTS - .000050 MIN Ni UNDER ALL, .000030 MIN Au ON CONTACT AREA, .000100 MIN Sn AT PCB INTERFACE.
 POWER CONTACTS - .000050 MIN Ni UNDER ALL, .000030 MIN Au AT CONTACT AREA, .000100 MIN Sn AT PCB INTERFACE.
- △ MECHANICAL CONNECTOR KEEP OUT ZONE.
- △ DATUM AND BASIC DIMENSIONS ESTABLISHED BY CUSTOMER.
- △ PCB - HOLE DIAMETERS ARE FINISHED HOLE SIZE.
- △ PCB - .0453±.0010 DRILLED HOLES PLATED WITH .0003 MIN Sn OVER .001 TO .003 Cu PLATING TO ACHIEVE A .040 DIA HOLE.
- △ VARIABLE DIMENSIONS SHOWN ON VIEW (SHEET 5,111)



TITLE: RIGHT ANGLE SOLDER TAILS, W/GUIDES MULTI-BEAM HL PART NO: 00778 ©-6450330 CUSTOMER DRAWING		DATE: 06/10/89 DRAWN BY: J. LEICHERKE CHECKED BY: J. LEICHERKE APPROVED BY: J. LEICHERKE PART NO: 00778 ©-6450330		TYP. ELECTRONICS CORPORATION Skaneateles, P.O. Box 200230	
---	--	---	--	--	--

8 7 6 5 4 3 2 1
 TITLE SHEET TO DIMENSIONS REVISIONS FOR FABRICATION
 BY TECH ELECTRONICS CORPORATION ALL RIGHTS RESERVED

REV	DATE	DESCRIPTION	BY	CHK	APP
ES	00				

NO	U	S	T	R	W	D	M	L	K	DESCRIPTION	PART NUMBER
2.300	.250	.250	1.700	1.175	2.350	-	2.650	.450	3P + 16S + 3P	6-6450330-1	
7.350	Δ	Δ	5.225	3.925	7.400	-	7.700	.475	12P + 48S + 8P	6-6450330-0	
2.600	.250	.250	2.250	1.925	2.650	-	2.950	.450	6P + 8S + 2P	5-6450330-9	
4.500	.300	.300	2.875	2.175	4.550	-	4.850	.475	6ACP + 24S + 6ACP	5-6450330-8	
2.400	.200	.200	2.100	.825	2.450	-	2.750	.450	2P + 48S + 2P	5-6450330-7	
1.700	.250	.250	1.350	.875	1.750	-	2.050	.450	2P + 16S + 2P	5-6450330-6	
1.200	-	-	1.100	.625	1.250	-	1.550	.450	1P + 16S + 1P	5-6450330-5	
3.550	.200	Δ	2.225	1.925	3.600	-	3.900	.500	7P + 8S + 7P	5-6450330-4	
2.900	.250	.250	2.050	1.375	2.950	-	3.250	.450	4P + 24S + 4P	5-6450330-3	
2.400	.250	.250	1.800	1.125	2.450	-	2.750	.450	3P + 24S + 3P	5-6450330-2	
1.700	.250	.250	1.350	.875	1.750	-	2.050	.450	2P + 16S + 2P	5-6450330-1	
2.800	.250	.300	2.075	1.375	2.850	-	3.150	.450	4P + 24S + 3ACP	5-6450330-0	
1.700	.250	.250	1.350	.875	1.750	-	2.050	.450	2P + 16S + 2P	4-6450330-9	
1.575	.250	.250	1.425	.700	1.625	-	1.925	.475	1P + 24S + 1P	4-6450330-7	
1.600	.250	.250	1.250	.925	1.650	-	1.950	.450	2P + 8S + 2P	4-6450330-6	
2.400	.250	.250	2.050	1.375	2.450	-	2.750	.450	4P + 24S + 2P	4-6450330-2	
2.400	.250	.250	1.800	1.125	2.450	-	2.750	.450	3P + 24S + 3P	3-6450330-9	
3.000	.250	.250	2.150	1.425	3.050	-	3.350	.450	4P + 24S + 4P	3-6450330-7	
2.400	.250	.250	1.550	.875	2.450	-	2.750	.450	2P + 24S + 4P	3-6450330-5	
.700	-	-	-	.375	.750	-	1.050	-	0P + 16S + 0P	3-6450330-1	
2.800	.300	.250	1.950	1.275	2.850	-	3.150	.475	3ACP + 24S + 4P	2-6450330-8	
2.800	.300	.300	2.075	1.325	2.850	-	3.150	.475	3ACP + 24S + 3ACP	2-6450330-6	
3.300	.250	.250	2.450	1.375	3.350	-	3.650	.450	4P + 40S + 4P	2-6450330-3	
2.700	.200	.200	2.000	1.225	2.750	-	3.050	.450	4P + 28S + 4P	1-6450330-8	
2.000	.250	.250	1.650	.925	2.050	-	2.350	.450	2P + 24S + 2P	1-6450330-4	
3.150	.250	.250	2.300	1.625	3.200	-	3.500	.450	5P + 24S + 4P	1-6450330-3	
.900	-	-	-	.375	.950	-	1.250	-	0P + 24S + 0P	1-6450330-2	
1.575	.250	.250	1.425	.700	1.625	-	1.925	.475	1P + 24S + 1P	1-6450330-1	
4.000	Δ	Δ	2.750	2.075	4.050	-	4.350	.450	2ACP + 5P + 24S + 6P	1-6450330-0	
2.800	.250	.250	1.950	1.375	2.850	-	3.150	.450	4P + 20S + 4P	6450330-9	
1.575	.250	.250	1.425	.700	1.625	-	1.925	.475	1P + 24S + 1P	6450330-8	
3.300	.300	.250	1.950	1.275	3.350	-	3.650	.475	3ACP + 24S + 6P	6450330-7	
1.900	NA	NA	.975	.625	1.950	-	2.250	.450	1P + 12S + 5P	6450330-6	
4.000	NA	NA	2.750	2.075	4.050	-	4.350	.450	3ACP + 4P + 24S + 6P	6450330-5	
2.550	.300	.250	2.150	1.525	2.600	-	2.900	.475	3ACP + 1P + 24S + 2P	6450330-4	
4.350	.250	.250	3.500	2.625	4.400	-	4.700	.450	9P + 32S + 4P	6450330-3	
1.575	.250	.250	1.425	.700	1.625	-	1.925	.475	1P + 24S + 1P	6450330-1	

DIMENSIONS IN INCHES DIMENSIONS IN MILLIMETERS DIMENSIONS IN METERS		DIMENSIONS IN INCHES DIMENSIONS IN MILLIMETERS DIMENSIONS IN METERS		DIMENSIONS IN INCHES DIMENSIONS IN MILLIMETERS DIMENSIONS IN METERS	
DIMENSIONS IN INCHES DIMENSIONS IN MILLIMETERS DIMENSIONS IN METERS		DIMENSIONS IN INCHES DIMENSIONS IN MILLIMETERS DIMENSIONS IN METERS		DIMENSIONS IN INCHES DIMENSIONS IN MILLIMETERS DIMENSIONS IN METERS	
DIMENSIONS IN INCHES DIMENSIONS IN MILLIMETERS DIMENSIONS IN METERS		DIMENSIONS IN INCHES DIMENSIONS IN MILLIMETERS DIMENSIONS IN METERS		DIMENSIONS IN INCHES DIMENSIONS IN MILLIMETERS DIMENSIONS IN METERS	
DIMENSIONS IN INCHES DIMENSIONS IN MILLIMETERS DIMENSIONS IN METERS		DIMENSIONS IN INCHES DIMENSIONS IN MILLIMETERS DIMENSIONS IN METERS		DIMENSIONS IN INCHES DIMENSIONS IN MILLIMETERS DIMENSIONS IN METERS	

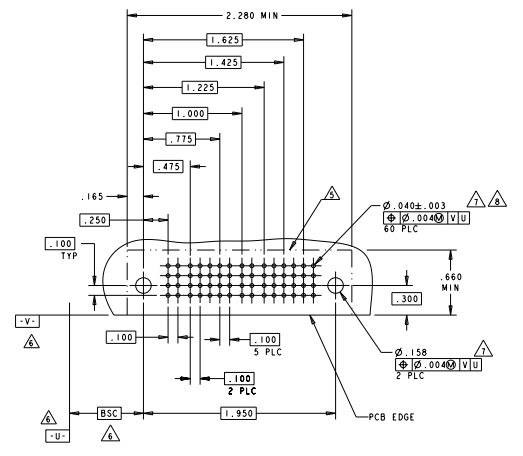
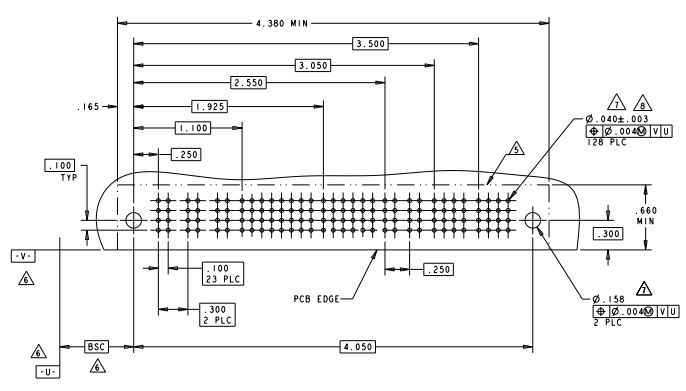
TITLE: RIGHT ANGLE HEADER ASSEMBLY
 SOLDER TAILS, W/GUIDES
 MULTI-BEAM XL
 DATE: 00778
 CUSTOMER DRAWING: 6450330

REV	DATE	DESCRIPTION	BY	CHK
ES	00	SEE SHEET 1		

PART NUMBER	ROWS	POWER						SIGNAL						POWER					
		P1	P2	P3	P4	P5	P6	1	2	3	4	5	6	P8	P9	P10	P11	P12	P13
6450330-5	D C B A	PM	PM	PM	PM	PM	PM	J	J	J	J	J	J	PM	PM	PM	PM	PM	PM
3ACP + 4P + 24S + 6P																			

PART NUMBER	ROWS	POWER		SIGNAL			POWER	
		P1	P2	1	2	3	P4	P5
6450330-6	D C B A	PM	PM	K	K	K	PM	PM
IP + 12S + 5P								

.225
.200
2 PLC



DIMENSIONS: INCHES DECIMALS: 0.0005 TOLERANCES: AS SHOWN FINISH: 60/30 SURFACE: 100-100 SPECIFICATION: 116-13038 REVISION: A	28PERS 28PERS W. PEICHERNE 168-1813 116-13038 00778 CUSTOMER DRAWING	Type Electronics Corporation Saugus, P.O. Box 200230 RIGHT ANGLE HEADER ASSEMBLY SOLDER TAILS, W/GUIDES MULTI-BEAM XL SIZE: 116-13038 REV: A DATE: 00778 QTY: 6450330 SHEET: 4 OF 16
--	--	--

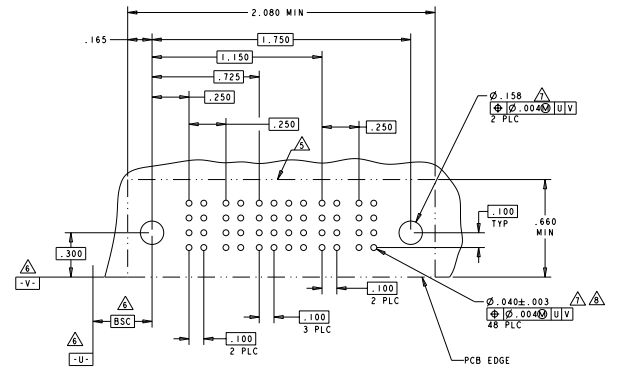
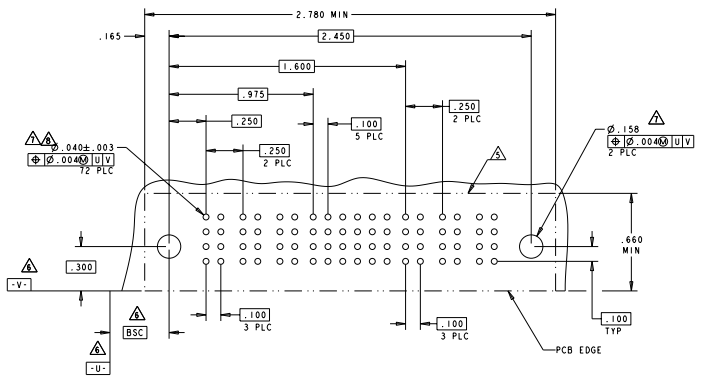
REV	DATE	DESCRIPTION	BY	CHK
ES	00	SEE SHEET 1		

PART NUMBER	ROWS	POWER						SIGNAL						POWER					
		P1	P2	P3	P4	P5	P6	1	2	3	4	5	6	P4	P5	P6			
3-6450330-9	D	PM	PM	PM	PM	PM	PM	J	J	J	J	J	J	PM	PM	PM			
	C	PM	PM	PM	PM	PM	PM	F	F	F	F	F	F	PM	PM	PM			
	B	PM	PM	PM	PM	PM	PM	N	N	N	N	N	N	PM	PM	PM			
	A	PM	PM	PM	PM	PM	PM	S	S	S	S	S	S	PM	PM	PM			

3P + 24S + 3P

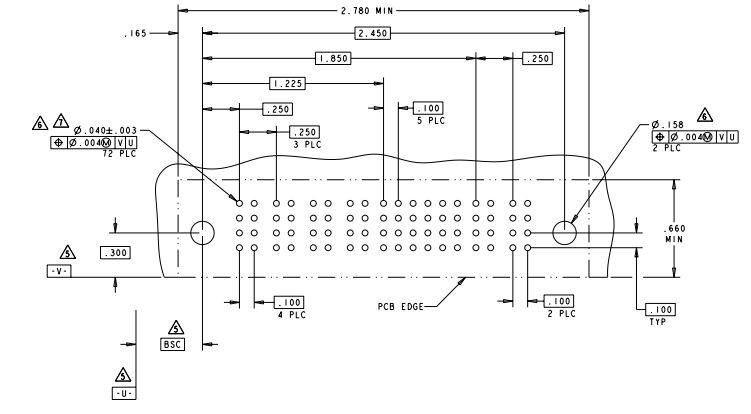
PART NUMBER	ROWS	POWER						SIGNAL						POWER					
		P1	P2	P3	P4	P5	P6	1	2	3	4	5	6	P3	P4				
4-6450330-9	D	PM	PM	PM	PM	PM	PM	J	J	J	J	J	J	PM	PM				
	C	PM	PM	PM	PM	PM	PM	F	F	F	F	F	F	PM	PM				
	B	PM	PM	PM	PM	PM	PM	N	N	N	N	N	N	PM	PM				
	A	PM	PM	PM	PM	PM	PM	S	S	S	S	S	S	PM	PM				

2P + 16S + 2P



PART NUMBER	ROWS	POWER						SIGNAL						POWER					
		P1	P2	P3	P4	P5	P6	1	2	3	4	5	6	P5	P6				
4-6450330-2	D	PM	PM	PM	PM	PM	PM	J	J	J	J	J	J	PM	PM				
	C	PM	PM	PM	PM	PM	PM	F	F	F	F	F	F	PM	PM				
	B	PM	PM	PM	PM	PM	PM	N	N	N	N	N	N	PM	PM				
	A	PM	PM	PM	PM	PM	PM	S	S	S	S	S	S	PM	PM				

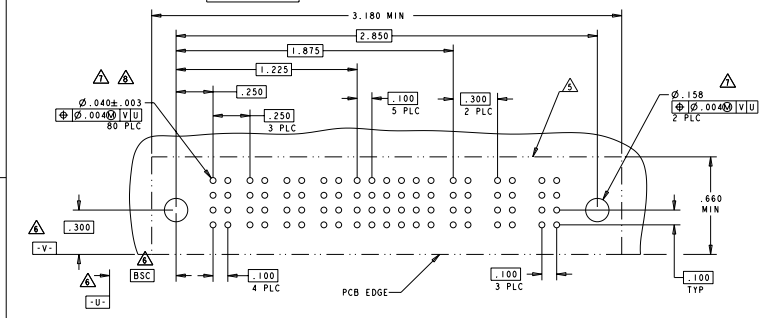
4P + 24S + 2P



DIMENSIONS: INCHES DECIMALS: 0.0005 TOLERANCES: .0005 FINISH: 100-1000 SPECIFICATION: MIL-STD-883C WEIGHT: 0.0005 MATERIAL:	28PERS W. PEICHERKE 100-1000 116-13030 00779 ©-6450330	Type Electronics Corporation Skaneateles, P.O. Box 200230 RIGHT ANGLE HEADER ASSEMBLY SOLDER TAILS, W/GUIDES MULTI-BEAM XL PART NUMBER: 6450330 CUSTOMER DRAWING
---	--	--

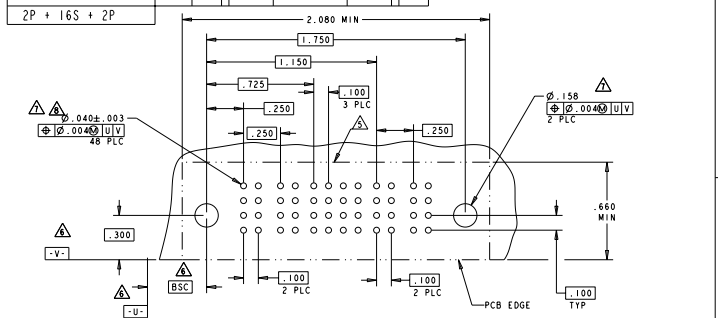
PART NUMBER	ROWS	POWER				SIGNAL						POWER					
		P1	P2	P3	P4	1	2	3	4	5	6	P5	P6	P7			
5-6450330-0	D C B A	PM	PM	PM	PM	J	J	J	J	J	J	J	J	J	PM	PM	PM
						K	K	K	K	K	K	K	K	K			
						N	N	N	N	N	N	N	N	N			
						S	S	S	S	S	S	S	S	S			

4P + 24S + 3ACP



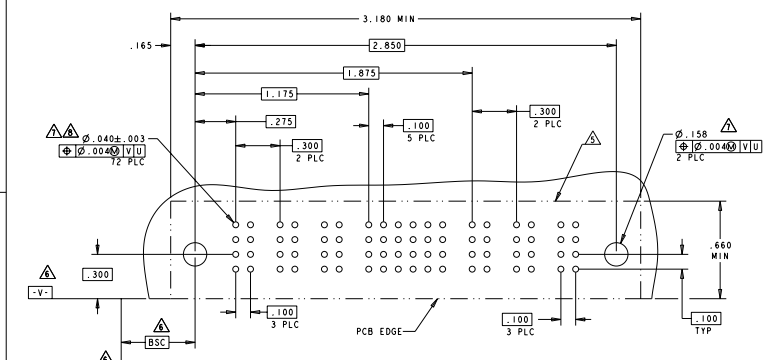
PART NUMBER	ROWS	POWER				SIGNAL				POWER	
		P1	P2	P3	P4	1	2	3	4	P5	P6
5-6450330-1	D C B A	PM	PM	PM	PM	J	J	J	J	PM	PM
						K	K	K	K		
						N	N	N	N		
						S	S	S	S		

2P + 16S + 2P



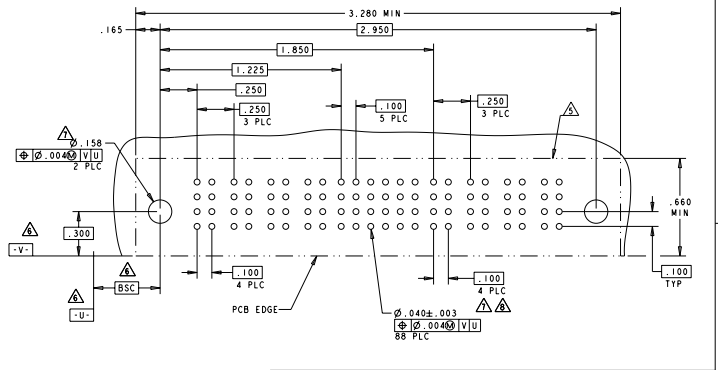
PART NUMBER	ROWS	POWER			SIGNAL						POWER					
		P1	P2	P3	1	2	3	4	5	6	P4	P5	P6			
2-6450330-6	D C B A	PM	PM	PM	J	J	J	J	J	J	J	J	J	PM	PM	PM
					K	K	K	K	K	K	K	K	K			
					N	N	N	N	N	N	N	N	N			
					S	S	S	S	S	S	S	S	S			

3ACP + 24S + 3ACP



PART NUMBER	ROWS	POWER				SIGNAL						POWER						
		P1	P2	P3	P4	1	2	3	4	5	6	P5	P6	P7	P8			
5-6450330-3	D C B A	PM	PM	PM	PM	J	J	J	J	J	J	J	J	J	PM	PM	PM	PM
						K	K	K	K	K	K	K	K	K				
						N	N	N	N	N	N	N	N	N				
						S	S	S	S	S	S	S	S	S				

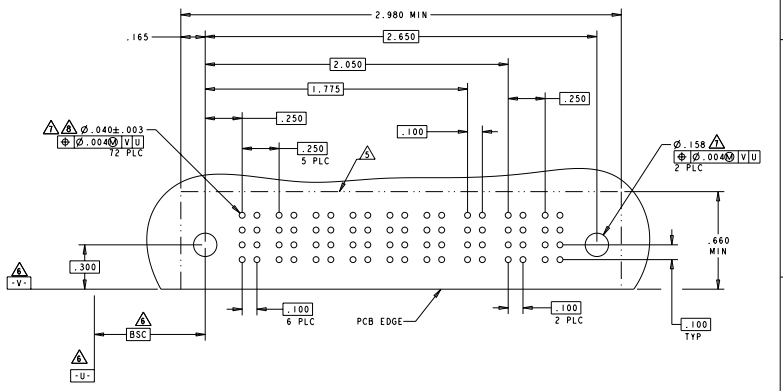
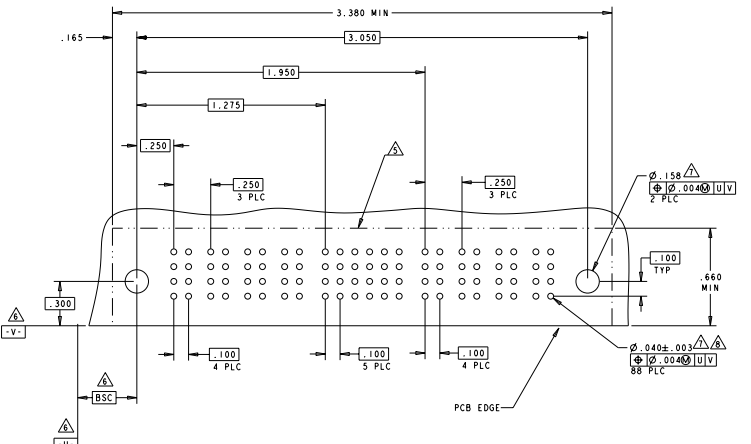
4P + 24S + 4P



DIMENSIONS: INCHES DECIMALS: 0.001 FRACTIONS: 1/16	TYPICAL DIMENSIONS: 208005 DIMENSIONS: 208005 FINISH: 100-1013 SPECIFICATION: 114-13038 REVISION: A	RIGHT ANGLE HEADER ASSEMBLY SOLDER TAILS, W/ GUIDES MULTI-BEAM XL STATE: CA DATE: 00778 CUSTOMER DRAWING: 6450330	Type Electronics Corporation Skaneateles, P.O. Box 200230
--	---	--	--

PART NUMBER	ROWS	POWER				SIGNAL						POWER			
		P1	P2	P3	P4	1	2	3	4	5	6	P5	P6	P7	P8
3-6450330-7	D C B A	PM	PM	PM	PM	J	J	J	J	J	J	PM	PM	PM	PM
4P + 24S + 4P						H	N	N	N	N	N				

PART NUMBER	ROWS	POWER						SIGNAL		POWER	
		P1	P2	P3	P4	P5	P6	1	2	P7	P8
5-6450330-9	D C B A	PM	PM	PM	PM	PM	PM	J	J	PM	PM
6P + 8S + 2P								N	N		



INCHES	0.001 INCHES	20 PERIODS	TYLER ELECTRONICS CORPORATION
DATE	DESIGNED BY	DR	TYLER ELECTRONICS CORPORATION
168-1813	168-1813	116-13038	TYLER ELECTRONICS CORPORATION
116-13038	116-13038	00778	TYLER ELECTRONICS CORPORATION
CUSTOMER DRAWING	RIGHT ANGLE HEADER ASSEMBLY SOLDER TAILS, W/ GUIDES MULTI-BEAM XL	3-6450330	TYLER ELECTRONICS CORPORATION

