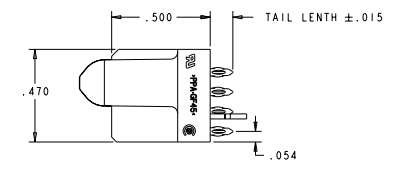
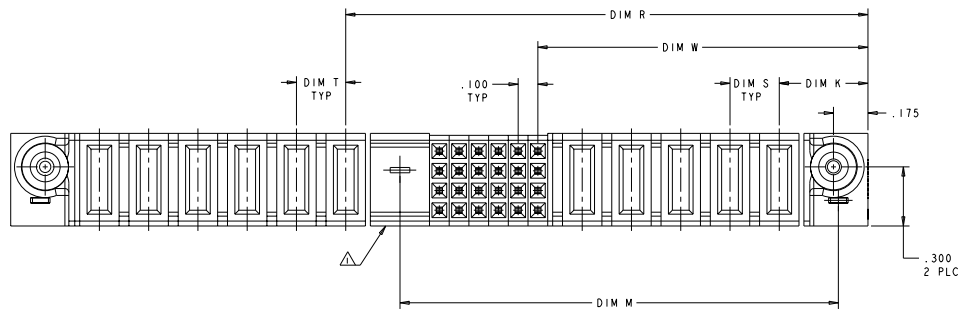
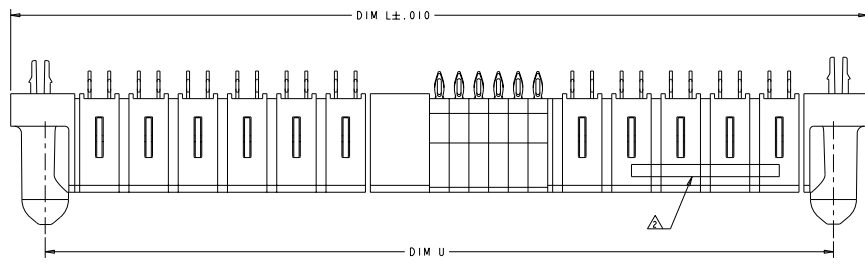
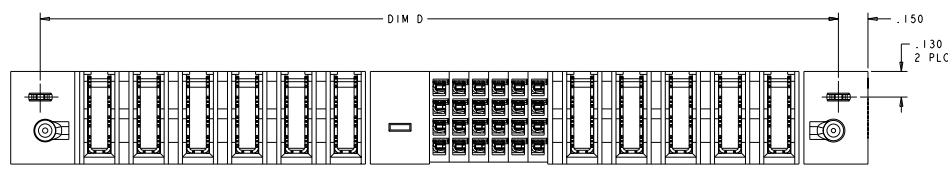


REV	DATE	DESCRIPTION	BY	CHK	APP
00					
J3		REV PER ECR-08-020994	WOLFE	CZ	SF
J4		REV PER ECR-09-022207	PHOENIX	IL	SF
J5		ADDED NEW DASH NUMBER -60	PHOENIX	IL	SF
K		REV PER ECR-09-027083	PHOENIX	IL	SF
K1		ADDED NEW DASH NUMBER -61-62	BLUMBERG	AL	SF
K2		REV PER ECR-10-017886	BLUMBERG	AL	SF
K3		ADDED NEW DASH NUMBER -65	PHOENIX	AY	JMC



- △ OPTIONAL CENTER MODULE, WITH Ø.150 THRU HOLE OR HOLD DOWN FEATURE
- △ "AMP", PART NUMBER AND DATE CODE TO BE MARKED IN AREA SHOWN PARTS UNDER 2.00 LONG MAY BE MARKED ON BOTH SIDES
- △ MATERIAL: HOUSING - GLASS FILLED HIGH TEMP THERMO PLASTIC, UL94 V-0
 SIGNAL CONTACT - HIGH CONDUCTIVITY COPPER ALLOY
 POWER CONTACT - HIGH CONDUCTIVITY COPPER ALLOY
- △ CONTACT PLATING: SIGNAL CONTACTS - .000050 MIN Ni UNDER ALL
 .000030 MIN Au ON CONTACT AREA
 .000100 MIN Sn AT PCB INTERFACE
 POWER CONTACTS - .000050 MIN Ni UNDER ALL
 .000030 MIN Au ON CONTACT AREA
 .000100 MIN Sn AT PCB INTERFACE
- △ MECHANICAL CONNECTOR KEEP OUT ZONE
- △ DATUM AND BASIC DIMENSIONS ESTABLISHED BY CUSTOMER
- △ PCB - ALL HOLE DIAMETERS ARE FINISHED HOLE SIZES
- △ PCB - 0.0453 ± 0.0010 DRILLED HOLES PLATED WITH .0003 MIN Sn OVER .001 TO .003 Cu PLATING TO ACHIEVE A .040 HOLE
- △ VARIABLE DIMENSION SHOWN VIEW (SHEET 6)

TYPHOON ELECTRONICS CORPORATION HARRISBURG, PA 17105-3600		TYPHOON ELECTRONICS CORPORATION HARRISBURG, PA 17105-3600	
DIMENSIONS IN INCHES DECIMALS TO 0.0005 FRACTIONS TO 1/1000 TOLERANCES UNLESS OTHERWISE SPECIFIED	DRAWN BY: J. W. FLECKENBERG CHECKED BY: J. W. FLECKENBERG DATE: 108-1913 PROJECT OR SPEC: 114-13038	TITLE: VERTICAL RECEPTACLE ASSEMBLY WITH GUIDES MULTI-BEAM XL	STATE: PA DATE CODE (YEAR/MO) : 00778 CUSTOMER DRAWING: 6450540

8	7	6	5	4	3	2	1
DATE DRAWING TO BE SUPERSEDED	REVISION FOR FABRICATION						
00	BY TECH ELECTRONICS CORPORATION, ALL RIGHTS RESERVED						

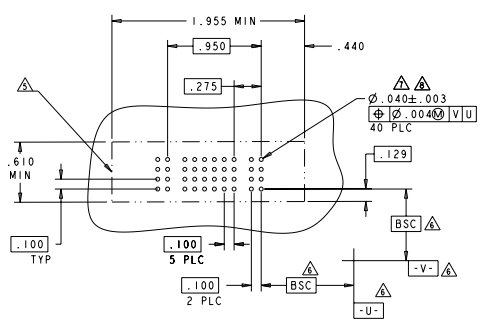
REV	DATE	DESCRIPTION	BY	CHK	APP
00	ES	SEE SHEET 1			

2.500	2.500	.250	.250	1.650	1.375	-	2.85	.450	4P + 8S + 4P	6-6450540-5
1.350	1.300	-	-	1.200	.625	-	1.650	.450	1P + 20S + 1P	6-6450540-2
-	3.300	.200	.200	2.200	1.625	-	3.650	.450	6P + 20S + 6P	6-6450540-1
2.950	2.900	.250	.250	2.050	1.375	-	3.250	.450	4P + 24S + 4P	6-6450540-0
2.050	2.000	.250	.250	1.650	.925	-	2.350	.450	2P + 24S + 2P	5-6450540-9
2.050	2.450	.250	.250	1.850	1.375	-	2.800	.450	4P + 16S + 3P	5-6450540-4
2.950	2.900	.250	.250	2.050	1.375	-	3.250	.450	4P + 24S + 4P	5-6450540-3
1.350	1.300	-	-	1.200	.675	-	1.650	.450	1P + 16S + 1P	5-6450540-2
1.750	1.700	.250	.250	1.350	.875	-	2.050	.450	2P + 16S + 2P	5-6450540-1
5.950	5.900	.250	.250	3.550	2.8750	-	6.250	.450	10P + 24S + 10P	5-6450540-0
1.250	1.200	-	-	1.100	.625	-	1.550	.450	1P + 16S + 1P	4-6450540-8
2.150	2.100	.250	.250	1.500	1.175	-	2.450	.450	3P + 8S + 3P	4-6450540-7
1.150	1.100	-	-	1.000	.675	-	1.450	.450	1P + 8S + 1P	4-6450540-6
-	-	.200	-	-	-	-	2.820	.450	12HDP	4-6450540-5
-	-	.200	.200	2.600	1.625	-	3.970	.450	8HDP + 36S + 7HDP	4-6450540-4
2.65	2.60	.250	.250	2.250	1.625	-	2.950	.450	5P + 20S + 2P	4-6450540-3
-	-	.200	-	-	-	-	2.620	.450	11HDP	4-6450540-2
-	-	.200	.200	2.600	1.625	-	3.770	.450	6P + 36S + 6P	4-6450540-1
-	-	.200	.200	4.500	3.425	-	7.470	.450	15P + 40S + 15P	4-6450540-0
-	-	.200	.200	-	-	-	7.470	-	15P + 40S + 15P	4-6450540-9
4.650	4.600	.250	.250	3.250	1.875	-	4.950	.450	6P + 52S + 6P	4-6450540-7
1.950	1.900	-	-	1.550	.875	-	2.250	.450	2P + 24S + 2P	4-6450540-5
2.450	2.400	.250	.250	1.800	1.125	-	2.750	.450	3P + 24S + 3P	4-6450540-0
-	1.575	-	-	1.425	.700	-	1.925	.475	1P + 24S + 1P	1-6450540-8
-	5.450	-	-	3.075	2.425	-	5.800	.425	10P + 24S + 12P	1-6450540-4
3.250	3.200	.200	.200	2.125	1.575	-	3.550	.425	6P + 20S + 6P	1-6450540-2
-	2.850	.250	.250	2.000	1.125	-	3.200	.450	3P + 32S + 4P	1-6450540-1
-	1.400	.250	.250	1.300	.625	-	1.750	.450	1P + 24S + 1P	6450540-7
-	2.400	.250	.250	2.050	1.375	-	2.750	.450	4P + 24S + 2P	6450540-6
-	3.100	.250	.250	2.000	1.625	-	3.450	.450	5P + 12S + 5P	6450540-5
-	3.400	.250	.250	2.050	1.375	-	3.750	.450	4P + 24S + 6P	6450540-4
-	7.400	.250	.250	5.050	2.875	-	7.750	.450	10P + 84S + 10P	6450540-3
-	4.000	.250	.250	2.650	1.675	2.225	4.350	.450	5P + 24S + 1M + 6P	6450540-2
-	1.575	-	-	1.425	.700	-	1.925	.475	1P + 24S + 1P	6450540-1

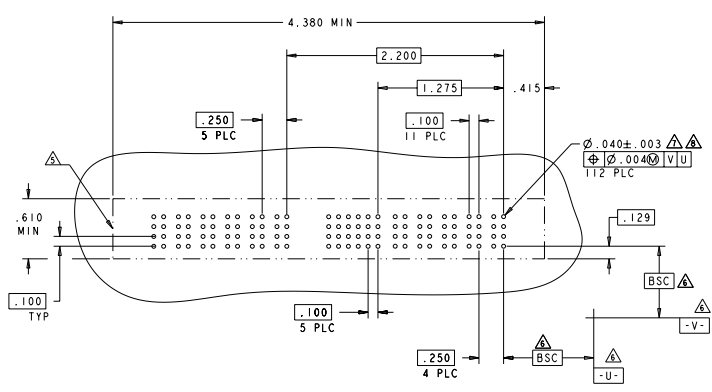
TECH ELECTRONICS CORPORATION 1000 N. 10TH STREET HARRISBURG, PA 17105-3600		TECH ELECTRONICS CORPORATION 1000 N. 10TH STREET HARRISBURG, PA 17105-3600	
DIMENSIONS: INCHES DECIMALS FRACTIONS DECIMALS FRACTIONS	DIMENSIONS: MILLIMETERS DECIMALS FRACTIONS DECIMALS FRACTIONS	DIMENSIONS: MILLIMETERS DECIMALS FRACTIONS DECIMALS FRACTIONS	DIMENSIONS: MILLIMETERS DECIMALS FRACTIONS DECIMALS FRACTIONS
CUSTOMER DRAWING		CUSTOMER DRAWING	

REV	DATE	DESCRIPTION	BY	CHK	APP
00	ES	SEE SHEET 1			

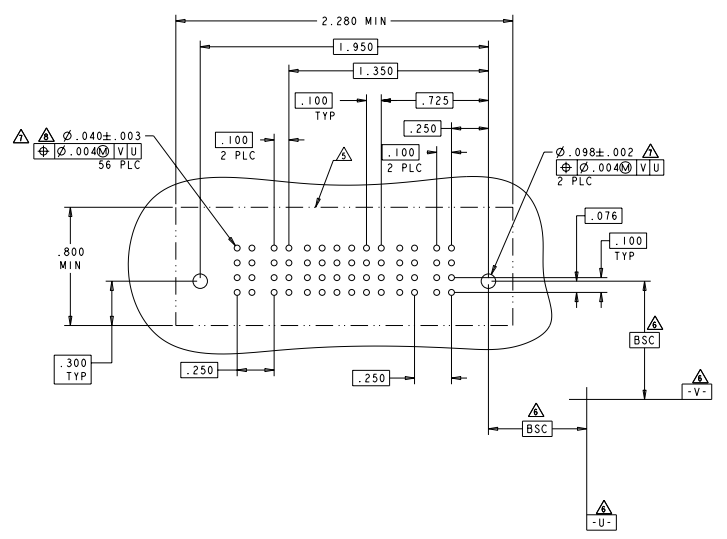
PART NUMBER	ROWS	POWER					SIGNAL					POWER	
		P2	6	5	4	3	2	1	P1				
6450540-1	D C B A	GP	API	API	API	API	API	API	API	API	GP		
		GP	API	API	API	API	API	API	API	GP			
		GP	API	API	API	API	API	API	API	GP			
1P + 24S + 1P													



PART NUMBER	ROWS	POWER						SIGNAL						POWER					
		P11	P10	P9	P8	P7	P6	M1	6	5	4	3	2	1	P5	P4	P3	P2	P1
6450540-2	D C B A	GP	GP	GP	GP	GP	GP		API	API	API	API	API	API	GP	GP	GP	GP	GP
		GP	GP	GP	GP	GP	GP		API	API	API	API	API	API	GP	GP	GP	GP	GP
		GP	GP	GP	GP	GP	GP		API	API	API	API	API	API	GP	GP	GP	GP	GP
5P + 24S + 1M + 6P																			



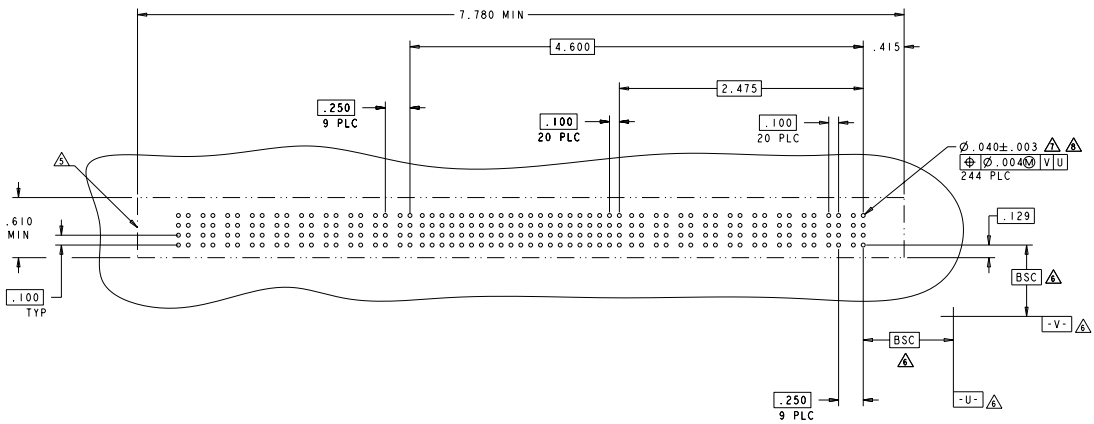
PART NUMBER	ROWS	POWER					SIGNAL					POWER	
		P4	P3	6	5	4	3	2	1	P2	P1		
2-6450540-5	D C B A	GP	GP	API	API	API	API	API	API	API	GP		
		GP	GP	API	API	API	API	API	API	GP			
		GP	GP	API	API	API	API	API	API	GP			
2P + 24S + 2P													



CODE	TAIL LENGTH
VS	STD POWER PRESSFIT CONTACT .115 LG
VP	MBFL POWER PRESSFIT CONTACT .115 LG
GS	STD POWER PRESSFIT CONTACT .135 LG
GP	MBFL POWER PRESSFIT CONTACT .135 LG
P	SIGNAL PRESSFIT CONTACT .115 LG
AP	SIGNAL PRESSFIT CONTACT .135 LG

INCHES: 100% DECIMALS: 0.0005 FRACTIONS: 1/64 ANGLES: 0.0001		TYPICAL DIMENSIONS: 250000 DIMENSIONS: 250000 DIMENSIONS: 250000 DIMENSIONS: 250000		TECH ELECTRONICS CORPORATION Harrisburg, PA 17105-3600	
MATERIAL: 100% FINISH: 100%		PART NUMBER: 6450540-5 REV: 100-1913 SPECIFICATION: 116-1303B WEIGHT: 100%		STATE: PA CASE CODE: 00779 CUSTOMER DRAWING: 6450540	
DATE: 10/11/2022 TIME: 10:00 AM		SHEET: 3 OF 18 DRAWING: 100%		CONTACT TABLE VERTICAL RECEPTACLE ASSEMBLY WITH GUIDES MULTI-BEAM XL	

PART NUMBER	ROWS	POWER										SIGNAL																						POWER									
		P20	P19	P18	P17	P16	P15	P14	P13	P12	P11	21	20	19	18	17	16	15	14	13	12	11	10	9	8	7	6	5	4	3	2	1	P10	P9	P8	P7	P6	P5	P4	P3	P2	P1	
6450540-3	D C B A	GP										AP																						GP									
		GP										AP																						GP									
		GP										AP																						GP									
10P + 84S + 10P																																											



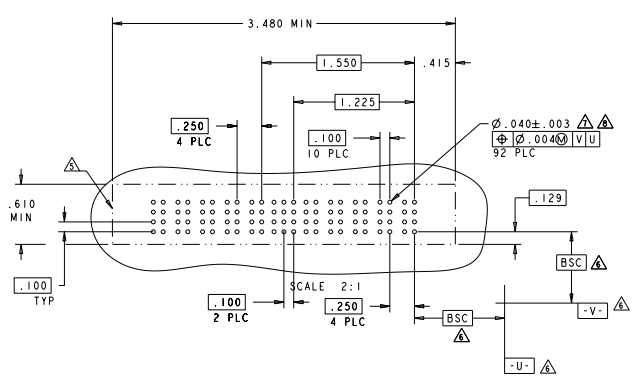
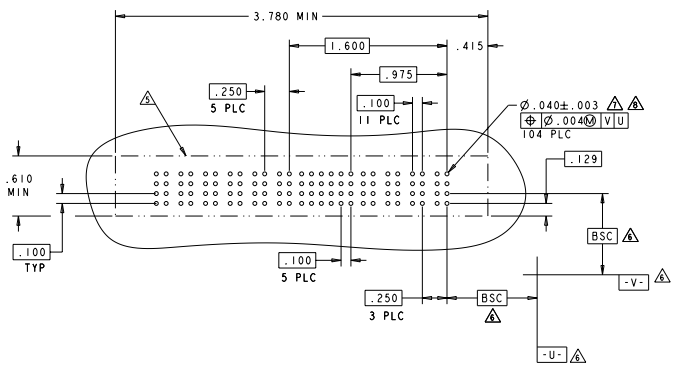
CONTACT TABLE	
HP	MBBL POWER PRESSFIT CONTACT .165 LG
BP	SIGNAL PRESSFIT CONTACT .165 LG
GP	MBBL POWER PRESSFIT CONTACT .135 LG
AP	SIGNAL PRESSFIT CONTACT .135 LG
CODE	
TAIL LENGTH	

DATE SHIPPED TO MANUFACTURER RECEIVED FOR FABRICATION		REV 000354228	
BY TECH ELECTRONICS CORPORATION		ALL RIGHTS RESERVED	
DATE	REV	DESCRIPTION	BY
199-1913		VERTICAL RECEPTACLE ASSEMBLY WITH GUIDES MULTI-BEAM XL	
114-13038		STATE	SCALE CODE (DRAWING NO)
00778		00778	6450540
CUSTOMER DRAWING		PAGE 1	

REV	DATE	DESCRIPTION	BY	CHK	APP
ES	00	SEE SHEET 1			

PART NUMBER	ROWS	POWER					SIGNAL					POWER							
		P10	P9	P8	P7	P6	P5	6	5	4	3	2	1	P4	P3	P2	P1		
6450540-4	D C B A	GP	GP	GP	GP	GP	GP	AP	AP	AP	AP	AP	AP	AP	AP	GP	GP	GP	GP
4P + 24S + 6P																			

PART NUMBER	ROWS	POWER					SIGNAL					POWER							
		P10	P9	P8	P7	P6	3	2	1	P5	P4	P3	P2	P1					
6450540-5	D C B A	GP	GP	GP	GP	GP	GP	AP	AP	AP	AP	AP	AP	AP	AP	GP	GP	GP	GP
5P + 12S + 5P																			



GP	MBFL POWER PRESSFIT CONTACT .135 LG
AP	SIGNAL PRESSFIT CONTACT .135 LG
CODE	TAIL LENGTH

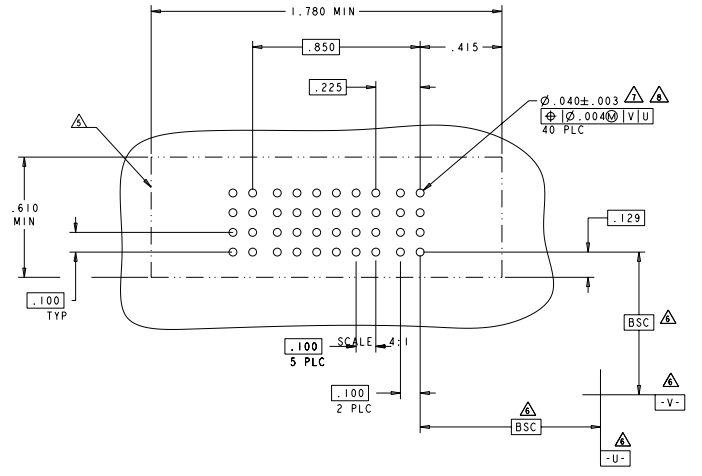
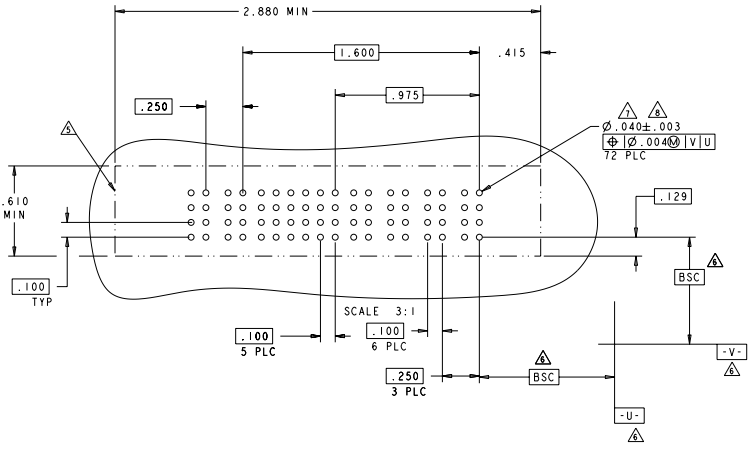
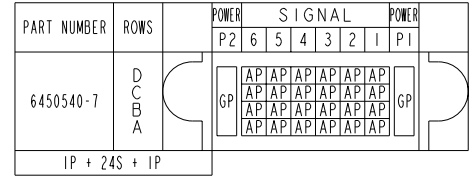
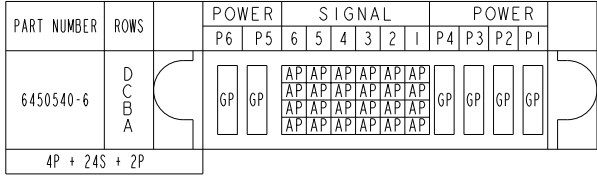
CONTACT TABLE

TSC ELECTRONICS CORPORATION		TSC ELECTRONICS CORPORATION		TSC ELECTRONICS CORPORATION	
DATE: 08/24/2018	BY: TSC ELECTRONICS CORPORATION	DATE: 08/24/2018	BY: TSC ELECTRONICS CORPORATION	DATE: 08/24/2018	BY: TSC ELECTRONICS CORPORATION
INCHES	0.001 INCHES	INCHES	0.001 INCHES	INCHES	0.001 INCHES
SCALE	2:1	SCALE	2:1	SCALE	2:1
CUSTOMER DRAWING		CUSTOMER DRAWING		CUSTOMER DRAWING	

TSC ELECTRONICS CORPORATION HARRISBURG, PA 17105-3600	VERTICAL RECEPTACLE ASSEMBLY WITH GUIDES MULTI-BEAM XL
PART NUMBER: 6450540-4 REV: A	DATE: 08/24/2018 BY: TSC ELECTRONICS CORPORATION

DATE REVISIONS
 ES 00

REV	DATE	DESCRIPTION	BY	CHK	APP
00		SEE SHEET 1			



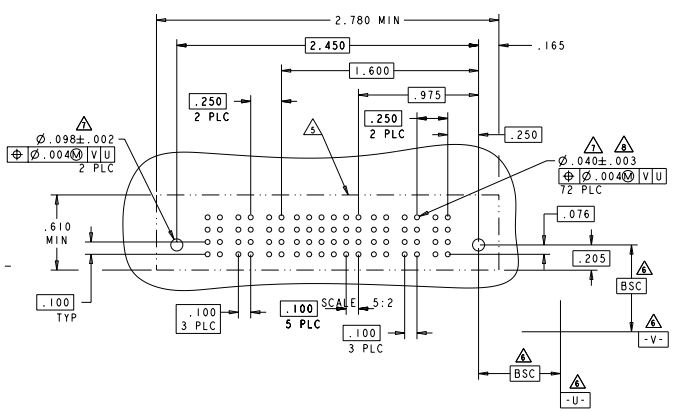
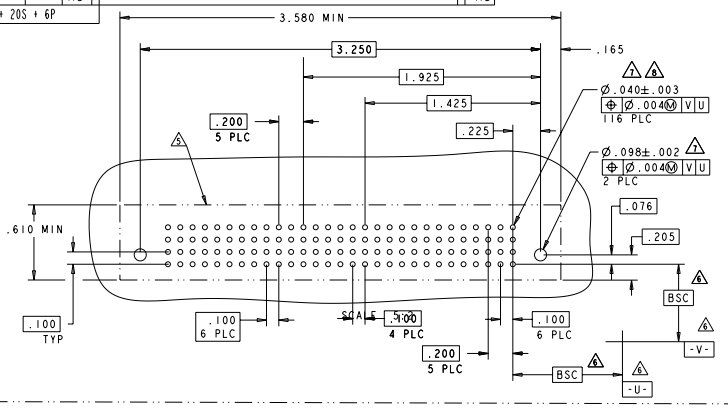
DIMENSIONS IN INCHES UNLESS OTHERWISE SPECIFIED DECIMALS ARE TO THE TENTHS PLACE FRACTIONS ARE TO THE NEAREST SIXTEENTH PLACE	DATE 08/12/2008 DRAWN BY W. FISCHER CHECKED BY W. FISCHER 100-1913 SPECIFICATION SHEET 114-13038 REV. 0	TITLE VERTICAL RECEPTACLE ASSEMBLY WITH GUIDES MULTI-BEAM XL SIZE A SCALE 3:1 PART NUMBER 6450540 CUSTOMER DRAWING	TYPE Electronics Corporation Harrisburg, PA 17105-3600
--	---	--	---

DATE MANUFACTURED: 7 RECEIVED FOR FABRICATION: 28
 BY: FROM ELECTRONICS CORPORATION ALL RIGHTS RESERVED

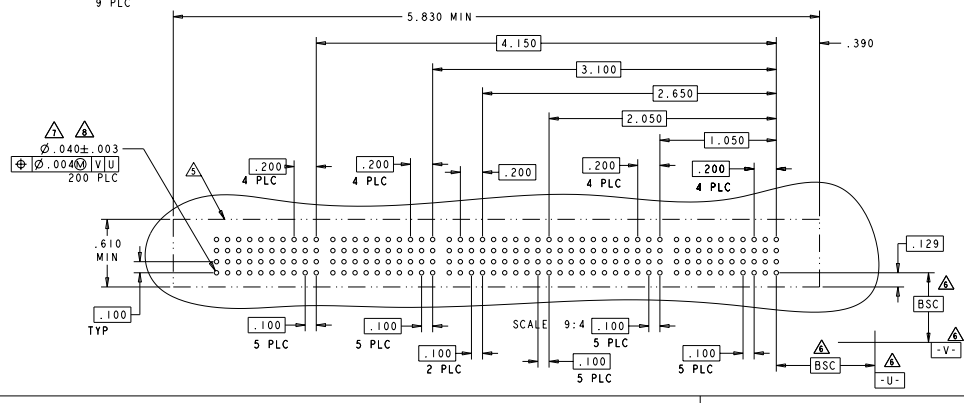
REV	DATE	REVISIONS
00	ES	SEE SHEET 1

PART NUMBER	ROWS	POWER						SIGNAL					POWER							
		P12	P11	P10	P9	P8	P7	5	4	3	2	1	P6	P5	P4	P3	P2	P1		
1-6450540-2	D C B A	GP	GP	GP	GP	GP	GP	API	API	API	API	API	API	API	API	API	API	API	API	API
		6P + 20S + 6P																		

PART NUMBER	ROWS	POWER				SIGNAL					POWER							
		P6	P5	P4	P3	6	5	4	3	2	1	P3	P2	P1				
2-6450540-0	D C B A	GP	GP	GP	GP	API	API	API	API	API	API	API	API	API	API	API	API	API
		3P + 24S + 3P																



PART NUMBER	ROWS	POWER							SIGNAL										POWER										
		P22	P21	P20	P19	P18	P17	P16	P15	P14	P13	P12	P11	6	5	4	3	2	1	P10	P9	P8	P7	P6	P5	P4	P3	P2	P1
1-6450540-4	D C B A	GP	GP	GP	GP	GP	GP	GP	GP	GP	GP	GP	GP	GP	GP	GP	GP	GP	GP	GP	GP	GP	GP	GP	GP	GP	GP	GP	GP
		10P + 24S + 12P																											



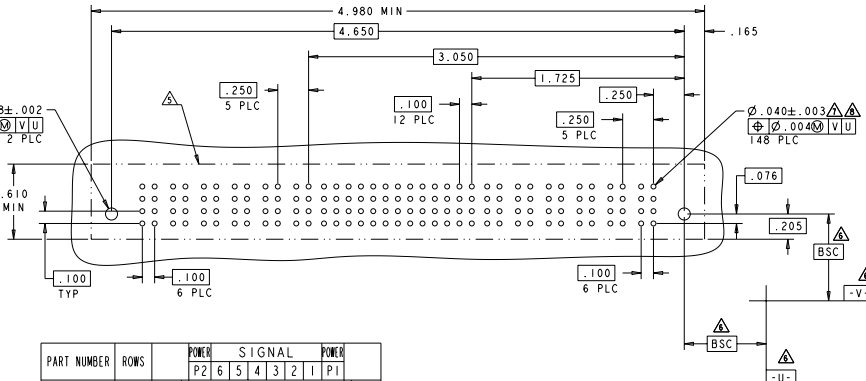
REVISIONS INCHES MATERIAL	QUANTITIES PARTS PER ASSEMBLY DRAWING TITLE DATE DRAWN BY CHECKED BY APPROVED BY	REVISIONS PARTS PER ASSEMBLY DRAWING TITLE DATE DRAWN BY CHECKED BY APPROVED BY	Title Electronics Corporation Harrisburg, PA 17105-3600 VERTICAL RECEPTACLE ASSEMBLY WITH GUIDES MULTI-BEAM XL STATE CASE CODE (DRAWING NO) 00778 ©6450540	DRAWN BY CHECKED BY APPROVED BY DATE
--	---	--	---	---

DATE SHIPPED TO SUPPLIER: _____ RECEIVED FOR FABRICATION: _____
BY THIS ELECTRONICS CORPORATION. ALL RIGHTS RESERVED.

REV	DATE	REVISIONS
ES	00	SEE SHEET 1

PART NUMBER	ROWS	POWER						SIGNAL												POWER											
		P12	P11	P10	P9	P8	P7	13	12	11	10	9	8	7	6	5	4	3	2	1	P6	P5	P4	P3	P2	P1					
2-6450540-7	D C B A	GP	GP	GP	GP	GP	GP	AP	AP	AP	AP	AP	AP	AP	AP	AP	AP	AP	AP	AP	AP	AP	AP	AP	AP	AP	GP	GP	GP	GP	GP

6P + 52S + 6P

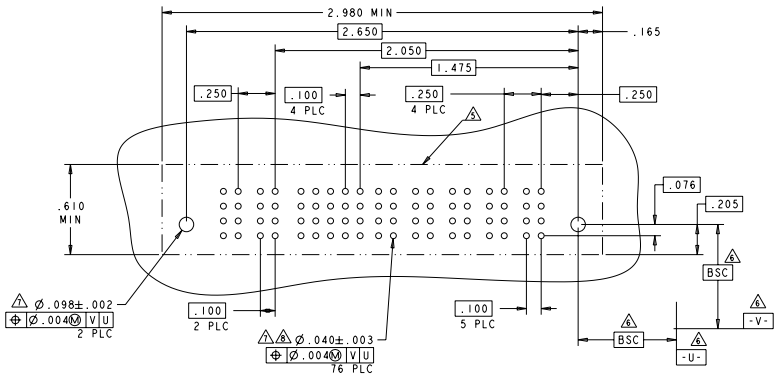
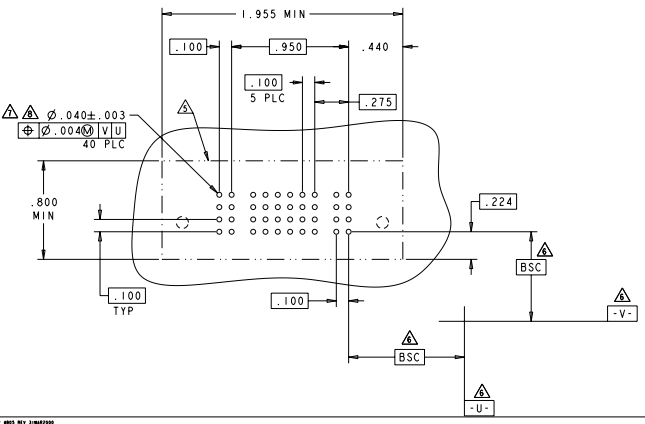


PART NUMBER	ROWS	POWER				SIGNAL				POWER							
		P7	P6	5	4	3	2	1	P5	P4	P3	P2	P1				
4-6450540-3	D C B A	GS	GS	AP	AP	AP	AP	AP	AP	AP	AP	GS	GS	GS	GS	GS	GS

5P + 20S + 2P

PART NUMBER	ROWS	POWER		SIGNAL				POWER		
		P2	6	5	4	3	2	1	P1	
1-6450540-8	D C B A	GP	GP	AP	AP	AP	AP	AP	GP	GP

1P + 24S + 1P

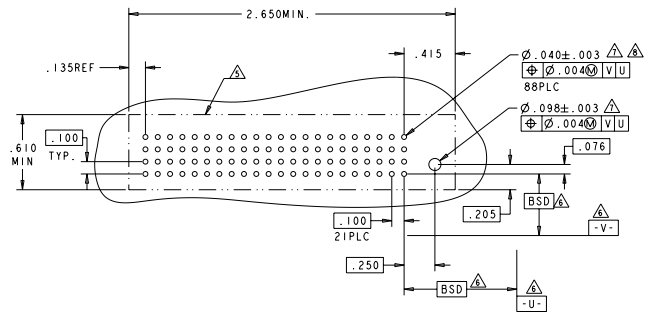
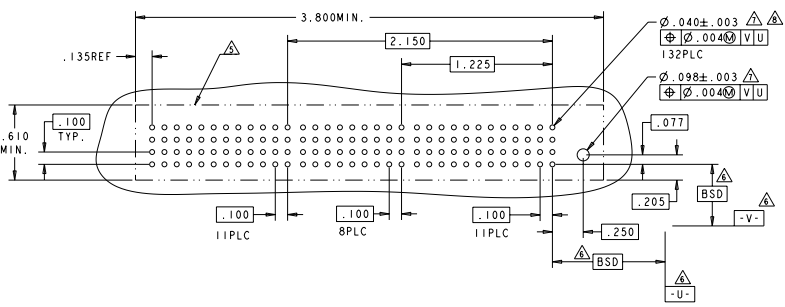


INCHES UNLESS OTHERWISE SPECIFIED	DATE 108-1913	APPROVED BY DATE 11-6-1988	DATE 11-6-1988	REVISED BY DATE 11-6-1988	REVISED BY DATE 11-6-1988	REVISED BY DATE 11-6-1988		
VERTICAL RECEPTACLE ASSEMBLY WITH GUIDES MULTI-BEAM XL			PART NUMBER 6450540			DRAWING NUMBER 11-6-1988		
CUSTOMER DRAWING			DRAWING NUMBER 11-6-1988			DRAWING NUMBER 11-6-1988		

REV	DATE	DESCRIPTION	BY	CHK	APP
ES	00	SEE SHEET 1			

PART NUMBER	ROWS	POWER						SIGNAL									POWER											
		P21	P20	P19	P18	P17	P16	9	8	7	6	5	4	3	2	1	P6	P5	P4	P3	P2	P1						
4-6450540-1	D C B A	GP	GP	GP	GP	GP	GP	AP	AP	AP	AP	AP	AP	AP	AP	AP	AP	AP	AP	AP	AP	AP	GP	GP	GP	GP	GP	GP
6HDP + 36S + 6HDP																												

PART NUMBER	ROWS	POWER												
		P11	P10	P9	P8	P7	P6	P5	P3	P2	P1			
4-6450540-2	D C B A	GP	GP	GP	GP	GP	GP	GP	GP	GP	GP	GP	GP	GP
11HDP														



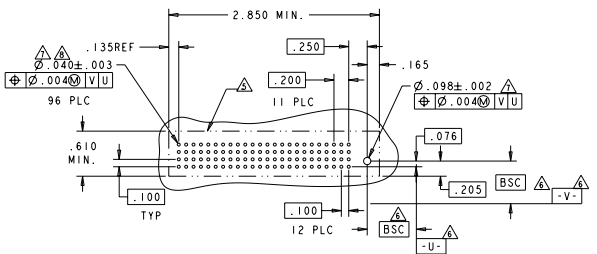
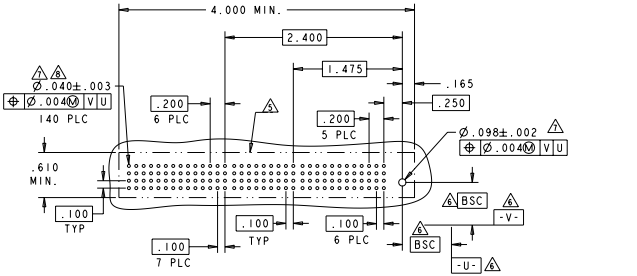
DIMENSIONS: INCHES UNLESS OTHERWISE SPECIFIED TOLERANCES: FRACTIONS DECIMALS .005 .010 .015 .020 .030 .040 .050 .060 .070 .080 .090 .100 .125 .150 .200 .250 .300 .400 .500 .600 .700 .800 .900 1.000 1.250 1.500 2.000 3.000 4.000 5.000 6.000 8.000 10.000 .005 .010 .015 .020 .030 .040 .050 .060 .070 .080 .090 .100 .125 .150 .200 .250 .300 .400 .500 .600 .700 .800 .900 1.000 1.250 1.500 2.000 3.000 4.000 5.000 6.000 8.000 10.000 .005 .010 .015 .020 .030 .040 .050 .060 .070 .080 .090 .100 .125 .150 .200 .250 .300 .400 .500 .600 .700 .800 .900 1.000 1.250 1.500 2.000 3.000 4.000 5.000 6.000 8.000 10.000	APPROVED BY: J. B. BROWN DATE: 08/13/2018 TITLE: VERTICAL RECEPTACLE ASSEMBLY WITH GUIDES MULTI-BEAM XL PART NUMBER: 4-6450540-1 REV: A CUSTOMER DRAWING	TYPE ELECTRONICS CORPORATION HARRISBURG, PA 17105-3600 PHONE: 717-636-1000 FAX: 717-636-1001 WWW: WWW.TYPEELECTRONICS.COM
--	---	---

DATE: 08/12/2010 10:00 AM
 REVISION: 00
 BY: TYP
 CHECKED: TYP
 APPROVED: TYP

REV	DATE	DESCRIPTION	BY	CHK
00	ES	SEE SHEET 1		

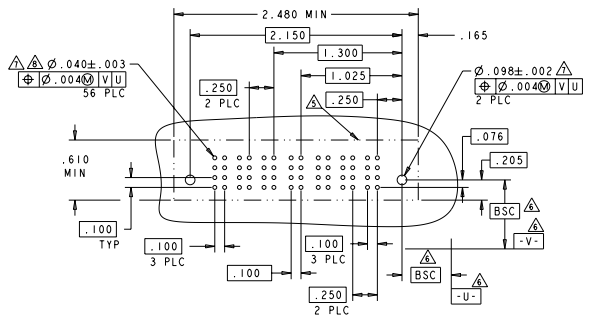
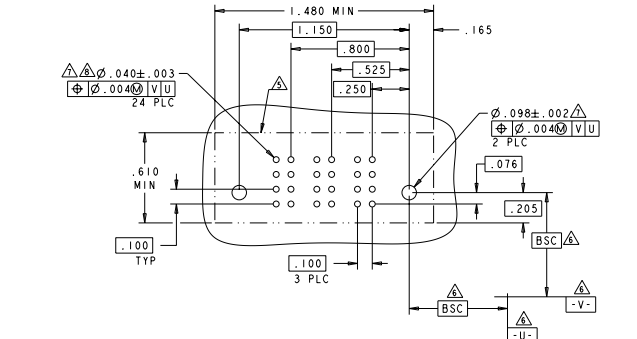
PART NUMBER	ROWS	POWER								SIGNAL								POWER							
		P13	P12	P11	P10	P9	P8	P7		9	8	7	6	5	4	3	2	1	P6	P5	P4	P3	P2	P1	
4-6450540-4	D C B A	GS	GS	GS	GS	GS	GS	GS	GS	AP	AP	AP	AP	AP	AP	AP	AP	AP	AP	GS	GS	GS	GS	GS	GS
		6HDP + 36S + 7HDP																							

PART NUMBER	ROWS	POWER							
		P12	P11	P10	P9	P8	P7	P6	P5
4-6450540-5	D C B A	GS	GS	GS	GS	GS	GS	GS	GS
		12HDP							



PART NUMBER	ROWS	POWER		SIGNAL		POWER	
		P2	P1	2	1	P1	P2
4-6450540-6	D C B A	GS	GS	AP	AP	GS	GS
		IP + 8S + IP					

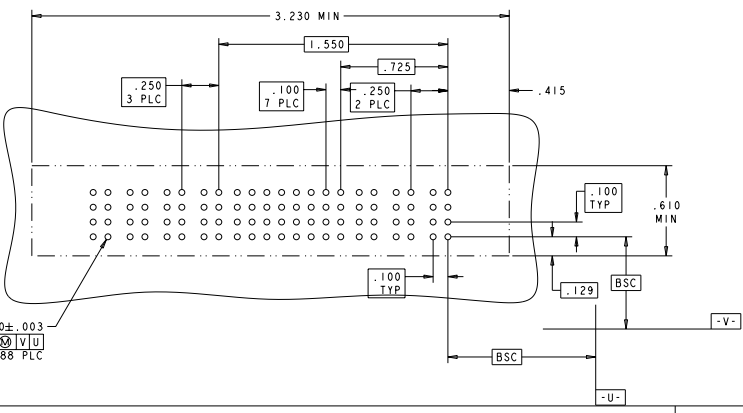
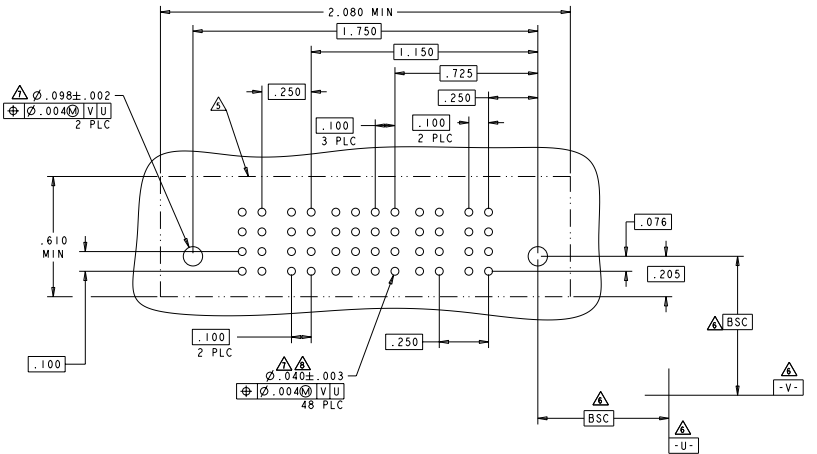
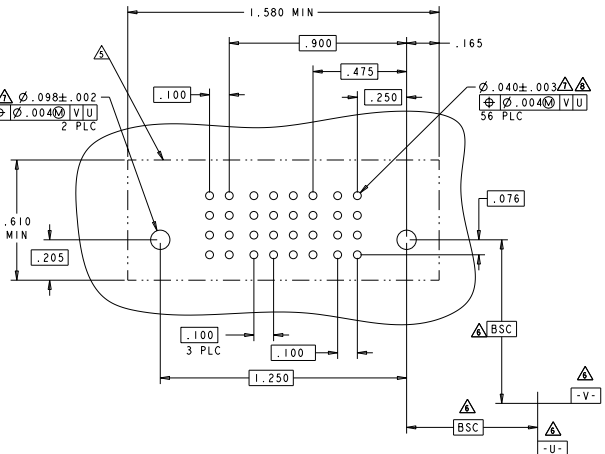
PART NUMBER	ROWS	POWER			SIGNAL			POWER		
		P6	P5	P4	2	1	P3	P2	P1	
4-6450540-7	D C B A	HP	HP	HP	BP	BP	BP	HP	HP	HP
		3P + 8S + 3P								



DIMENSIONS: INCHES DECIMALS: 0.0005 FRACTIONS: 1/1000 TOLERANCES: UNLESS OTHERWISE SPECIFIED FINISH: AS MANUFACTURED	DRAWN BY: TYP CHECKED BY: TYP APPROVED BY: TYP DATE: 08/12/2010	TITLE: VERTICAL RECEPTACLE ASSEMBLY WITH GUIDES MULTI-BEAM XL PART NUMBER: 4-6450540 REV: A CUSTOMER DRAWING: YES	TYP Electronics Corporation Harrisburg, PA 17105-3600 PHONE: 717-631-1313 FAX: 717-631-1338 WWW: www.typtelectronics.com
--	--	--	--

PART NUMBER	ROWS	POWER				SIGNAL				POWER				
		P2	4	3	2	P1	4	3	2	1	P1	4	3	2
4-6450540-8	D C B A	GS				AP				GS				
		AP				AP				AP				
IP + 16S + 1P														

PART NUMBER	ROWS	POWER				SIGNAL				POWER				
		P4	P3	4	3	P2	P1	4	3	2	1	P2	P1	
5-6450540-1	D C B A	GP				AP				GP				
		AP				AP				AP				
2P + 16S + 2P														



PART NUMBER	ROWS	POWER				SIGNAL								POWER			
		P7	P6	P5	P4	8	7	6	5	4	3	2	1	P3	P2	P1	
1-6450540-1	D C B A	VP				P								VP			
		P				P								P			
3P + 32S + 4P																	

<p>DATE: 11/15/00</p> <p>INCHES</p> <p>SCALE: 1:1</p>	<p>DESIGNED BY: J. B. B.</p> <p>DRAWN BY: J. B. B.</p> <p>CHECKED BY: J. B. B.</p> <p>APPROVED BY: J. B. B.</p>	<p>DATE: 11/15/00</p> <p>INCHES</p> <p>SCALE: 1:1</p>	<p>DATE: 11/15/00</p> <p>INCHES</p> <p>SCALE: 1:1</p>	<p>DATE: 11/15/00</p> <p>INCHES</p> <p>SCALE: 1:1</p>
---	---	---	---	---

CUSTOMER DRAWING
 00778 ©-6450540
 11/15/00
 12 OF 18
 11/15/00

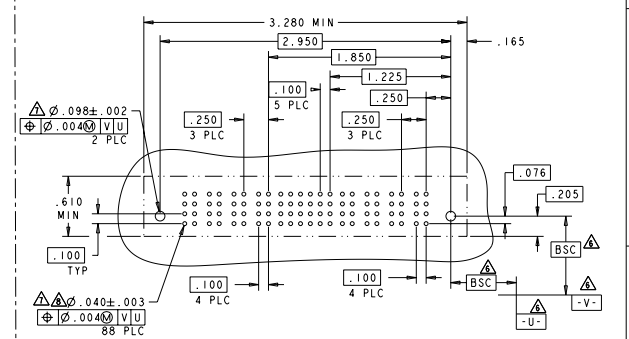
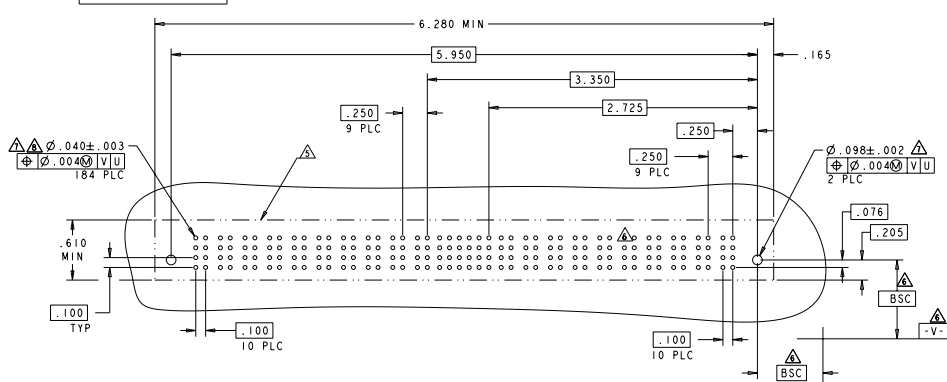
REV	DATE	DESCRIPTION	BY	CHK	APP
00	ES	SEE SHEET 1			

PART NUMBER	ROWS	POWER									SIGNAL									POWER								
		P20	P19	P18	P17	P16	P15	P14	P13	P12	P11	6	5	4	3	2	1	P10	P9	P8	P7	P6	P5	P4	P3	P2	P1	
5-6450540-0	D C B A	GS	GS	GS	GS	GS	GS	GS	GS	GS	AM	AM	AM	AM	AM	AM	AM	GS	GS	GS	GS	GS	GS	GS	GS	GS	GS	

10P + 24S + 10P

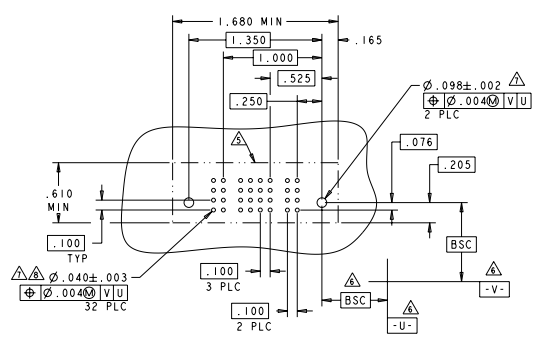
PART NUMBER	ROWS	POWER					SIGNAL					POWER							
		P8	P7	P6	P5	6	5	4	3	2	1	P4	P3	P2	P1				
5-6450540-3	D C B A	GS	GS	GS	GS	GS	AP	AP	AP	AP	AP	AP	AP	AP	AP	GS	GS	GS	GS

4P + 24S + 4P



PART NUMBER	ROWS	POWER				SIGNAL				POWER					
		P2	4	3	2	1	P1	2	3	4	P2	4	3	2	1
5-6450540-2	D C B A	GS	AP	AP	AP	AP	AP	AP	AP	AP	GS	AP	AP	AP	AP

1P + 16S + 1P



QUANTITY	DESCRIPTION	UNIT	REVISIONS
1	VERTICAL RECEPTACLE ASSEMBLY WITH GUIDES MULTI-BEAM XL	ASSEMBLY	1

DATE: 08/14/2018	TIME: 10:00 AM	BY: J. B. HARRIS	CHK: J. B. HARRIS	APP: J. B. HARRIS
REV: 00	DATE: 08/14/2018	DESCRIPTION: SEE SHEET 1	BY: J. B. HARRIS	CHK: J. B. HARRIS

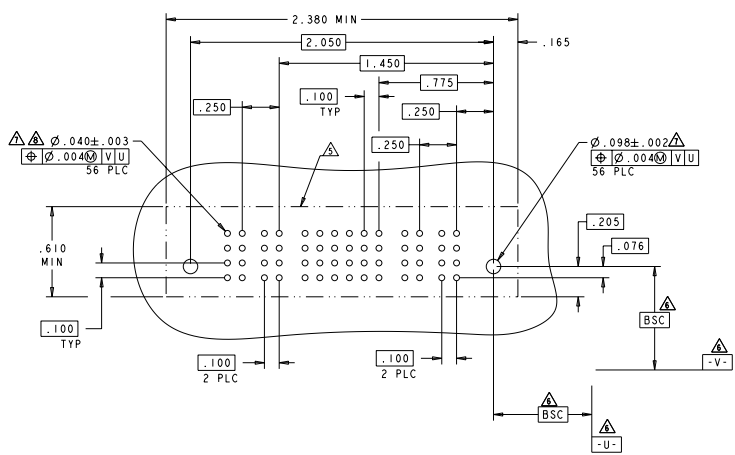
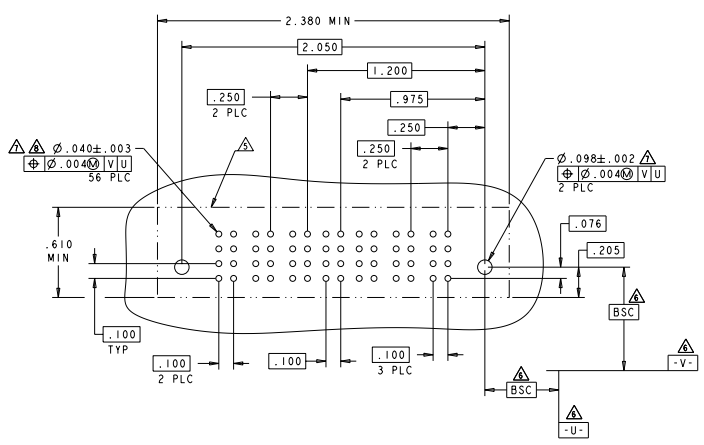
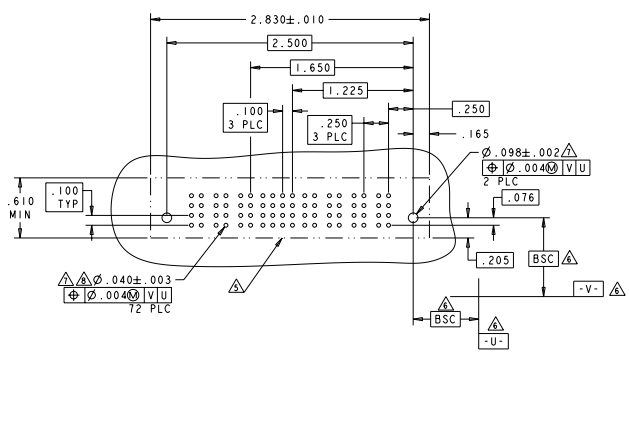
REVISED		REVISIONS	
ES	00	DESCRIPTION	DATE
		SEE SHEET 1	

PART NUMBER	ROWS	POWER		SIGNAL				POWER	
		P7	P6	P5	P4	P3	P2	P1	
5-6450540-4	D C B A	VS	VS	VS	VS	VS	VS	VS	VS

4P + 16S + 3P

PART NUMBER	ROWS	POWER		SIGNAL				POWER	
		P6	P5	P4	P3	P2	P1		
5-6450540-5	D C B A	GS	GS	API	API	API	API	GS	GS

3P + 8S + 3P



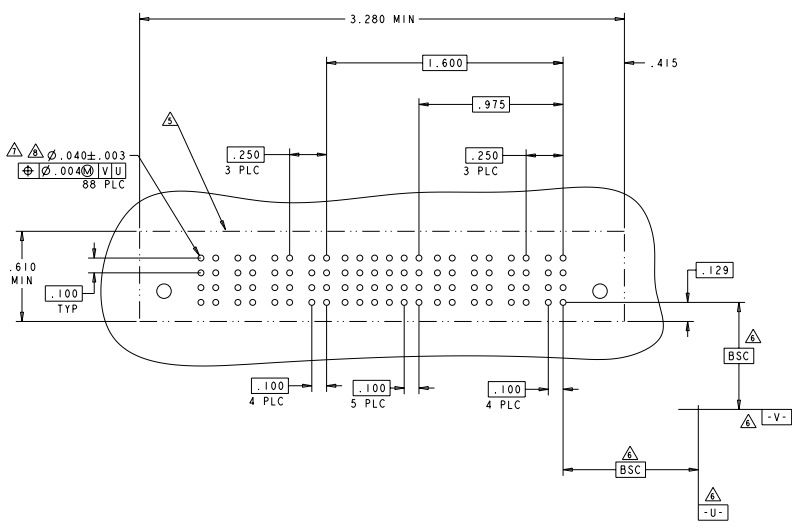
PART NUMBER	ROWS	POWER		SIGNAL				POWER	
		P4	P3	P6	P5	P4	P3	P2	P1
5-6450540-9	D C B A	GS	GS	API	API	API	API	GS	GS

2P + 24S + 2P

DIMENSIONS: INCHES DECIMALS: .001 FRACTIONS: 1/16, 1/8, 3/16, 1/4, 3/8, 1/2, 5/8, 3/4, 7/8, 1	TYPICAL DIMENSIONS: .001 .002 .005 .010 .015 .020 .030 .040 .050 .060 .070 .080 .090 .100 .125 .150 .175 .200 .250 .300 .375 .500 .625 .750 .875 1.000 1.250 1.500 1.750 2.000 2.500 3.000 3.500 4.000 4.500 5.000 5.500 6.000 6.500 7.000 7.500 8.000 8.500 9.000 9.500 10.000	APPROVED: [Signature] DATE: 108-1913 SPECIFICATION NO: 116-13038 CUSTOMER DRAWING: A	TTI ELECTRONICS CORPORATION HARRISBURG, PA 17105-3600 VERTICAL RECEPTACLE ASSEMBLY WITH GUIDES MULTI-BEAM XL STATE CASE CODE: 00778 ©=6450540 SHEET 1 OF 18
---	--	---	--

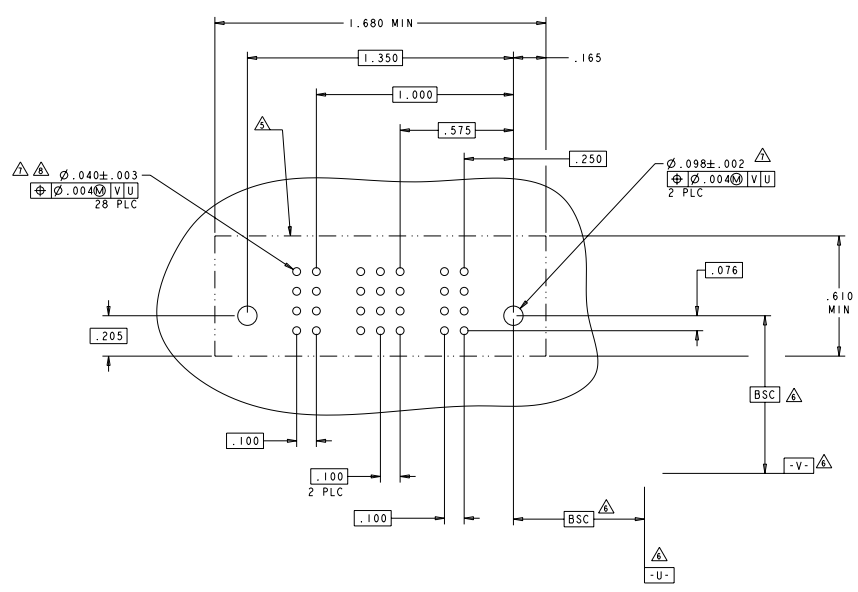
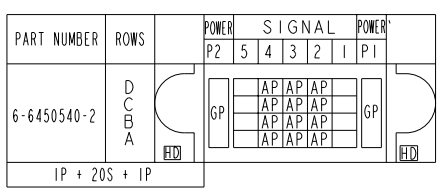
REV	DATE	REVISIONS	BY	CHK	APP
ES	00	SEE SHEET 1			

PART NUMBER	ROWS	POWER			SIGNAL						POWER					
		P8	P7	P6	P5	6	5	4	3	2	1	P4	P3	P2	P1	
6-6450540-0	D C B A	GS	GS	GS	GS	AP	AP	AP	AP	AP	AP	AP	GS	GS	GS	
		4P + 24S + 4P														



TITLE: VERTICAL RECEPTACLE ASSEMBLY WITH GUIDES MULTI-BEAM XL PART NUMBER: 6-6450540-0 REV: A		DATE: 11-15-13 DRAWN BY: J. J. K... CHECKED BY: J. J. K...		CUSTOMER DRAWING: 00778 ©-6450540 SHEET: 1 OF 15 SCALE: 1:1	
---	--	--	--	---	--

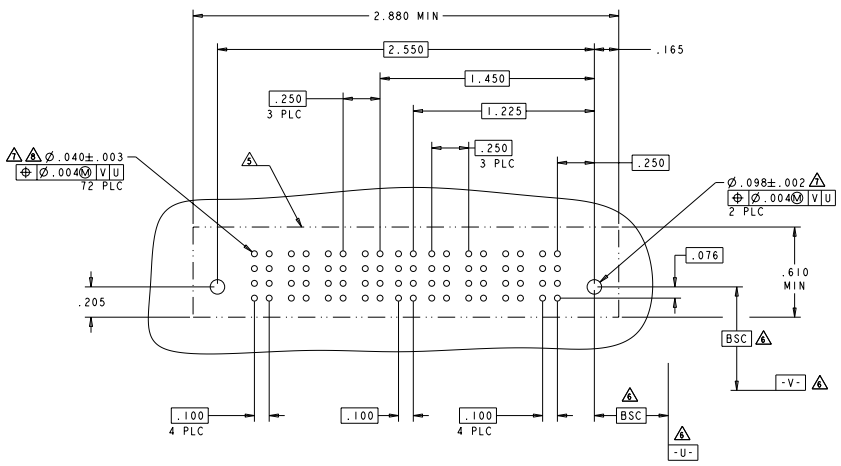
REVISIONS			
REV.	DATE	DESCRIPTION	BY
-	-	SEE SHEET 1	-



QUANTITIES INCHES: DECIMAL EQUIVALENTS: .001" = .0254mm .005" = .1270mm .010" = .2540mm .015" = .3810mm .020" = .5080mm .030" = .7620mm .040" = 1.0160mm .050" = 1.2700mm .060" = 1.5240mm .070" = 1.7780mm .080" = 2.0320mm .090" = 2.2860mm .100" = 2.5400mm .125" = 3.1750mm .150" = 3.8100mm .175" = 4.4450mm .200" = 5.0800mm .250" = 6.3500mm .300" = 7.6200mm .350" = 8.8900mm .400" = 10.1600mm .450" = 11.4300mm .500" = 12.7000mm .550" = 13.9700mm .600" = 15.2400mm .650" = 16.5100mm .700" = 17.7800mm .750" = 19.0500mm .800" = 20.3200mm .850" = 21.5900mm .900" = 22.8600mm .950" = 24.1300mm 1.000" = 25.4000mm 1.125" = 28.5750mm 1.250" = 31.7500mm 1.375" = 34.9250mm 1.500" = 38.1000mm 1.625" = 41.2750mm 1.750" = 44.4500mm 1.875" = 47.6250mm 2.000" = 50.8000mm 2.125" = 53.9750mm 2.250" = 57.1500mm 2.375" = 60.3250mm 2.500" = 63.5000mm 2.625" = 66.6750mm 2.750" = 69.8500mm 2.875" = 73.0250mm 3.000" = 76.2000mm 3.125" = 79.3750mm 3.250" = 82.5500mm 3.375" = 85.7250mm 3.500" = 88.9000mm 3.625" = 92.0750mm 3.750" = 95.2500mm 3.875" = 98.4250mm 4.000" = 101.6000mm 4.125" = 104.7750mm 4.250" = 107.9500mm 4.375" = 111.1250mm 4.500" = 114.3000mm 4.625" = 117.4750mm 4.750" = 120.6500mm 4.875" = 123.8250mm 5.000" = 127.0000mm 5.125" = 130.1750mm 5.250" = 133.3500mm 5.375" = 136.5250mm 5.500" = 139.7000mm 5.625" = 142.8750mm 5.750" = 146.0500mm 5.875" = 149.2250mm 6.000" = 152.4000mm 6.125" = 155.5750mm 6.250" = 158.7500mm 6.375" = 161.9250mm 6.500" = 165.1000mm 6.625" = 168.2750mm 6.750" = 171.4500mm 6.875" = 174.6250mm 7.000" = 177.8000mm 7.125" = 180.9750mm 7.250" = 184.1500mm 7.375" = 187.3250mm 7.500" = 190.5000mm 7.625" = 193.6750mm 7.750" = 196.8500mm 7.875" = 199.9250mm 8.000" = 203.2000mm 8.125" = 206.3750mm 8.250" = 209.5500mm 8.375" = 212.7250mm 8.500" = 215.9000mm 8.625" = 219.0750mm 8.750" = 222.2500mm 8.875" = 225.4250mm 9.000" = 228.6000mm 9.125" = 231.7750mm 9.250" = 234.9500mm 9.375" = 238.1250mm 9.500" = 241.3000mm 9.625" = 244.4750mm 9.750" = 247.6500mm 9.875" = 250.8250mm 10.000" = 254.0000mm		SCALE FULL SIZE (UNLESS OTHERWISE SPECIFIED)		DATE 11-13-2018 BY (signature)	
UNIT INCHES DECIMAL EQUIVALENTS .001" = .0254mm .005" = .1270mm .010" = .2540mm .015" = .3810mm .020" = .5080mm .030" = .7620mm .040" = 1.0160mm .050" = 1.2700mm .060" = 1.5240mm .070" = 1.7780mm .080" = 2.0320mm .090" = 2.2860mm .100" = 2.5400mm .125" = 3.1750mm .150" = 3.8100mm .175" = 4.4450mm .200" = 5.0800mm .250" = 6.3500mm .300" = 7.6200mm .350" = 8.8900mm .400" = 10.1600mm .450" = 11.4300mm .500" = 12.7000mm .550" = 13.9700mm .600" = 15.2400mm .650" = 16.5100mm .700" = 17.7800mm .750" = 19.0500mm .800" = 20.3200mm .850" = 21.5900mm .900" = 22.8600mm .950" = 24.1300mm 1.000" = 25.4000mm 1.125" = 28.5750mm 1.250" = 31.7500mm 1.375" = 34.9250mm 1.500" = 38.1000mm 1.625" = 41.2750mm 1.750" = 44.4500mm 1.875" = 47.6250mm 2.000" = 50.8000mm 2.125" = 53.9750mm 2.250" = 57.1500mm 2.375" = 60.3250mm 2.500" = 63.5000mm 2.625" = 66.6750mm 2.750" = 69.8500mm 2.875" = 73.0250mm 3.000" = 76.2000mm 3.125" = 79.3750mm 3.250" = 82.5500mm 3.375" = 85.7250mm 3.500" = 88.9000mm 3.625" = 92.0750mm 3.750" = 95.2500mm 3.875" = 98.4250mm 4.000" = 101.6000mm 4.125" = 104.7750mm 4.250" = 107.9500mm 4.375" = 111.1250mm 4.500" = 114.3000mm 4.625" = 117.4750mm 4.750" = 120.6500mm 4.875" = 123.8250mm 5.000" = 127.0000mm 5.125" = 130.1750mm 5.250" = 133.3500mm 5.375" = 136.5250mm 5.500" = 139.7000mm 5.625" = 142.8750mm 5.750" = 146.0500mm 5.875" = 149.2250mm 6.000" = 152.4000mm 6.125" = 155.5750mm 6.250" = 158.7500mm 6.375" = 161.9250mm 6.500" = 165.1000mm 6.625" = 168.2750mm 6.750" = 171.4500mm 6.875" = 174.6250mm 7.000" = 177.8000mm 7.125" = 180.9750mm 7.250" = 184.1500mm 7.375" = 187.3250mm 7.500" = 190.5000mm 7.625" = 193.6750mm 7.750" = 196.8500mm 7.875" = 199.9250mm 8.000" = 203.2000mm 8.125" = 206.3750mm 8.250" = 209.5500mm 8.375" = 212.7250mm 8.500" = 215.9000mm 8.625" = 219.0750mm 8.750" = 222.2500mm 8.875" = 225.4250mm 9.000" = 228.6000mm 9.125" = 231.7750mm 9.250" = 234.9500mm 9.375" = 238.1250mm 9.500" = 241.3000mm 9.625" = 244.4750mm 9.750" = 247.6500mm 9.875" = 250.8250mm 10.000" = 254.0000mm		DATE 11-13-2018 BY (signature)			

REV	DATE	REVISIONS	BY	CHK	APP
ES	00				
		SEE SHEET 1			

PART NUMBER	ROWS	POWER				SIGNAL		POWER			
		P8	P7	P6	P5	2	1	P4	P3	P2	P1
6-6450540-5	D C B A	GS	GS	GS	GS	AP	AP	GS	GS	GS	GS
						AP	AP				
						AP	AP				
						AP	AP				
4P + 8S + 4P											



TTI ELECTRONICS CORPORATION 1000 W. MARKET STREET HARRISBURG, PA 17105-3600		TTI ELECTRONICS CORPORATION HARRISBURG, PA 17105-3600	
DIMENSIONS: INCHES DECIMALS FRACTIONS TOLERANCES UNLESS OTHERWISE SPECIFIED	DIMENSIONS: MILLIMETERS DECIMALS FRACTIONS TOLERANCES UNLESS OTHERWISE SPECIFIED	PART NUMBER: 6-6450540-5 REV: 00 DATE: 08/18/07 DRAWN BY: J. J. K.	TITLE: VERTICAL RECEPTACLE ASSEMBLY WITH GUIDES MULTI-BEAM XL SCALE: 1:1 SHEET: 18 OF 18 CUSTOMER DRAWING: 00778 ©-6450540