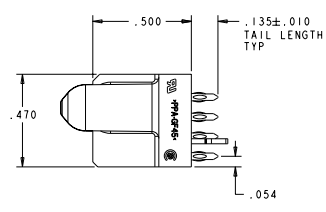
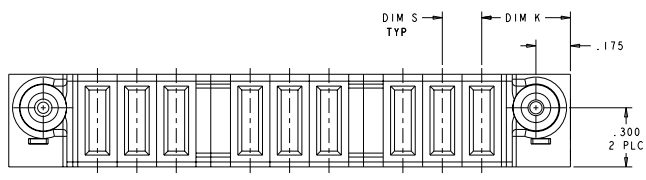
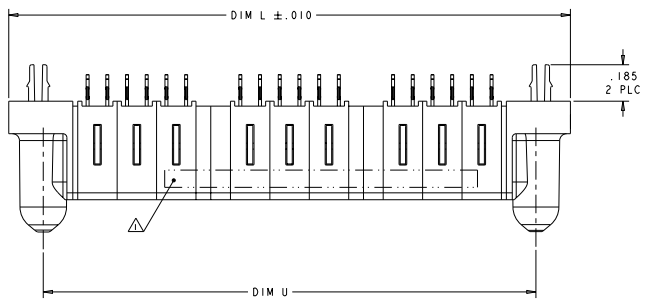
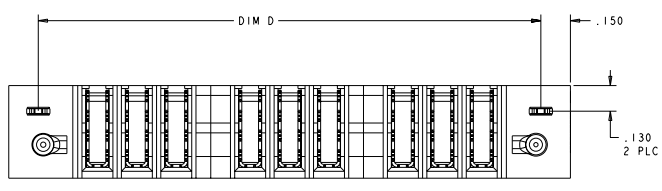


REV	DATE	DESCRIPTION	BY	CHK	APP
02		REV PER ECR-08-020230	1306000	NO	SF
03		ADD NEW DASH NUMBER - 7	2002000	OL	SF
04		ADD NEW DASH NUMBER - 8, 9	2002000	OL	SF
05		REV PER ECR-09-012325	2002000	OL	SF



- △ "AMP", PART NUMBER, AND DATE CODE TO BE MARKED IN AREA SHOWN, FAR SIDE PARTS UNDER 2.00 LONG MAY BE MARKED ON BOTH SIDES
- △ MATERIAL: HOUSING - GLASS FILLED HIGH TEMP THERMO PLASTIC, UL94 V-0  
SIGNAL CONTACT - HIGH CONDUCTIVITY COPPER ALLOY  
POWER CONTACT - HIGH CONDUCTIVITY COPPER ALLOY
- △ CONTACT PLATING: POWER CONTACTS - .000050 MIN NI UNDER ALL  
.000030 MIN Au ON CONTACT AREA  
.000100 MIN Sn AT PCB INTERFACE
- △ MECHANICAL CONNECTOR KEEP OUT ZONE
- △ DATUM AND BASIC DIMENSIONS ESTABLISHED BY CUSTOMER
- △ PCB - ALL HOLE DIAMETERS ARE FINISHED HOLE SIZES
- △ PCB - .0453 +/- .0010 DRILLED HOLES PLATED WITH .0003 MIN Sn OVER .001 TO .003 PLATING TO ACHIEVE A .040 DIA HOLE
- △ VARIABLE DIMENSIONS SHOWN ON VIEW (SHEET 2).

1.800	1.750	.300	2.100	.450	5ACP	6450553-9
2.100	2.050	.300	2.400	.450	6ACP	6450553-8
1.850	1.800	.250	2.150	.450	6P	6450553-7
1.250	1.200	.300	1.550	.475	3ACP	6450553-6
2.150	2.100	.300	2.450	.475	6ACP	6450553-5
2.550	2.500	△	2.850	.450	9P	6450553-4
-	1.700	△	2.050	.425	6P	6450553-2
-	1.550	.250	1.900	.450	5P	6450553-1
DIM D	DIM U	DIM S	DIM L	DIM K	DESCRIPTION	PART NUMBER

DIMENSIONS: INCHES DECIMALS: 0.0001 FRACTIONS: 1/1000 TOLERANCES: AS SHOWN	FINISHES: POLISHED PLATING: 100-1013 SPECIFICATION: 114-1303B	STAMPS: CUSTOMER DRAWING DATE: 00778 PART: 6450553	TECH ELECTRONICS Skaneateles, P.O. Box 200230
---	---	--	--

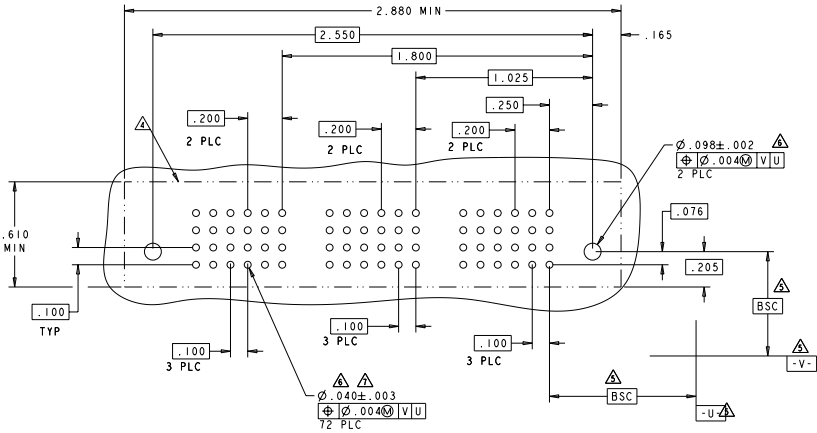
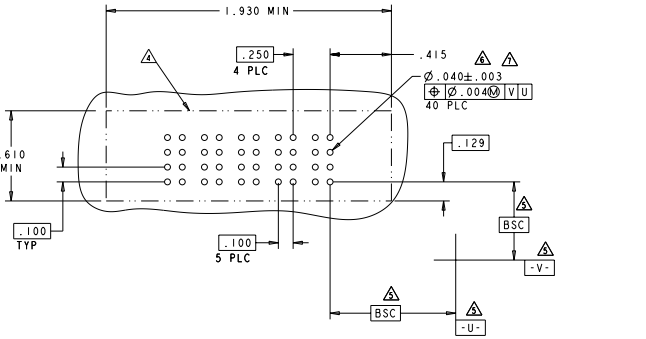
VERTICAL RECEPTACLE ASSEMBLY WITH GUIDES, PRESS FIT MULTI-BEAM XL

SCALE: 1:1 SHEET 1 OF 5

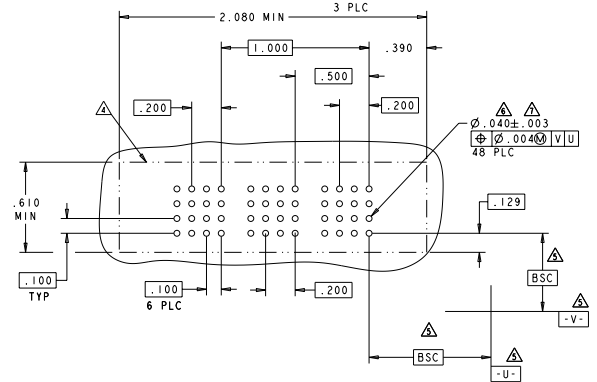
PART NUMBER	ROWS	POWER				
		P5	P4	P3	P2	P1
6450553-1	D C B A	GS	GP	GP	GP	GS
5P						

PART NUMBER	ROWS	POWER								
		P9	P8	P7	P6	P5	P4	P3	P2	P1
6450553-4	D C B A	GP	GS	GS	GP	GS	GS	GP	GS	GS
9P										

REV	DATE	DESCRIPTION	BY	CHK	APP
1		SEE SHEET 1			



PART NUMBER	ROWS	POWER					
		P6	P5	P4	P3	P2	P1
6450553-2	D C B A	GP	GP	GS	GS	GS	GS
6P							



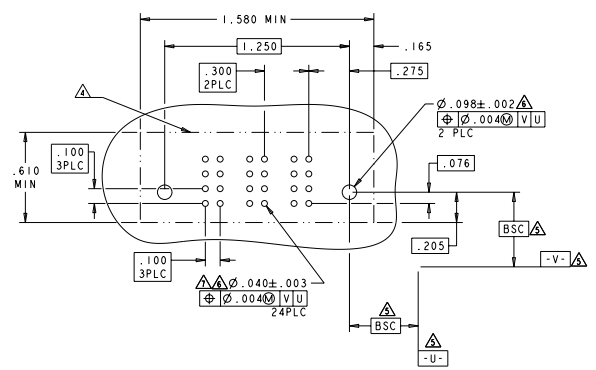
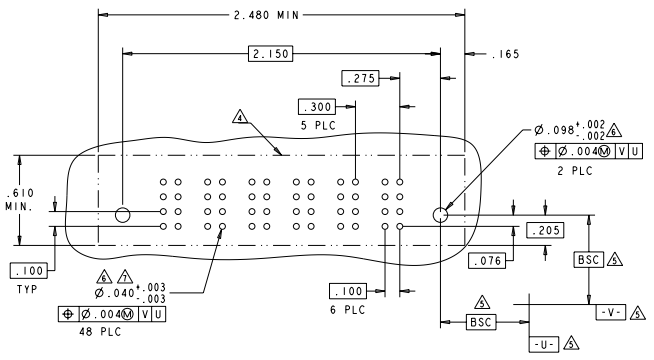
GS	STD. POWER CONTACT
GP	MFBL POWER CONTACT
CODE	DESCRIPTION
	CONTACT TABLE

DATE: 08/24/22	BY: TECH ELECTRONICS CORPORATION	REV: 1	DATE: 08/24/22	BY: TECH ELECTRONICS CORPORATION	REV: 1
INCHES	0.010 INCHES	0.005 INCHES	0.005 INCHES	0.005 INCHES	0.005 INCHES
DATE: 08/24/22	BY: TECH ELECTRONICS CORPORATION	REV: 1	DATE: 08/24/22	BY: TECH ELECTRONICS CORPORATION	REV: 1
DATE: 08/24/22	BY: TECH ELECTRONICS CORPORATION	REV: 1	DATE: 08/24/22	BY: TECH ELECTRONICS CORPORATION	REV: 1
DATE: 08/24/22	BY: TECH ELECTRONICS CORPORATION	REV: 1	DATE: 08/24/22	BY: TECH ELECTRONICS CORPORATION	REV: 1

REV	DATE	REVISIONS	BY	CHK	APP
GP	00	SEE SHEET 1			

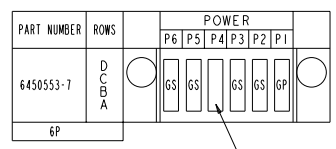
PART NUMBER	ROWS	POWER					
		P6	P5	P4	P3	P2	P1
6450553-5	D C B A	GS	GP	GS	GP	GS	GP
6ACP		HD					HD

PART NUMBER	ROWS	POWER		
		P3	P2	P1
6450553-6	D C B A	GS	GP	GS
3ACP		HD		HD

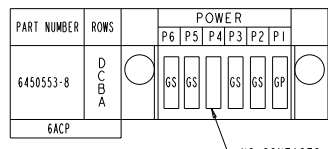


DIMENSIONS: INCHES TYPICAL: .001 DECIMALS: 3 TOLERANCES: .001 SURFACE FINISH: BSC MATERIAL: .001 FINISH: .001	DIMENSIONS: MILLIMETERS TYPICAL: .025 DECIMALS: 3 TOLERANCES: .001 SURFACE FINISH: BSC MATERIAL: .001 FINISH: .001	DIMENSIONS: MILLIMETERS TYPICAL: .025 DECIMALS: 3 TOLERANCES: .001 SURFACE FINISH: BSC MATERIAL: .001 FINISH: .001	DIMENSIONS: MILLIMETERS TYPICAL: .025 DECIMALS: 3 TOLERANCES: .001 SURFACE FINISH: BSC MATERIAL: .001 FINISH: .001	TYP Electronics Skaneateles, P.O. Box 200230
CUSTOMER DRAWING				PART NUMBER: 6450553-5 TITLE: VERTICAL RECEPTACLE ASSEMBLY WITH GUIDES, PRESS FIT MULTI-BEAM XL DATE: 11-6-13038 REV: A SCALE: 1:1 SHEET: 3 OF 5 DRAWN BY: MCD5

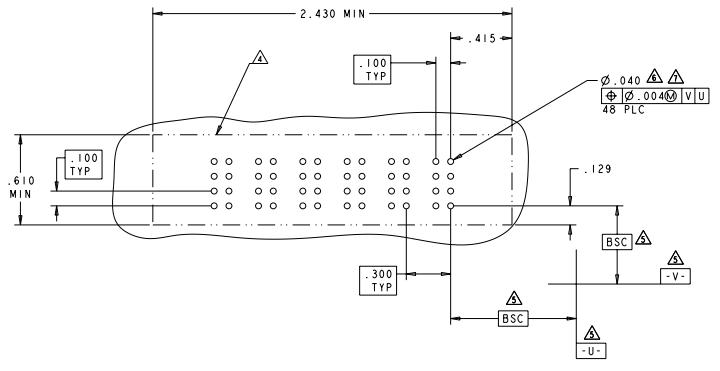
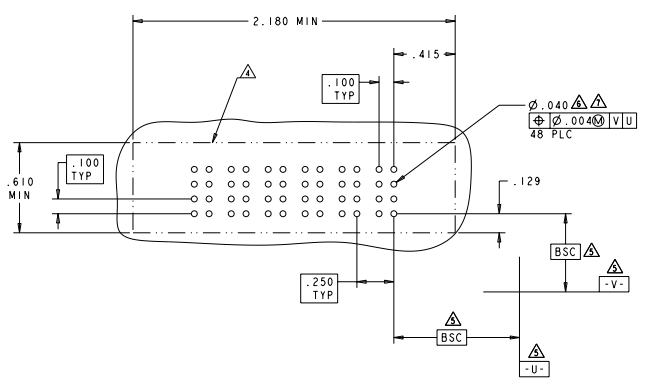
REV. NO.		REVISIONS	
DATE	BY	DESCRIPTION	DATE
00	GP	SEE SHEET 1	



NO CONTACTS LOADED



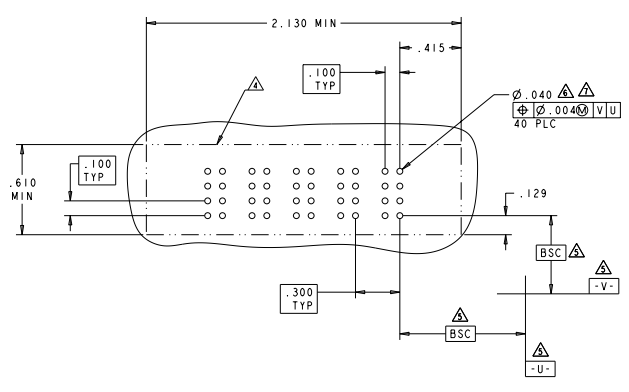
NO CONTACTS LOADED



DIMENSIONS IN INCHES DIMENSIONS IN MILLIMETERS DIMENSIONS IN DECIMALS DIMENSIONS IN FRACTIONS DIMENSIONS IN METERS	DIMENSIONS IN INCHES DIMENSIONS IN MILLIMETERS DIMENSIONS IN DECIMALS DIMENSIONS IN FRACTIONS DIMENSIONS IN METERS	DIMENSIONS IN INCHES DIMENSIONS IN MILLIMETERS DIMENSIONS IN DECIMALS DIMENSIONS IN FRACTIONS DIMENSIONS IN METERS	DIMENSIONS IN INCHES DIMENSIONS IN MILLIMETERS DIMENSIONS IN DECIMALS DIMENSIONS IN FRACTIONS DIMENSIONS IN METERS	DIMENSIONS IN INCHES DIMENSIONS IN MILLIMETERS DIMENSIONS IN DECIMALS DIMENSIONS IN FRACTIONS DIMENSIONS IN METERS	DIMENSIONS IN INCHES DIMENSIONS IN MILLIMETERS DIMENSIONS IN DECIMALS DIMENSIONS IN FRACTIONS DIMENSIONS IN METERS
CUSTOMER DRAWING			CUSTOMER DRAWING		

REVISIONS			
REV	DATE	DESCRIPTION	BY
1		SEE SHEET 1	

PART NUMBER	ROWS	POWER			
		P5	P4	P3	P2
6450553-9	D C B A	GS	GS	GS	GP
SACP					



GENERAL INFORMATION		MATERIALS		DRAWING INFORMATION	
SYMBOL	DESCRIPTION	SYMBOL	DESCRIPTION	REV	DATE
INCHES	0.000125 INCHES	IN. FINISH	0.000125 INCHES	A	00778
PLC	0.000125 INCHES	PLC	0.000125 INCHES	CUSTOMER DRAWING	
PLC	0.000125 INCHES	PLC	0.000125 INCHES	PART NUMBER: 6450553-9	
PLC	0.000125 INCHES	PLC	0.000125 INCHES	TITLE: VERTICAL RECEPTACLE ASSEMBLY WITH GUIDES, PRESS FIT MULTI-BEAM XL	
PLC	0.000125 INCHES	PLC	0.000125 INCHES	SCALE: 1:1	
PLC	0.000125 INCHES	PLC	0.000125 INCHES	SHEET: 5 OF 5	
PLC	0.000125 INCHES	PLC	0.000125 INCHES	DATE: 05/05/05	