

**NOTES:**

- MATERIALS AND FINISHES:**
  - INSULATOR: GLASS FILLED PLASTIC UL 94 V-0 RATED, GREY RAL 7035
  - CONTACTS: COPPER ALLOY, PLATING MATING AREA: 0,8 µM GOLD OVER NICKEL  
PLATING TERMINATION AREA: 0,8-1,5 µM TIN (SN 100)
- ELECTRICAL CHARACTERISTICS:**

**CREEPING AND CLEARANCE DISTANCE, MINIMUM SPACING:**

  - CONTACTS 5-16 TO ANY OTHER CONTACT WITHIN THIS GROUP: 0,7 MM
  - CONTACTS 17-24 TO ANY OTHER CONTACT WITHIN THIS GROUP: 2,5 MM
  - CONTACT 25 TO 26: 5,5 MM
  - CONTACTS 27-34 TO ANY OTHER CONTACT WITHIN THIS GROUP: 1,4 MM
  - CONTACTS 13-16 TO 17-20: 3,0 MM
  - CONTACTS 21-24 TO 25-26: 4,0 MM
  - CONTACTS 25-26 TO 27-29: 2,0 MM

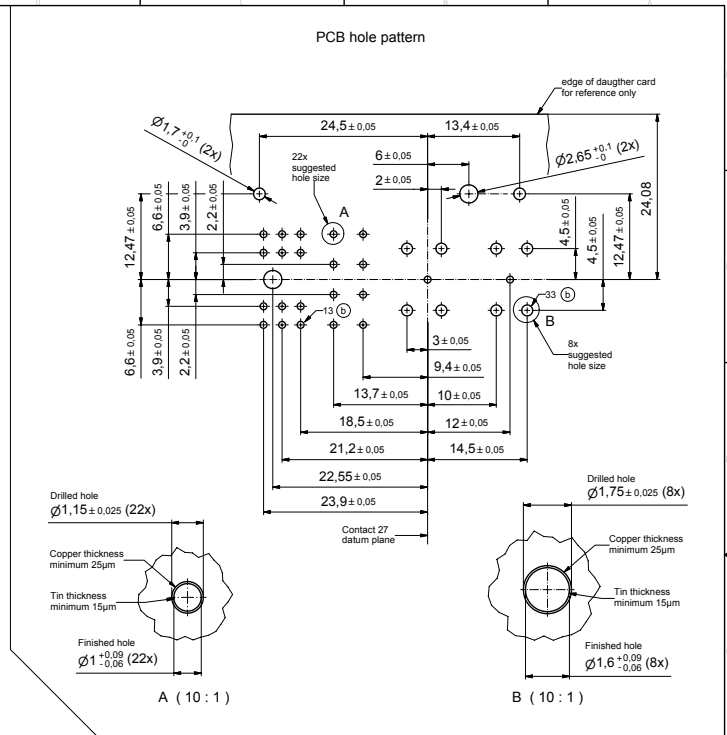
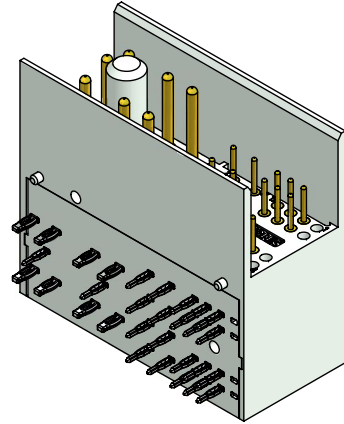
**CONTACT CURRENT RATING:**

  - POWER CONTACTS: 16 AMPERES MINIMUM, TESTED PER CSA C22.2 NO. 182.3-M1987, ALL CONTACTS UNDER LOAD
  - SIGNAL CONTACTS: 2 AMPERES NOMINAL

**INITIAL CONTACT RESISTANCE PER IEC 512-2, TEST 2b:**

  - POWER CONTACTS: 0,0022 OHM MAX.
  - SIGNAL CONTACTS: 0,0085 OHM MAX.

**INSULATION RESISTANCE: 5 G OHM PER IEC 512-2, TEST 3a, METHOD A**
- POSITIONS WITHOUT CONTACTS: 1, 2, 3, 4**
- WORKING TEMPERATURE: -55°C TO +125°C**
- PRESS-FIT PART OF CONTACTS ARE PATENT PROTECTED**
- CONNECTOR IS PART MARKED: [PART-NO., CONEC, ABC]**



quantity	part description	item	part no. / norm	material
1	Fixing plate	13		
5	Signal contact type 7	12		
3	Signal contact type 6	11		
2	Signal contact type 5	10		
2	Signal contact type 4	9		
2	Signal contact type 3	8		
3	Signal contact type 2	7		
5	Signal contact type 1	6		
3	Power contact type 4	5		
1	Power contact type 3	4		
3	Power contact type 2	3		
1	Power contact type 1	2		
1	Case 34pos. male	1		

finish:	tolerance	scale:
see notes	ISO 2768-m	2,5:1 (10:1)
		material: see notes

drawn	date	name	title:
Markkopf	22.08.05	Külle	MALE CONNECTOR 30pos.
			PRESS-FIT ANGLED
			AdvancedTCA

rev	description	date	name	dwg no.:	INVENTOR	DIN-A2
2 x B	A:2592	23.10.06	HS			

**CONEC**

part no: 46K2A005

part no: ATC30W08MAE1SSX

