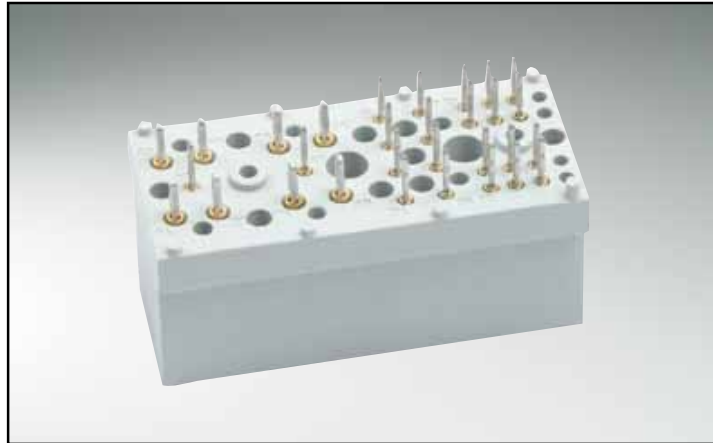


ADVANCEDTCA

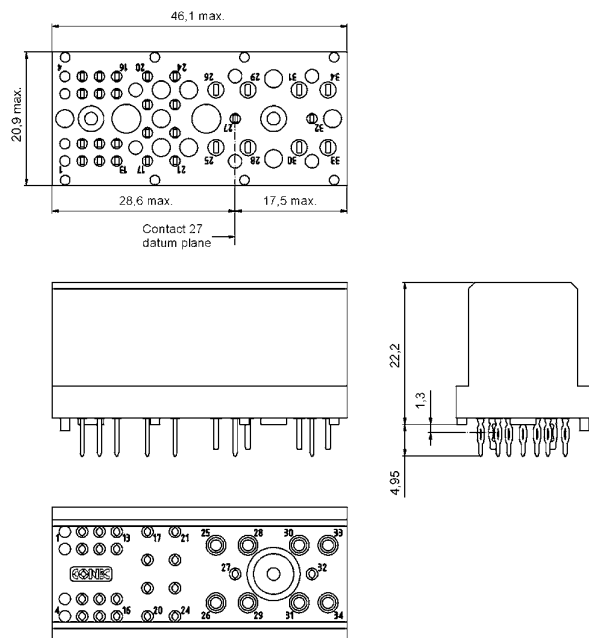
Female Connector – Precision machined contacts



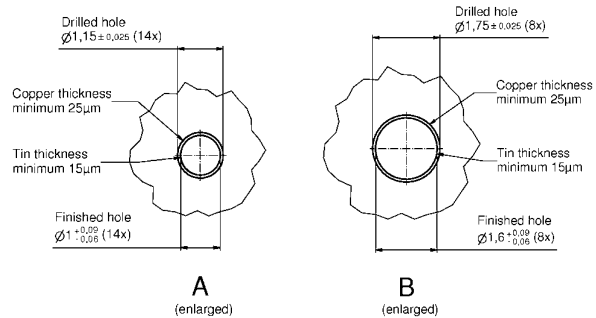
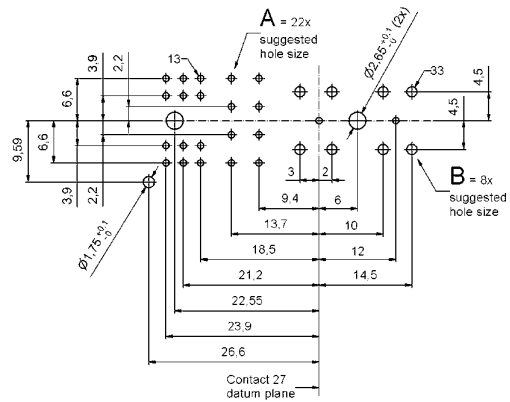
DESCRIPTION

- Press-Fit straight
- 30-position
- Position 1 - 4 no contacts
- Back plane connector

PRODUCT DRAWING



PCB-HOLE PATTERN



ORDER DATA

Number of Positions	Plating mating area / termination area	Part Numbers
30	gold flash / tin	ATC30W08FGE3S5X
30	30 micro inch / tin	ATC30W08FGE1S5X